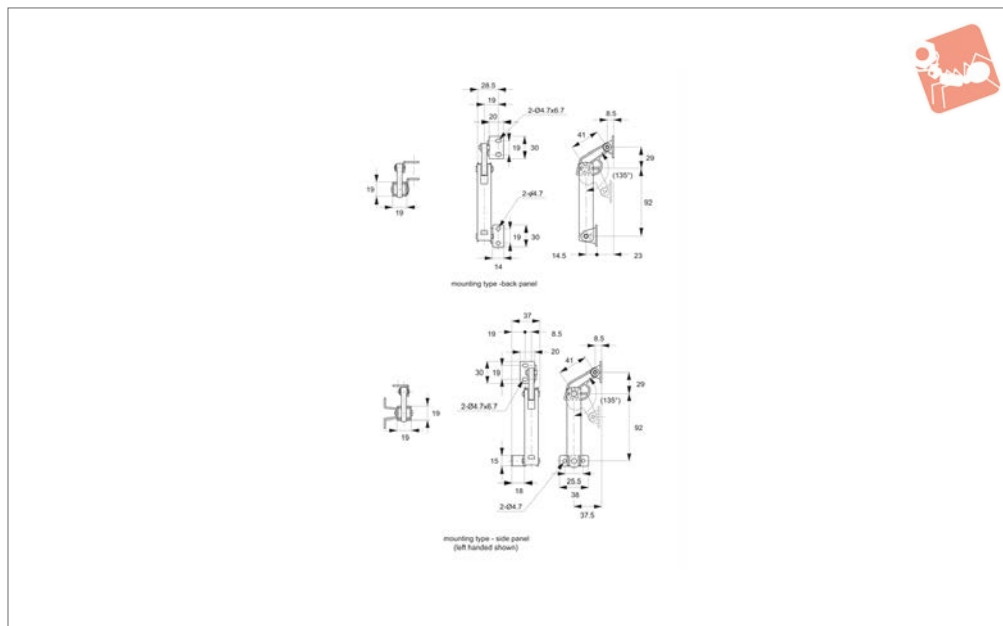




Spring Loaded Lid Stay

stainless steel

Soft & Spring Stays



N0020

SOFT & SPRING STAYS

Material

Body: stainless steel, AISI 304.
Arm: polyacetal

holds lid in open position. Mounting possible via side mounting (right or left) or via mounting to back panel of lid/frame.

For applications, refer to max. torque values.

Check Max. Torque (T):
 $T \text{ (Max. Torque Valve of Stay Kg/cm)} = \frac{1}{2} \text{ Door Height cm} \times \text{Door Weight Kg.}$

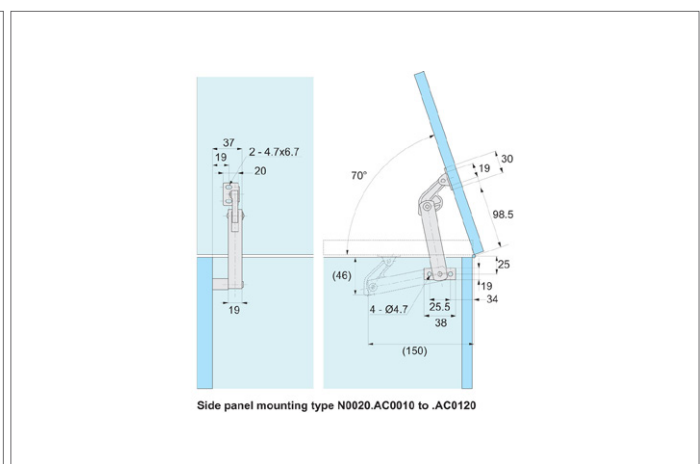
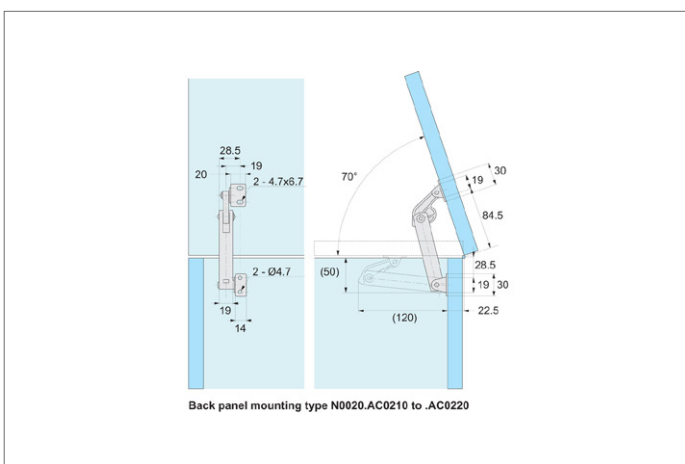
Technical Notes

Spring mechanism assists lifting of lid, and

Tips









Suitable for light/medium duty applica-

Order No.	Hand	Mounting type	Spring tension	Torque kg/cm max.	Weight g
N0020.AC0010	Right	Side	Soft	30	118
N0020.AC0020	Right	Side	Hard	40	118
N0020.AC0110	Left	Side	Soft	30	118
N0020.AC0120	Left	Side	Hard	40	118
N0020.AC0210	Non-handed	Back Panel	Soft	30	118
N0020.AC0220	Non-handed	Back Panel	Hard	40	118





SOFT & SPRING STAYS

	Mounting			Lid Orientation			Stop Type	Material		Heavy Duty	Max Load Per Single Piece Kg.cm	Retracted Length mm	Max. Length Extended mm	Max Angle
	Right	Left	Universal	Upward	Top (box lid)	Downward		Steel	Stainless Steel					
N0020 	✓	✓		✓			Spring Loaded	✓			30-40	120	151	70°
N0024 			✓	✓			Spring Loaded	✓			90-120	125	158	80°
N0026 			✓	✓			Spring Loaded	✓			90-120	125	158	80°
N0500 			✓	✓			Ratchet	✓			15	148-205	195-290	75-120°
N0550 			✓	✓			Ratchet	✓	✓		20-30	163-305	200-500	80°
N0600 	✓	✓		✓			Multi-stop	✓	✓		70	230-280	350-450	90°
N0620 			✓	✓			Ratchet	✓			15	153	215	90°
N0640 			✓	✓			Mechanical Lock-Pull Release	✓			30	133-170	195-270	90°