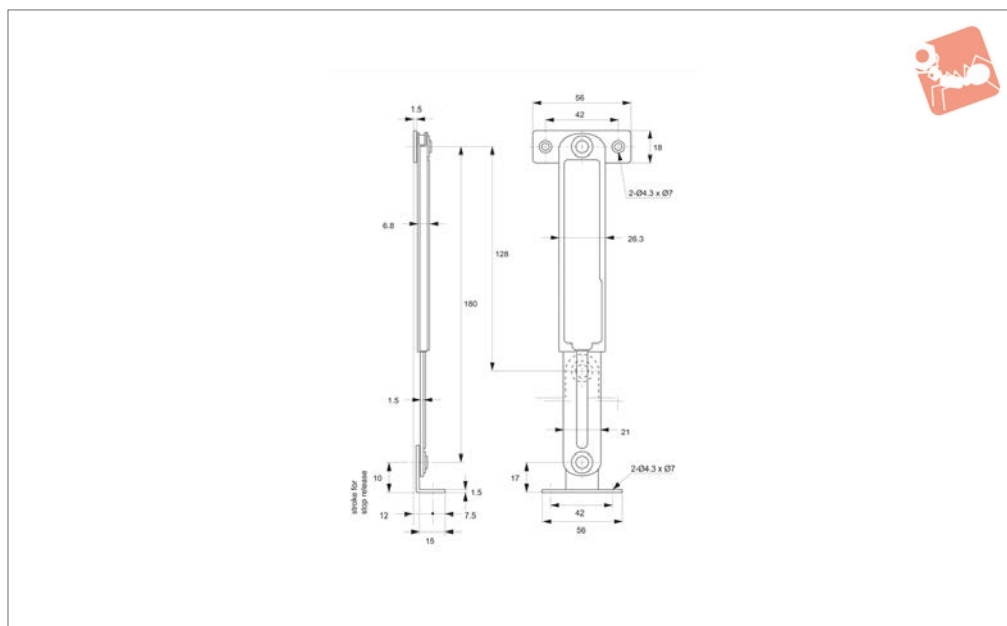




# Lid Stays - Multi-Stop

stainless steel

## Lid & Door Stays



### N0700

LID & DOOR STAYS

#### Material

Body: stainless steel, AISI 304, satin finish.

#### Technical Notes

Universal for right and left hand application. Screws not included. Ratchet

mechanism allows lid to stop when released during opening motion.

Order No.	No. of stop positions	Load kg max.	Weight g
N0700.AC0010	15	7	127