

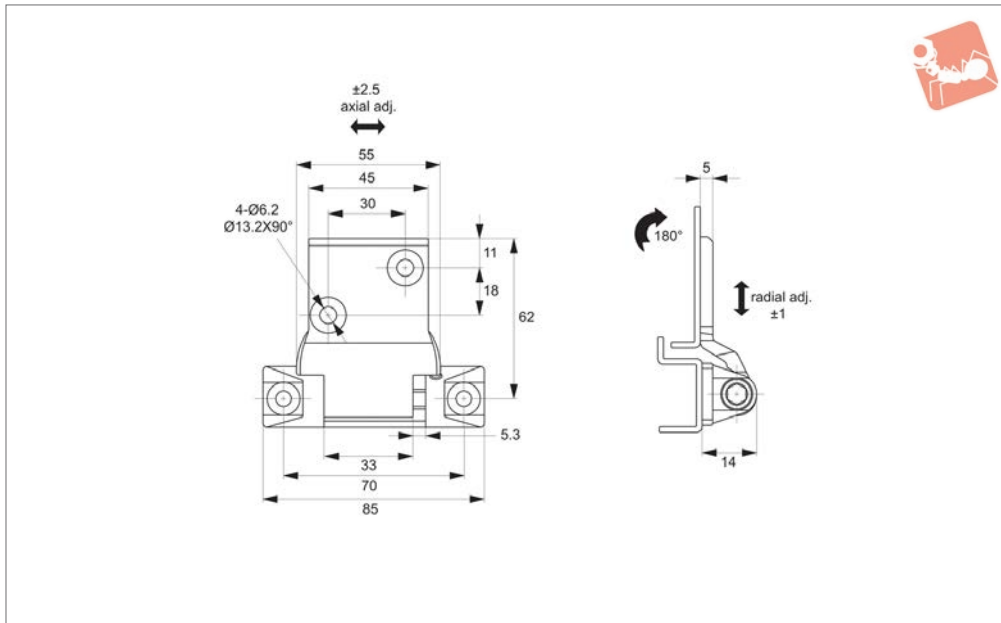


# Surface Mount - HVAC Applications

axial adjustment - screw mount - zinc



## Hinges



**S1806**

HINGES

**Material**

Die cast zinc, black powder coated .  
Shaft: stainless steel AISI 304.  
Bearing: delrin plastic.

**Technical Notes**

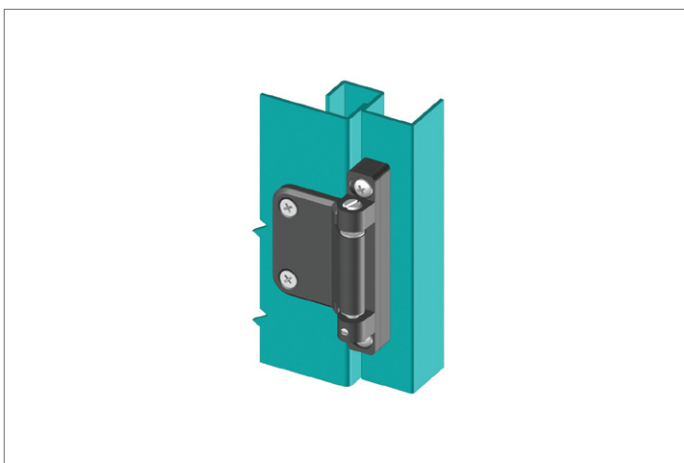
Ideal for heating and ventilation applica-

tions, for use on flat panels and covers.  
Increase off-set via use of additional  
spacers, for your own design (not  
supplied).  
Mounting via M5 screws.  
Max. opening angle 180°.

**Tips**

Maximum 5.3mm axial adjustment.

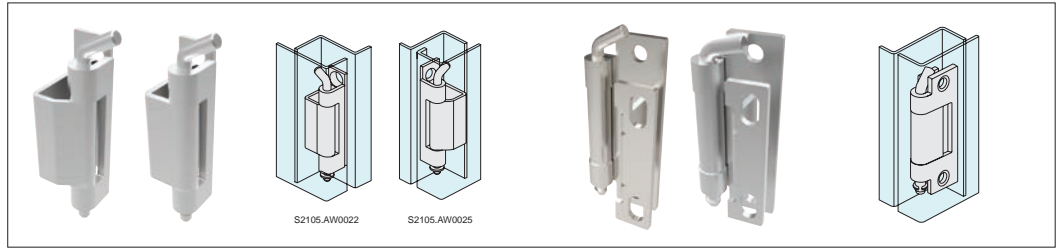
Order No.	Type	Finish	Size	F <sub>x</sub> kN	F <sub>y</sub> kN	Opening angle
S1806.AW0010	Left Hand	Black coated	85 x 77	1.5	1.3	180°
S1806.AW0020	Right Hand	Black coated	85 x 77	1.5	1.3	180°



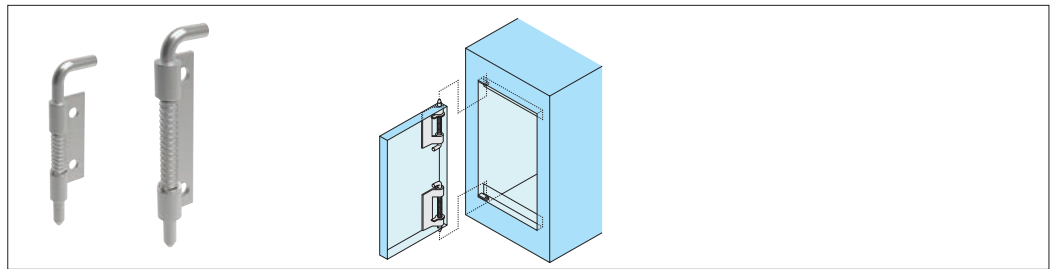


## Concealed hinges

For added security or a sleek enclosure design, concealed hinges offer the solution with mounting discreetly hidden away from view to avoid tampering.



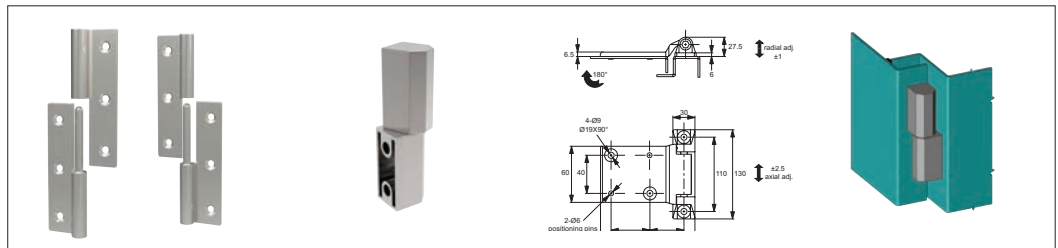
Concealed pivot hinges



End mount concealed pivot hinges

## Door removal hinges

Door removal or lift-off hinges simplify removal of covers and panels to ease access for maintenance and repair, available in a selection of materials.



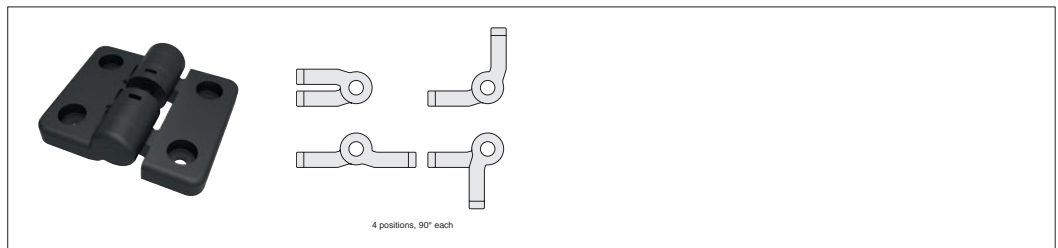
Lift off hinges

## Torque and positioning hinges

Torque and positioning hinges offer positive location of panels, screens and displays using constant friction for a firm hold.



Constant torque hinges



Detent positioning hinges



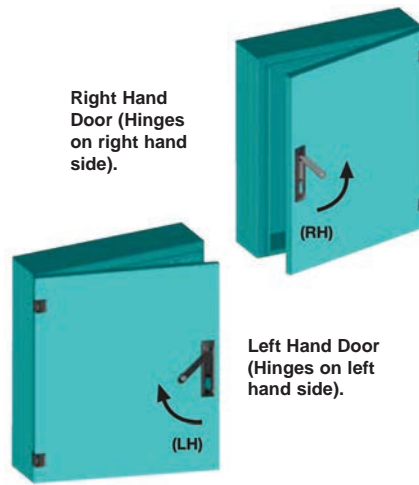
Wixroyd have a diverse range of hinges to suit most industrial applications in a wide range of materials and finishes.

Throughout our catalogue we refer to parts as being of a "Left" or "Right" type or hand. Which type you need, is most easily explained as follows;

Oriente your application so that when opened the door/panel comes towards you. With this orientation in mind, look to see on which side of the door/panel the hinges are mounted?

If the hinges are on the left side of the door/panel then you require "Left" type products. If the hinges are on the right side of the door/panel then you require "Right" type products.

The illustration on the right clearly indicates the layout and orientation of the door where a "left" or "right" product is used.

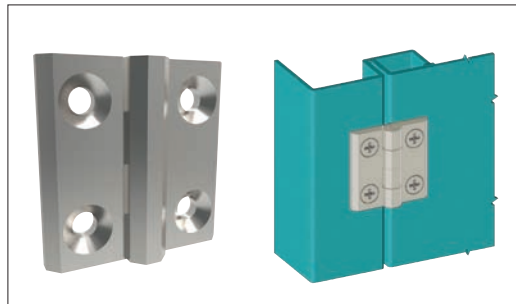


**Left or right type:  
Which do you need?**

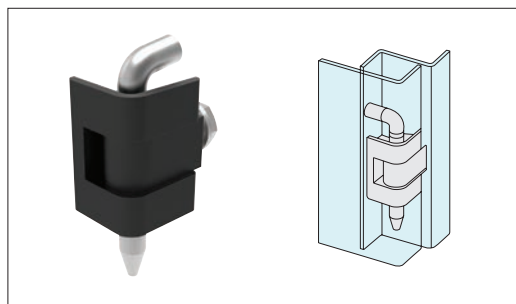
## Hinges

External or surface mount hinges have a wide range of application on electrical panels, sheet metal enclosures, generators and heating and venting applications.

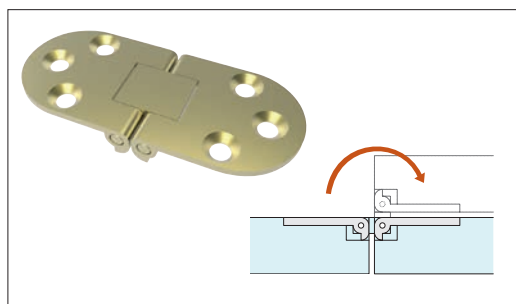
## External hinges



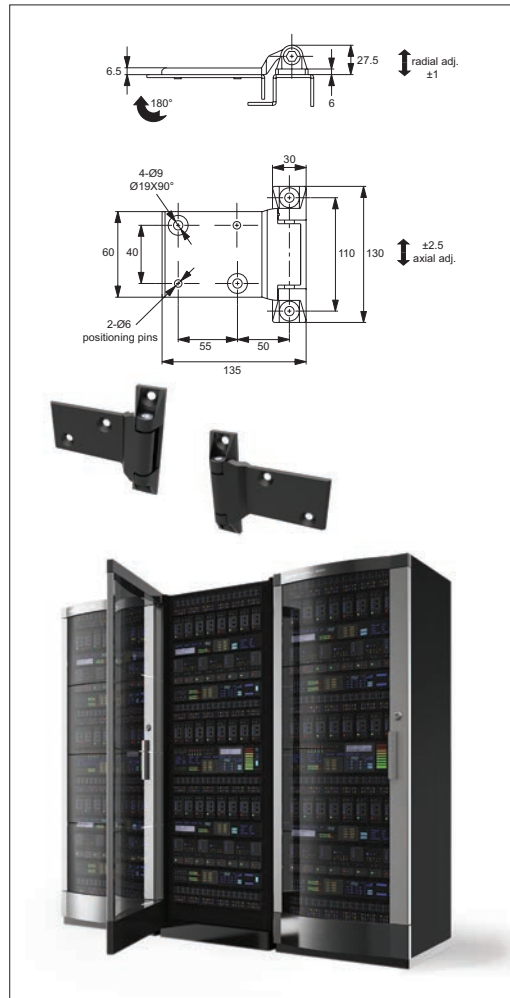
Surface mount hinges



Corner hinges



Flush mount hinges



Surface mount hinges

HINGES

ov-WS0050-A-T-WS2300-A-TH1200-wide-range-of-solutions-b-rnh - Updated - 01-11-2022