

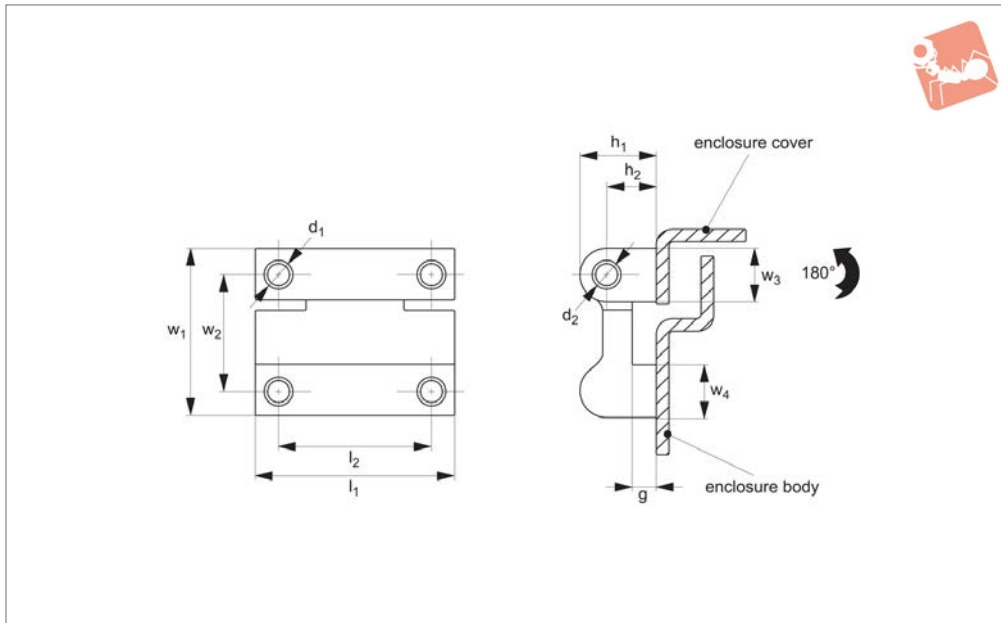


# Surface Mount - Off-Set - Mount

bolt-on - zinc



## Hinges



**S2017**

HINGES

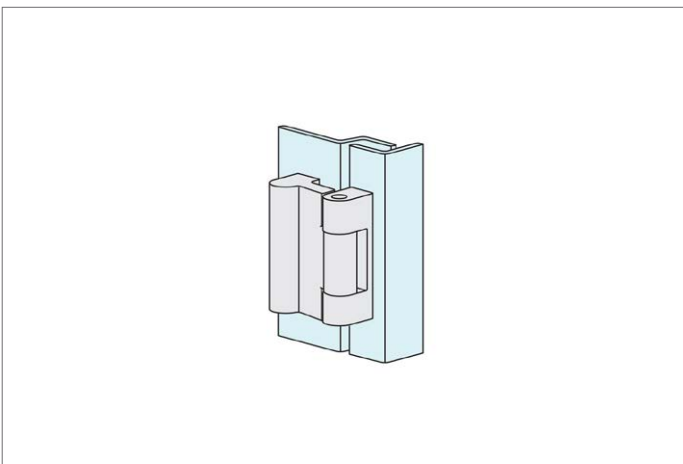
### Material

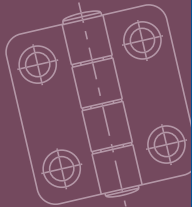
Body: die cast zinc, black powder coated.  
Pin: steel, nickel plated.

### Technical Notes

Opening angle 180°. Mounting via M4 screws.

Order No.	Finish	$h_1$	$h_2$	$l_1$	$l_2$	$w_1$	$w_2$	$w_3$	$w_4$	$F_x$ N	$F_y$ N	$d_1$	$d_2$	g off set
<b>S2017.AW0030</b>	Black Powder Coated	11.5	7.5	30	23	26	18	8	8	1150	700	M 4	4	3.5

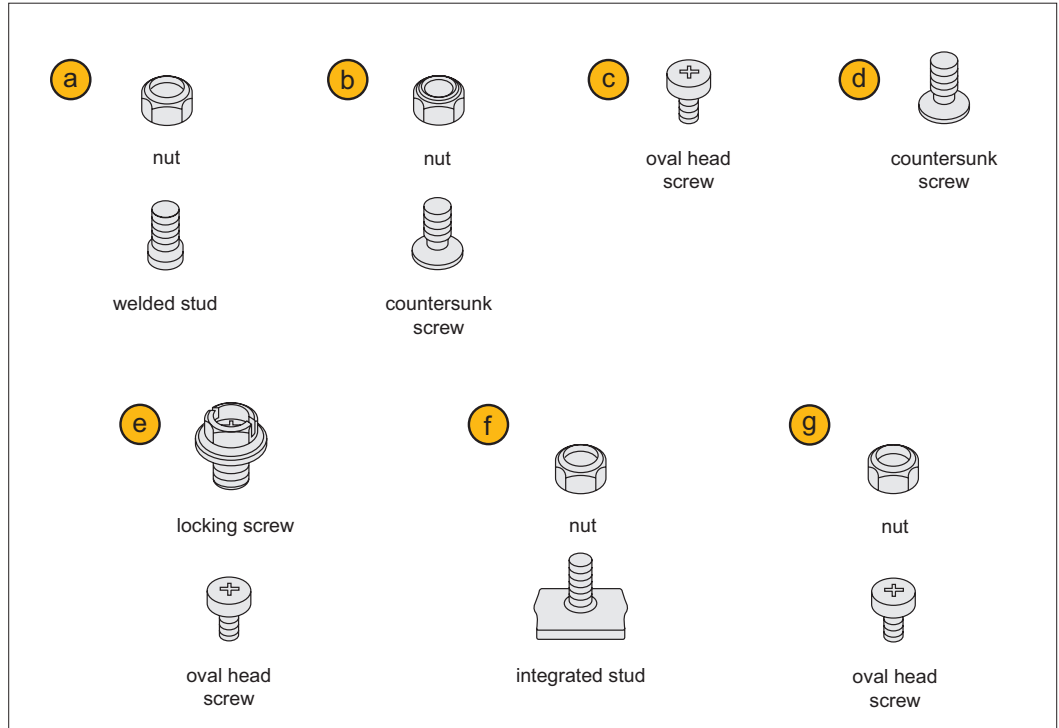




### A variety of mounting methods are available!

#### Mounting combinations

Wixroyd concealed hinges can be mounted in a variety of ways using additional nuts and bolts.



**Important Note:** Refer to individual product pages for suitable mounting options. If you have any problems please contact our Technical Sales Team.

#### Mounting example

In the example, mounting option ②, a nut with a countersunk screw, is used to mount the hinge onto the enclosure body.

