

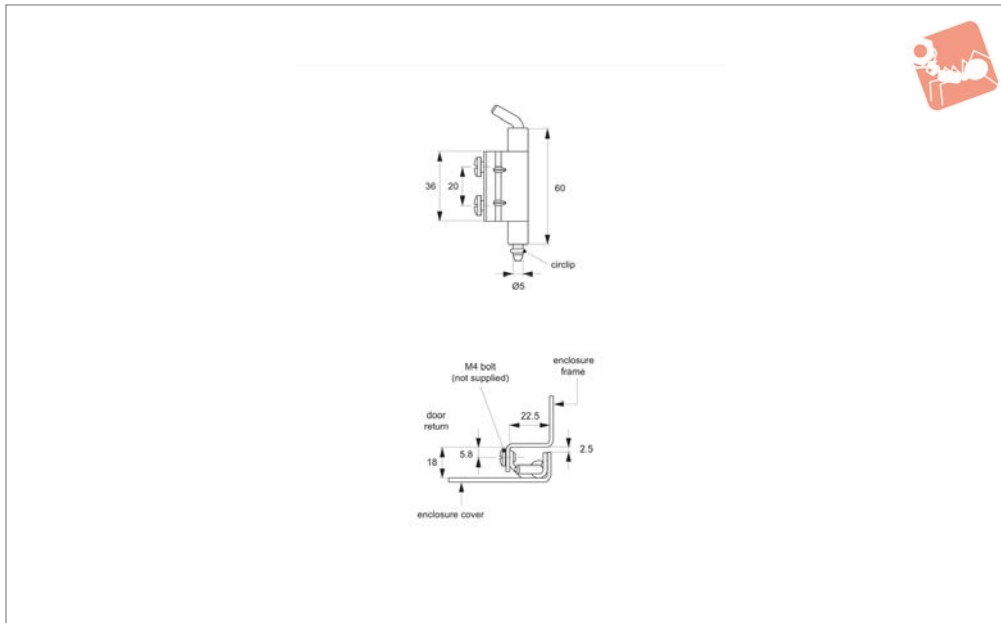


# Concealed Pivot Hinges - Lift Off

20 mm door return - weld or stud - steel



Hinges



**S2104**

HINGES

**Material**

Steel and stainless steel (304 and 316).

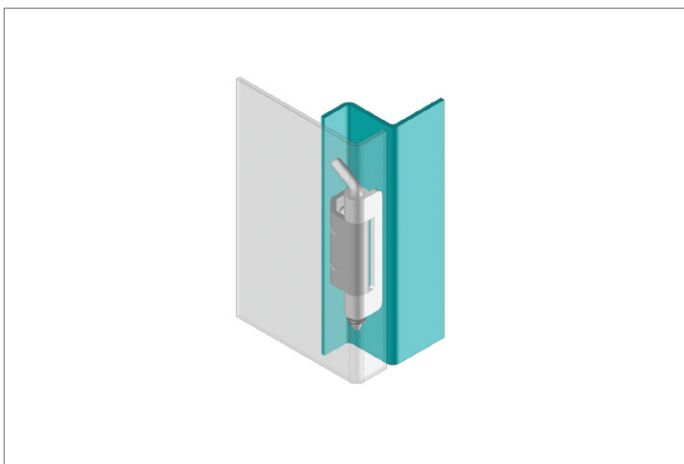
**Technical Notes**

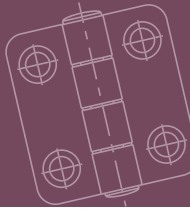
Suited to sheet metal and machine enclos-

ures with door return. Main body mounted via two M 4 screws. Hinge plate either welded or screwed to enclosure body. Removable hinge pin enables easy installa-

tion and is held in place via circlip. Max. opening angle 120°.

Order No.	Material	Door return	Size	F <sub>x</sub> N	F <sub>y</sub> N
S2104.AW0020	Steel	20	60 x 22,5 x 20	280	250
S2104.AW0120	304 Stainless	20	60 x 22,5 x 20	-	-
S2104.AW0220	316 Stainless	20	60 x 22,5 x 20	-	-

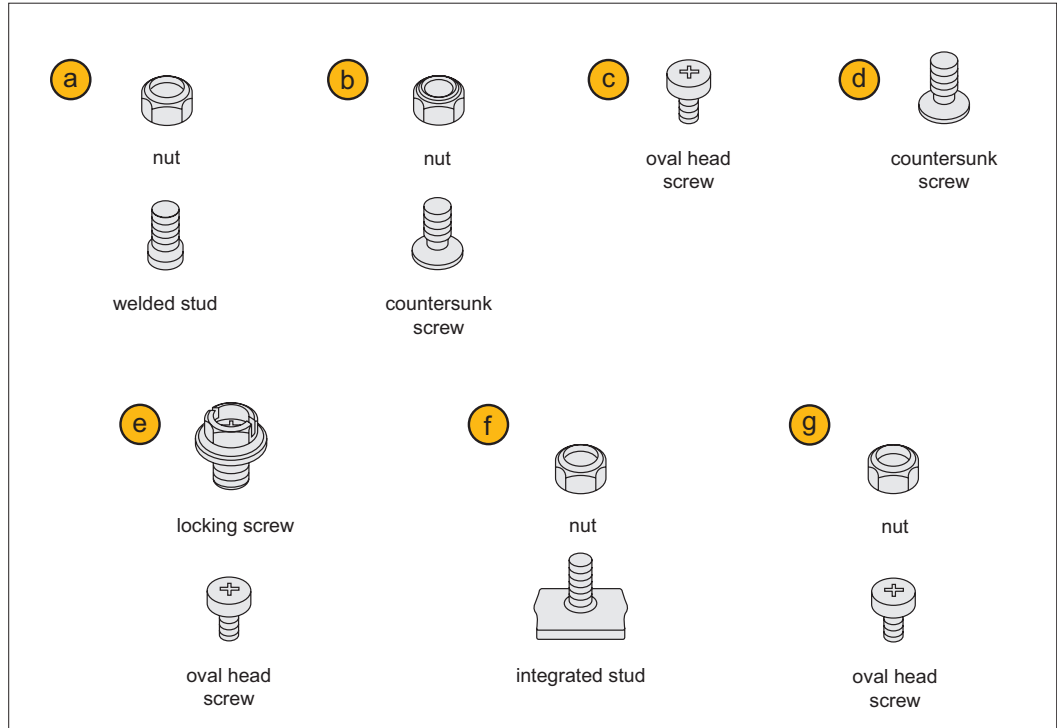




### A variety of mounting methods are available!

#### Mounting combinations

Wixroyd concealed hinges can be mounted in a variety of ways using additional nuts and bolts.



**Important Note:** Refer to individual product pages for suitable mounting options. If you have any problems please contact our Technical Sales Team.

#### Mounting example

In the example, mounting option ②, a nut with a countersunk screw, is used to mount the hinge onto the enclosure body.

