

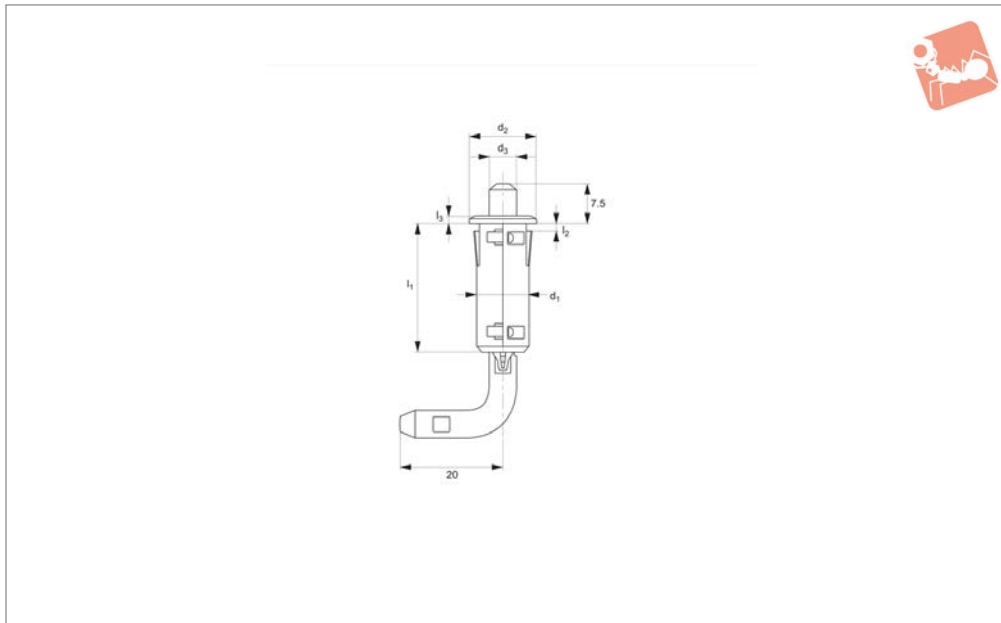


End Mount Concealed Pivot Hinge

spring loaded - snap fit - polyamide



Hinges



S2212

HINGES

Material

Body: polyamide, black PA 6 GRF30.
 Pin: stainless steel.
 Latch: die cast zinc, white zinc plated.

very covers. Clip fix for easy assembly.
 Pull back pin lever, hinge pin is retracted.
 Release pin lever and hinge pin springs
 back. Opening angle 180°.

easy assembly and disassembly of panel/
 door, ideal for maintenance covers.
 Max. opening angle 110°.

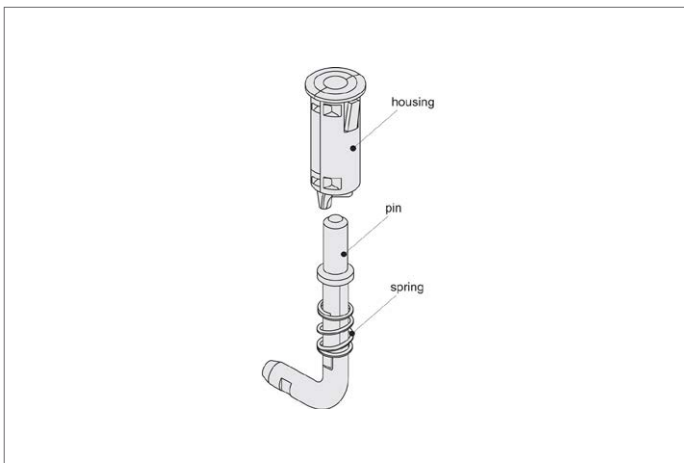
Technical Notes

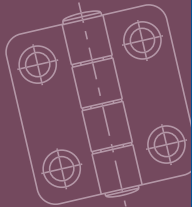
For sheet metal doors, cabinets and machi-

Tips

Spring loaded feature of hinge enables

Order No.	l_1	d_1	d_2	d_3	l_2	l_3
S2212.AW0005	24.5	10	13	5	7.5	1.5

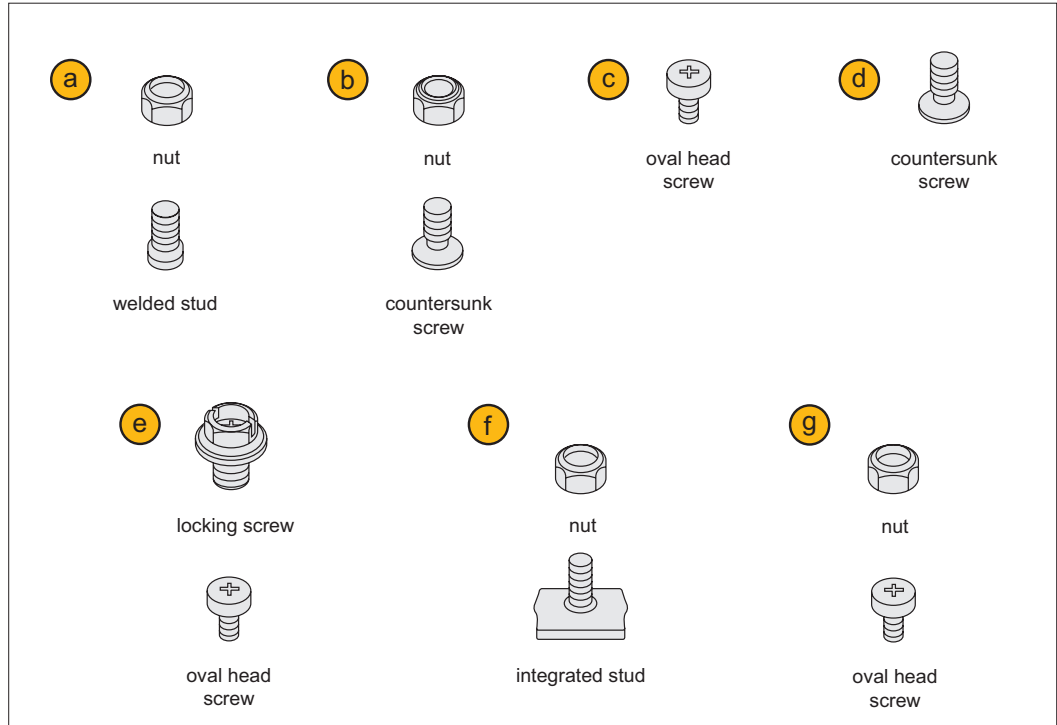




A variety of mounting methods are available!

Mounting combinations

Wixroyd concealed hinges can be mounted in a variety of ways using additional nuts and bolts.



Important Note: Refer to individual product pages for suitable mounting options. If you have any problems please contact our Technical Sales Team.

Mounting example

In the example, mounting option ②, a nut with a countersunk screw, is used to mount the hinge onto the enclosure body.

