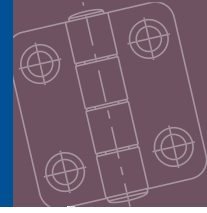


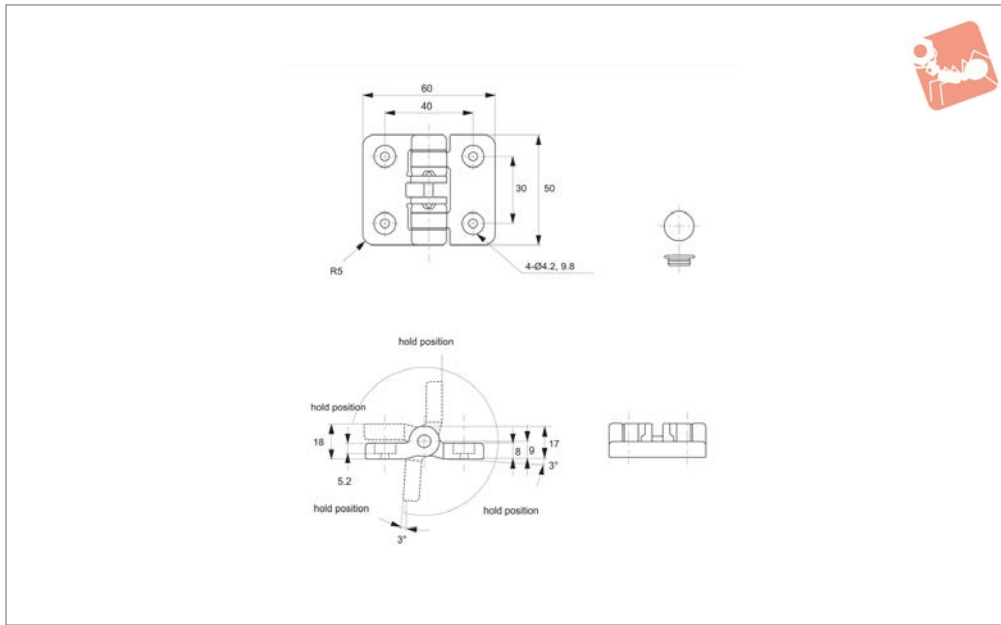


Detent Positioning Hinges

screw mount - plastic



Hinges



S4100

HINGES

Material

Body: polyacetal.
Caps: polypropylene.
Pin: AISI 304 stainless steel.

without secondary mechanical support.
Holding force approx. 5Kgf.cm.

Tips

Suitable for medical, food processing and factory automation machines.

Technical Notes

Holds doors open at 4x90° positions

Order No.	Colour	Weight g
S4100.AC0010	Ivory	30
S4100.AC0020	Black	30

