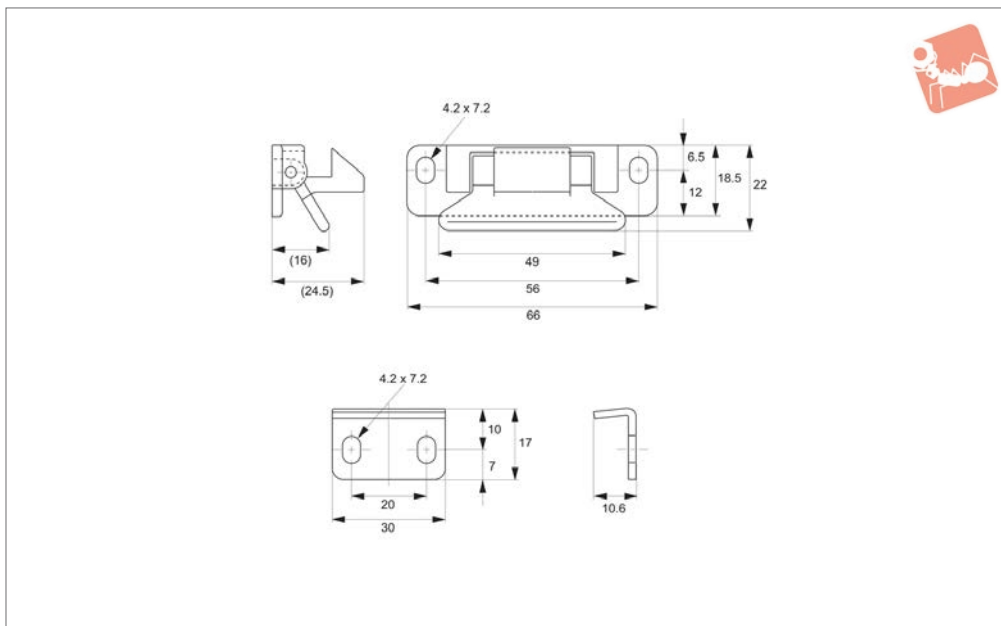




Lever Catches

finger tip control

Catches & Latches



E2001

CATCHES & LATCHES

Material

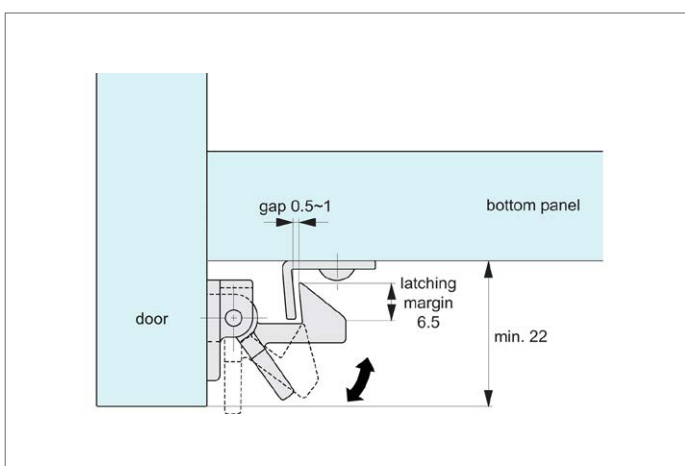
Body: polyamide.
Counterplate: steel.

Technical Notes

Designed for use on door/ panel without handle or knob, to provide concealed

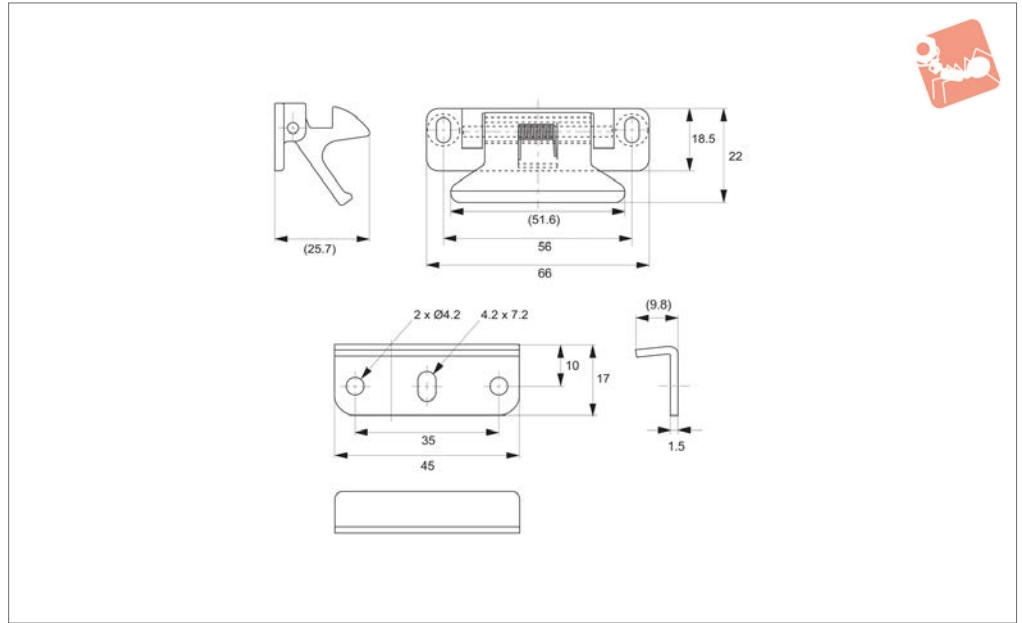
locking of panel.
Screws not supplied.

Order No.	Finish	Holding force kg	Weight g
E2001.AC0010	White	20	25
E2001.AC0020	Brown	20	25





E2002

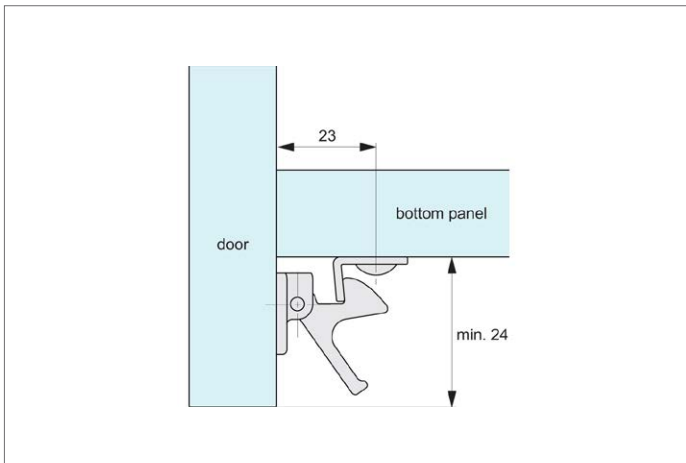


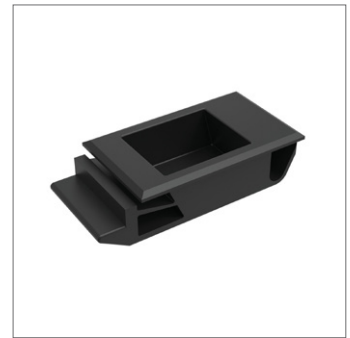
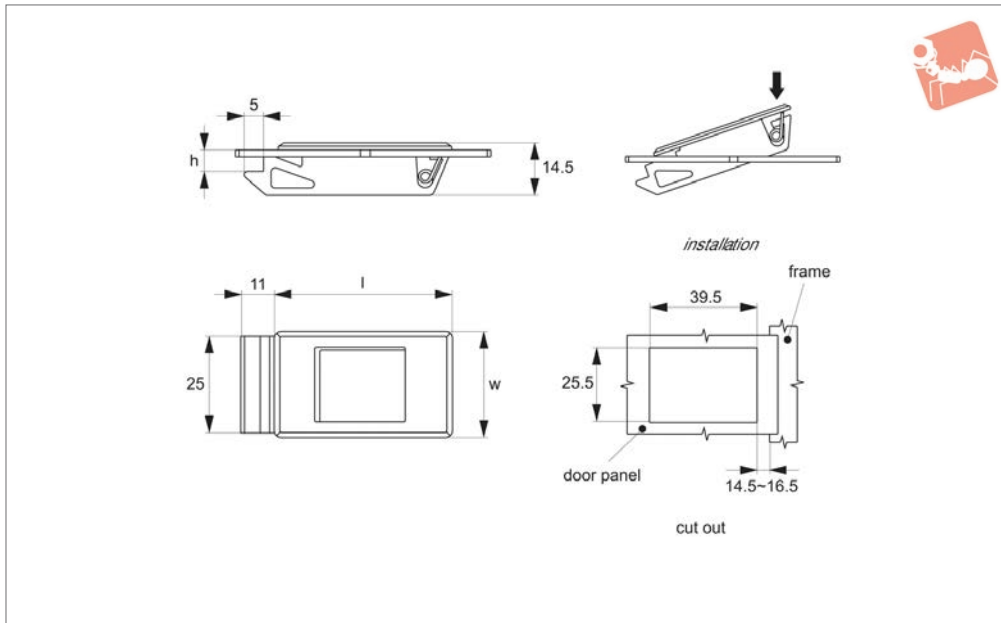
Material
Stainless steel, AISI 316.

Technical Notes
Screws not supplied.

This lever catch is designed for use on door without knob or handle, to provide concealed latching and securing of panel.

Order No.	Finish	Holding force kg	Weight g
E2002.AC0530	Stainless Steel	20	85





E2021

CATCHES & LATCHES

Material

ABS plastic resin, stainless steel spring.

2mm. Ideal for small metal machinery covers.

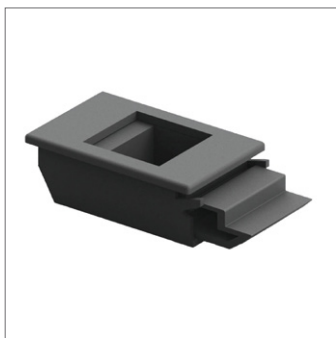
Technical Notes

Suitable for panel thickness 1.5mm or

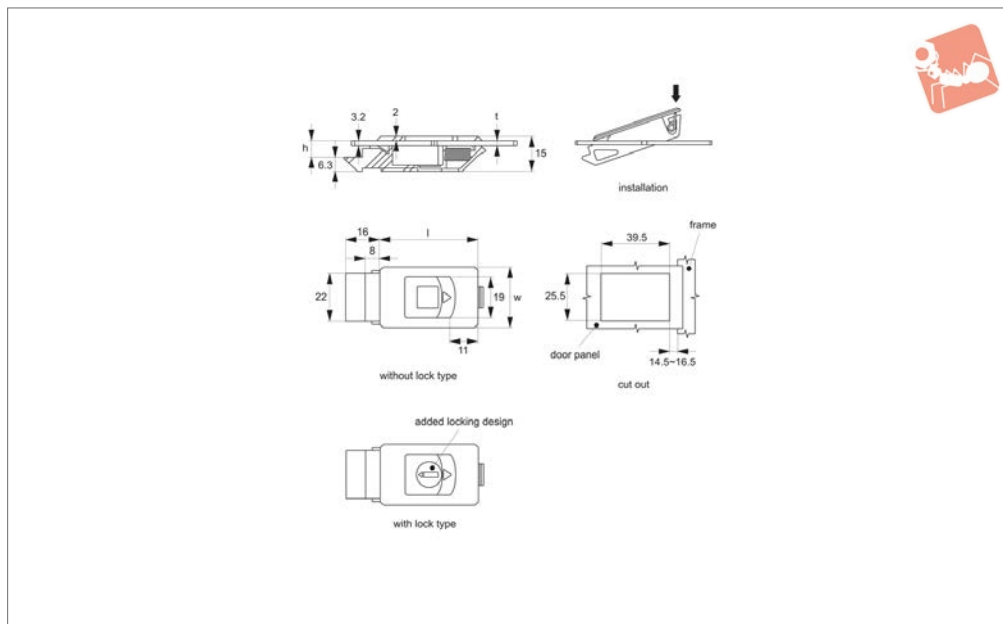
Pull back latch to open panel, release and latch is returned due to internal spring.

Order No.	Colour	For panel thickness	h grip length	l	w
E2021.AW0010	Grey	1.5	6	47	28
E2021.AW0020	Black	1.5	6	47	28
E2021.AW0310	Grey	2.0	6	47	28
E2021.AW0320	Black	2.0	6	47	28





E2031



Material

ABS plastic and stainless steel spring.

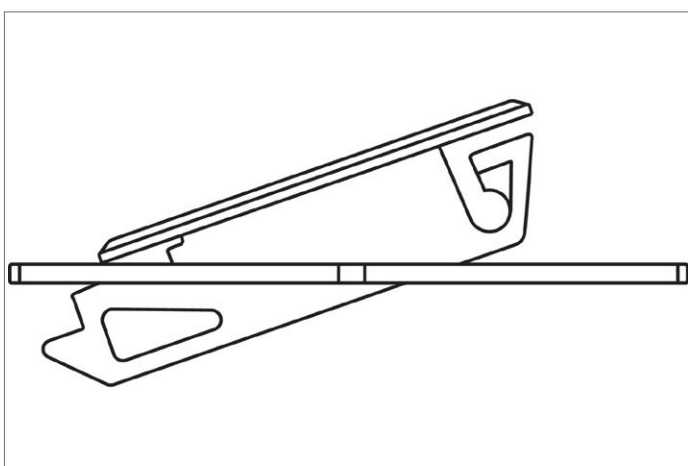
Technical Notes

Ideal for small metal machinery covers.

Uniquely different from our standard slide latch E2021 in the addition of an internal release catch - hence this latch does not slide over surface in order to actuate.

Suitable for panel thickness 1 - 2 mm.

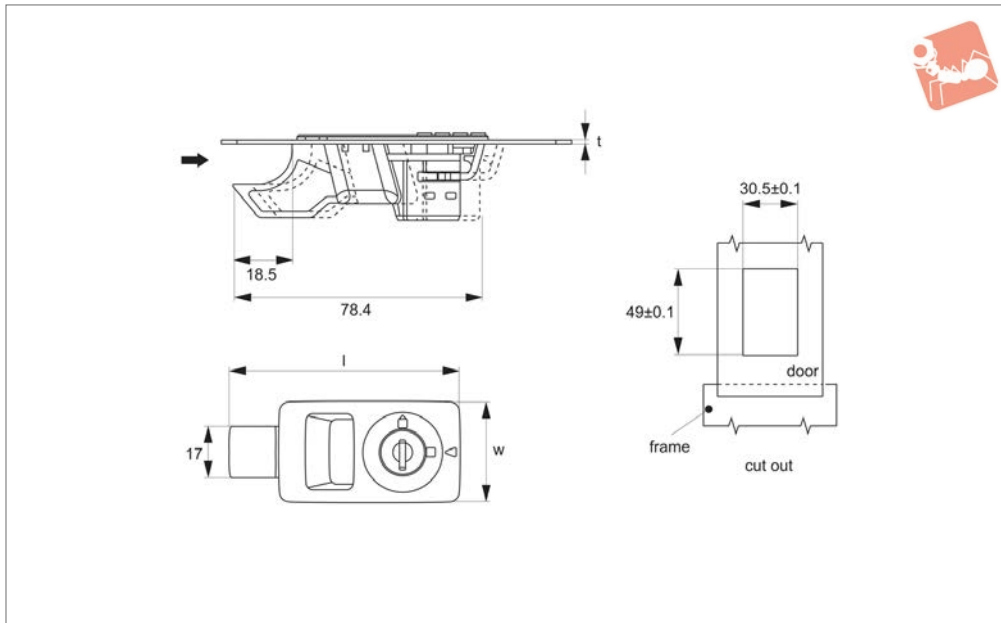
Order No.	Colour	Type	Panel thickness min. max.	h grip length	l	w
E2031.AW0010	Grey	W/o Lock	1-2	6.7	45	28
E2031.AW0020	Black	W/o Lock	1-2	6.7	45	28
E2031.AW0310	Grey	With Lock	1-2	6.7	45	28
E2031.AW0320	Black	With Lock	1-2	6.7	45	28





Touch Latches - Flush snap-in installation - with secondary lock

Catches & Latches



E2034

CATCHES & LATCHES

Material

ABS material, black.

Supplied with: Key.

Technical Notes

Suitable for panel thickness 1.8 - 2.1mm.

Insert and turn key 90° to retract cam and release. Cam stroke of 6,5mm.

user.

Tips

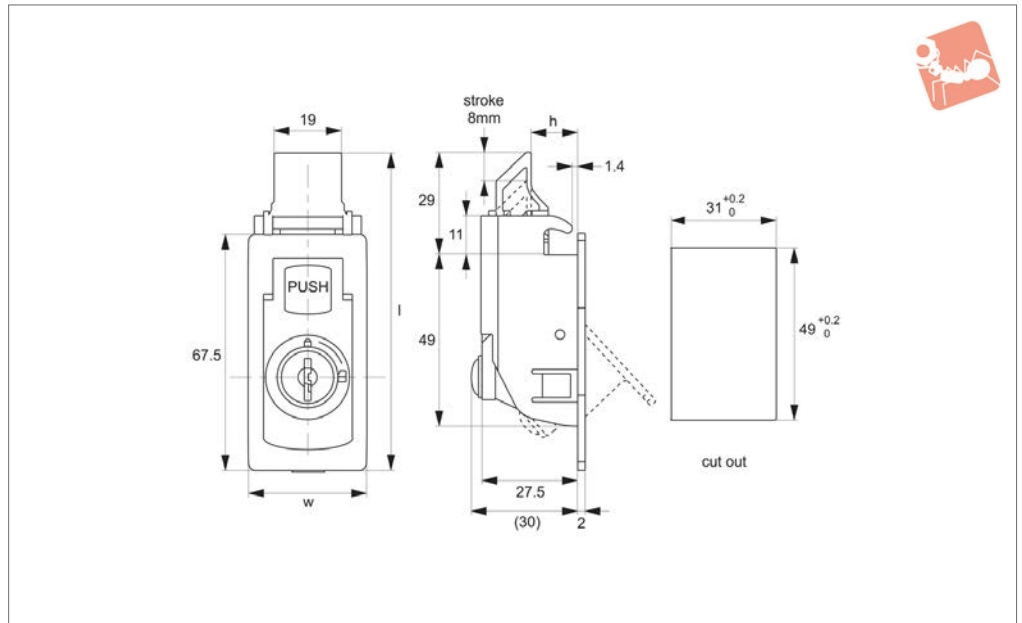
Ideal for small metal machinery covers.

Not included: Catch plate - designed by

Order No.	Type	t panel thickness min. max.	l	w	Catch stroke
E2034.AW0010	With Lock	1,8 - 2,1	75.8	34	6.5



E2036



Material

Polyamide, plastic (PA), black
Supplied with: Keys: two per lock.

Tips

Insert key, turn 90° to release handle, depress handle as indicated to lift handle

and release cam. Ideal for small metal machinery covers. Cam has stroke of 8mm.

Order No.	Type	Panel thickness	h grip length	l	w	Catch stroke
E2036.AW0010	With Lock	1.4	13.3	90.55	34	8