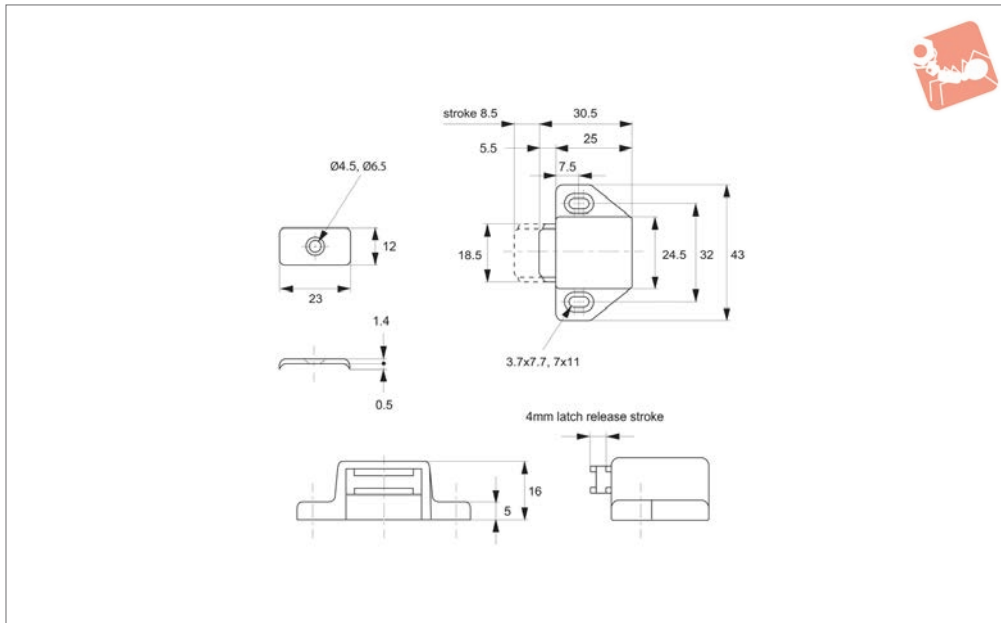




# Magnetic Touch Latches for overlay doors

## Catches & Latches



### E5000

CATCHES & LATCHES

#### Material

Body: ABS plastic.  
Latch and counter plate: steel, nickel plated.

#### Technical Notes

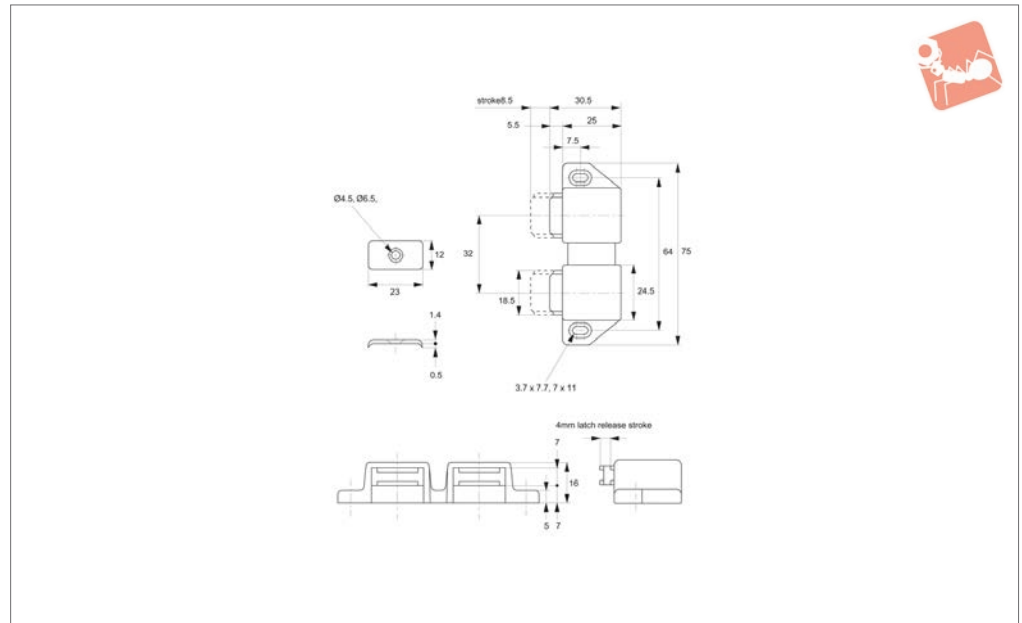
For overlay doors a 4mm gap between the door and cabinet frame is required for the latch release stroke.

Supplied with screws (3.1x13).

Order No.	Finish	Magnetic force kgf	Weight g
E5000.AC0010	White	1.2	22.5
E5000.AC0030	Brown	1.2	22.5



**E5100**



**Material**

Body: ABS plastic.  
Latch and counter plate: steel, nickel plated.

**Technical Notes**

For overlay doors a 4mm gap between the door and cabinet frame is required for the latch release stroke.

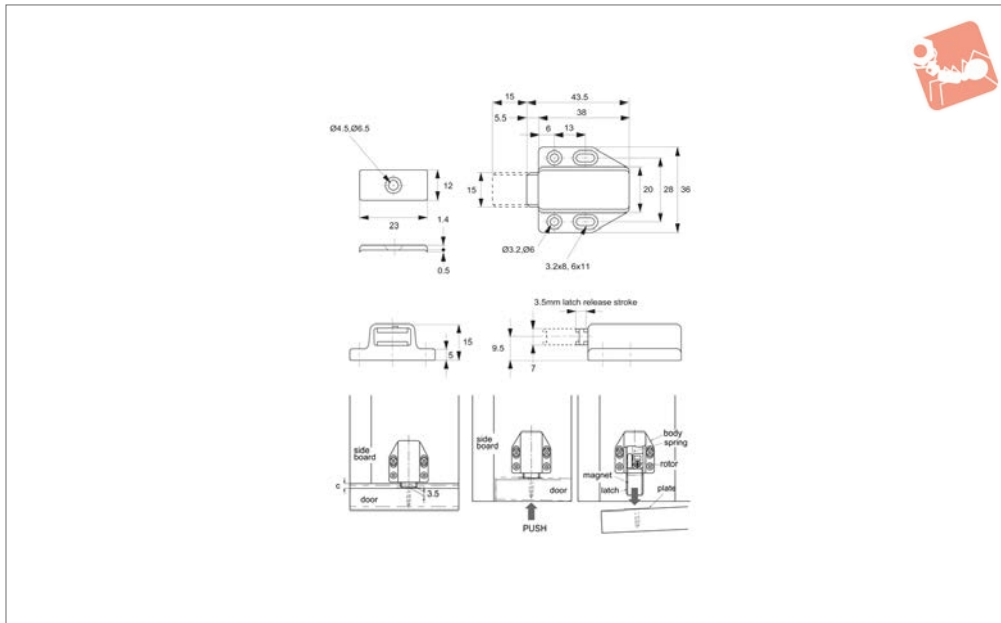
Supplied with screws (3.1x13).

Order No.	Finish	Magnetic force kgf	Weight g
E5100.AC0010	White	1.2	42
E5100.AC0030	Brown	1.2	42



# Magnetic Touch Latches for overlay doors

## Catches & Latches



**E5200**

CATCHES & LATCHES

### Material

Body: ABS plastic.  
Latch and catch plate: steel, yellow zinc chromate.

### Technical Notes

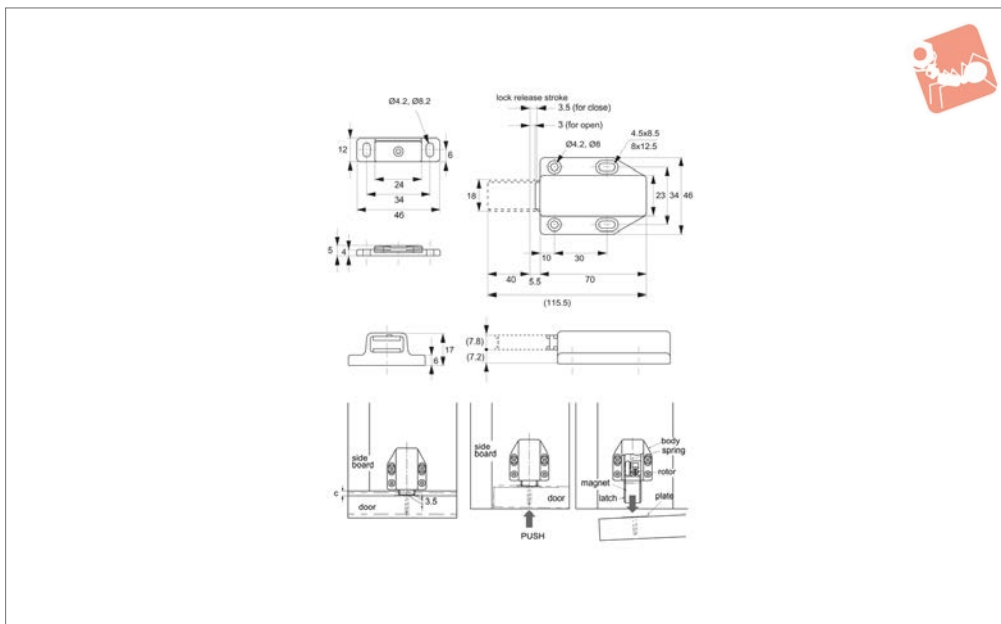
Push to open/close.  
For overlay doors, a 3,5mm gap between door and cabinet frame is required for the

latch release stroke.  
Supplied with screws (2.7x13)

Order No.	Finish	Magnetic force kgf	Weight g
E5200.AC0010	White	1.6	22
E5200.AC0030	Brown	1.6	22
E5200.AC0020	Black	1.6	22



## E5250



### Material

Body: ABS plastic.

Latch and catch plate: steel, yellow zinc chromate.

### Technical Notes

Push to open/close. For overlay push to

open/close doors, a 3,5mm gap between door and cabinet frame is required for push space.

### Tips

E5250 has an extended/long stroke of 40mm to ensure full and positive move-

ment of door upon actuation.

Order No.	Finish	Magnetic force kgf	Weight g
E5250.AC0010	White	2.4	53
E5250.AC0030	Brown	2.4	53