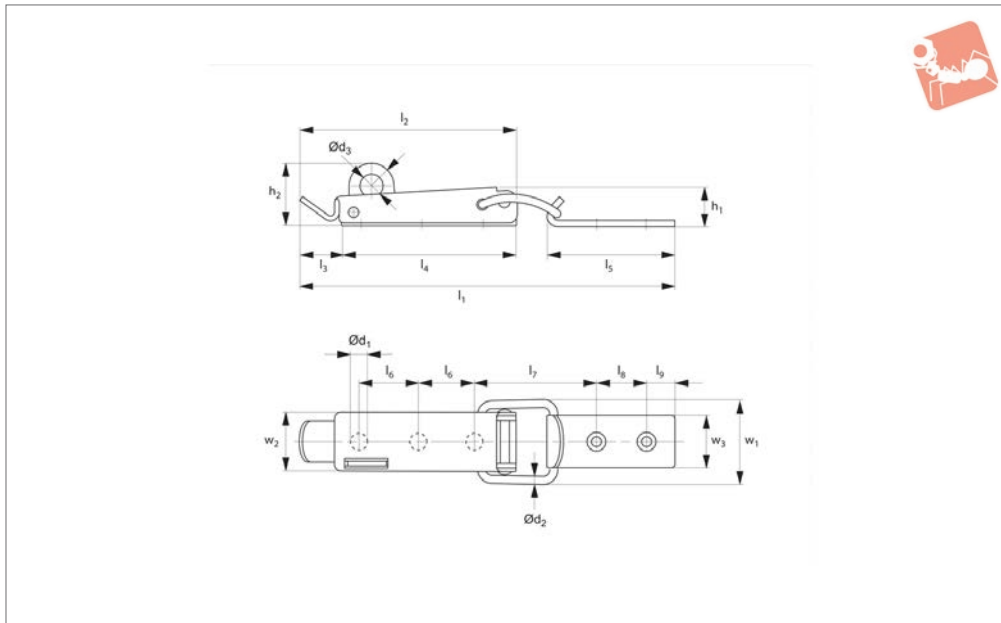




Toggle Latches

with padlock shackle, **stainless steel**

Draw Latches



J0420

DRAW LATCHES

Material

Steel, Fe P02 + P12, UNI5866, Zinc plated.
Or stainless steel AISI 304, UNI x5crNi.

Technical Notes

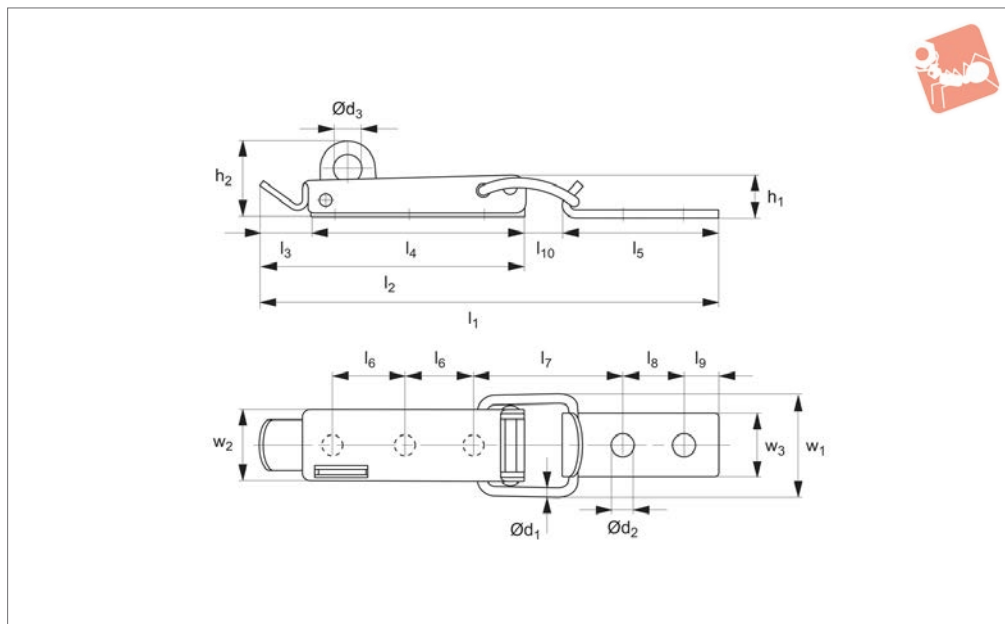
Supplied with counter strike.

Order No.	Finish	l_1	h_1 ± 0.5	w_1 ± 0.5	$\varnothing d_1$	$\varnothing d_2$	$\varnothing d_3$	h_2	h_3	l_2	Weight g
J0420.AC0004	Zinc Plated Steel	193.5	19	43	5.3	4	11	30.5	20.5	112	190
J0420.AC0030	Stainless Steel	193.5	19	43	5.3	4	11	30.5	20.5	112	190

Order No.	l_3	l_4 ± 0.5	l_5	l_6	l_7 ± 0.5	l_8	l_9	l_{10} ± 0.5	w_2 ± 0.5	w_3	l_{11}	Load N max.	Tension N max.
J0420.AC0004	21.5	90	66	31.5	58.5	25.5	15	23.5	30	27	82.5	2000	4000
J0420.AC0030	21.5	90	66	31.5	58.5	25.5	15	23.5	30	27	82.5	2000	4000



J0430



Material

Steel, Fe P02 + P12, UNI5866, zinc plated.
Or stainless steel AISI 304, UNI x5crNi.

Technical Notes

Supplied with counter strike. Use a padlock of 7mm dia. or less.

Order No.	Finish	l_1	h_1	w_1	$\varnothing d_1$	$\varnothing d_2$	$\varnothing d_3$	h_2	l_2	l_3	Weight g
J0430.AC0004	Zinc Plated Steel	140.5	12.5	34	3	4.1	7	20	86	16	80
J0430.AC0030	Stainless Steel	140.5	12.5	34	3	4.1	7	20	86	16	80

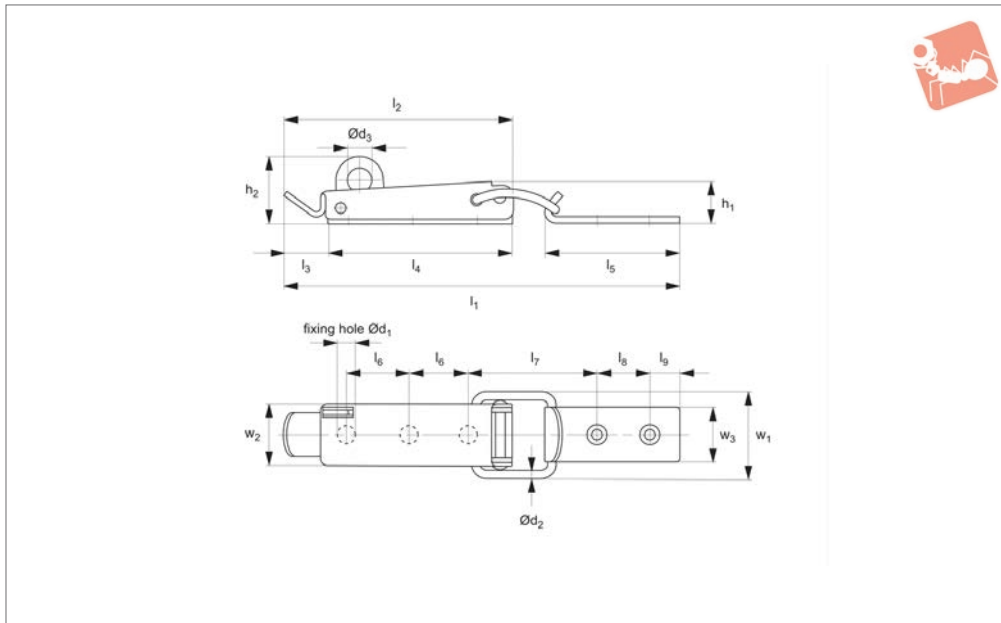
Order No.	l_4	l_5	l_6	l_7 ± 0.5	l_8	l_9	l_{10}	w_2	w_3	Load N max.	Tension N max.
J0430.AC0004	70	43	22.5	38	20	8	11.5	23	19	1500	3000
J0430.AC0030	70	43	22.5	38	20	8	11.5	23	19	1500	3000



Toggle Latches

with padlock shackle, **stainless steel**

Draw Latches



J0460

DRAW LATCHES

Material

Steel, Fe P02 + P12, UNI5866, zinc plated.
Or stainless steel AISI 304, UNI x5crNi.

Technical Notes

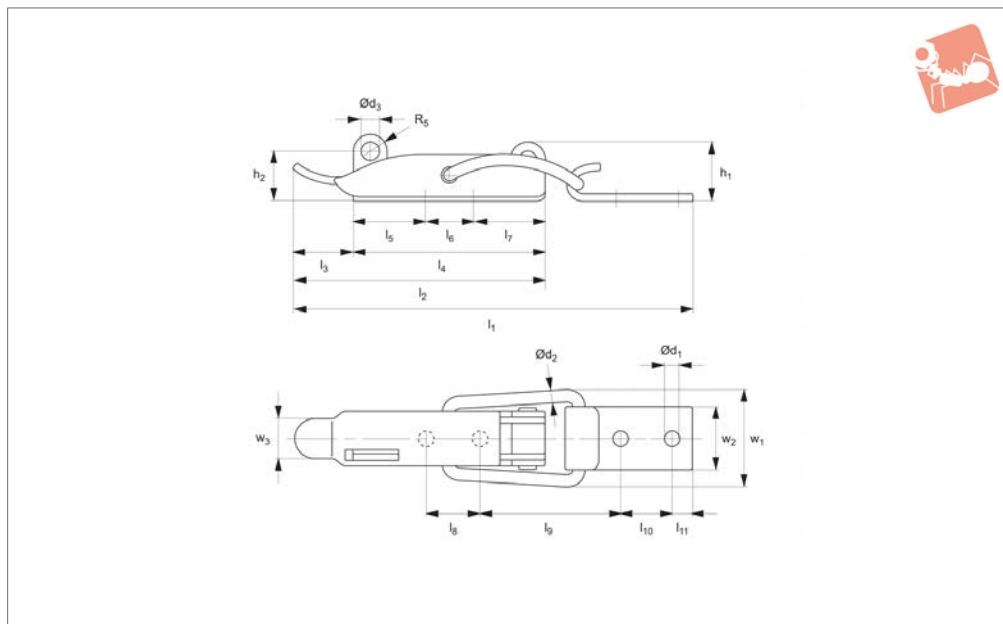
Supplied with counter strike.

Order No.	Finish	l_1	h_1	w_1	$\varnothing d_1$	$\varnothing d_2$	$\varnothing d_3$	h_2	l_2	l_3	Weight g
J0460.AC0004	Zinc Plated Steel	102	11	23	3.2	2	4	15.5	60	16	30
J0460.AC0030	Stainless Steel	102	11	23	3.2	2	4	15.5	60	16	30

Order No.	l_4	l_5	l_6	l_7 ± 0.5	l_8	l_9	w_2	w_3	Load N max.	Tension N max.
J0460.AC0004	44	30	12.5	34.5	12	5	16.4	13	550	1300
J0460.AC0030	44	30	12.5	34.5	12	5	16.4	13	350	1000



J0552



Material

Steel, Fe P02 + P12, UNI5866, zinc plated.
Or stainless steel AISI304, UNI x5crNi.

Technical Notes

Supplied with counter strike. Use a padlock of 5,5mm dia. or less.

Order No.	Finish	l_1	h_1	w_1	$\varnothing d_1$	$\varnothing d_2$	$\varnothing d_3$	h_2	l_2	l_3	l_4	Weight g
J0552.AC0004	Zinc Plated Steel	114	17	28	4.1	3	5.5	14	72	17	55	55
J0552.AC0030	Stainless Steel	114	17	28	4.1	3	5.5	14	72	17	55	55

Order No.	l_5	l_6	l_7	l_8	$l_9 \pm 0.5$	l_{10}	w_2	w_3	l_{11}	Load N max.	Tension N max.
J0552.AC0004	21	15.5	18.7	15.5	40.5	15	19	12	5	1000	2500
J0552.AC0030	21	15.5	18.7	15.5	40.5	15	19	12	5	1000	2500