



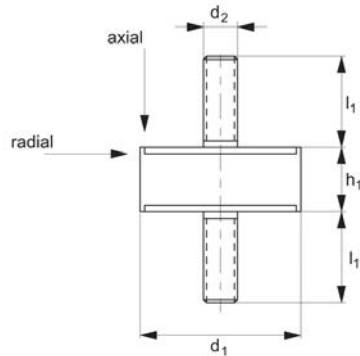
Anti-vibration Cylinders

male:male

Anti-Vibration



61040



Material

Rubber on silver zinc plated steel (rubber hardness - 55 Shore A).

Technical Notes

Parts with small diameters (d_1) and relatively long length (h) cannot accept radial loads (as shown in table).

Different thread sizes on request.

For rubber mounted on stainless steel - see part no. 61042.

Tips

These cylinders are used to reduce vibration by allowing some movement (in axial

and radial as shown).

Typically used in machinery, compressors, air conditioning units, light engineering equipment etc.

Order No.	d_1	h_1	d_2	l_1	Axial load kgf max.	Radial load kgf max.
61040.W0061	6	7	M 3	10	3	-
61040.W0081	8	8	M 3	10	3	-
61040.W0091	9	12	M 4	10	6	1.5
61040.W0101	10	8	M 4	10	8	1.5
61040.W0102	10	10	M 4	10	10	1.5
61040.W0151	15	8	M 4	10-14	15	2.4
61040.W0152	15	10	M 4	10-14	13	2.4
61040.W0153	15	15	M 4	10-14	13	3.0
61040.W0154	15	20	M 4	10-14	10	-
61040.W0155	15	22	M 4	10-14	10	-
61040.W0156	15	25	M 4	10-14	9	-
61040.W0157	15	28	M 4	10-14	9	-
61040.W0161	16	15	M 4	14	13	2.4
61040.W0181	18	7.5	M 6	16	20	3.0
61040.W0182	18	8.5	M 6	16	20	3.0
61040.W0183	18	12	M 6	16	18	3.0
61040.W0202	20	9	M 6	13-16	27	5.0
61040.W0203	20	10	M 6	16	30	5.0
61040.W0204	20	15	M 6	16	25	5.0
61040.W0205	20	20	M 6	18	21	4.5
61040.W0206	20	25	M 6	16	20	4.0
61040.W0207	20	30	M 6	16	18	3.5
61040.W0251	20	35	M 6	13-16	18	3.5
61040.W0252	25	10	M 6	10-18	46	9.0
61040.W0253	25	15	M 6	18	44	8.5
61040.W0254	25	20	M 6	18	41	8.0
61040.W0255	25	25	M 6	18	40	7.5
61040.W0256	25	30	M 6	18	40	7.0
61040.W0258	25	40	M 6	18	36	4.0



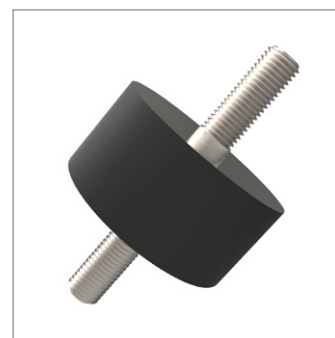
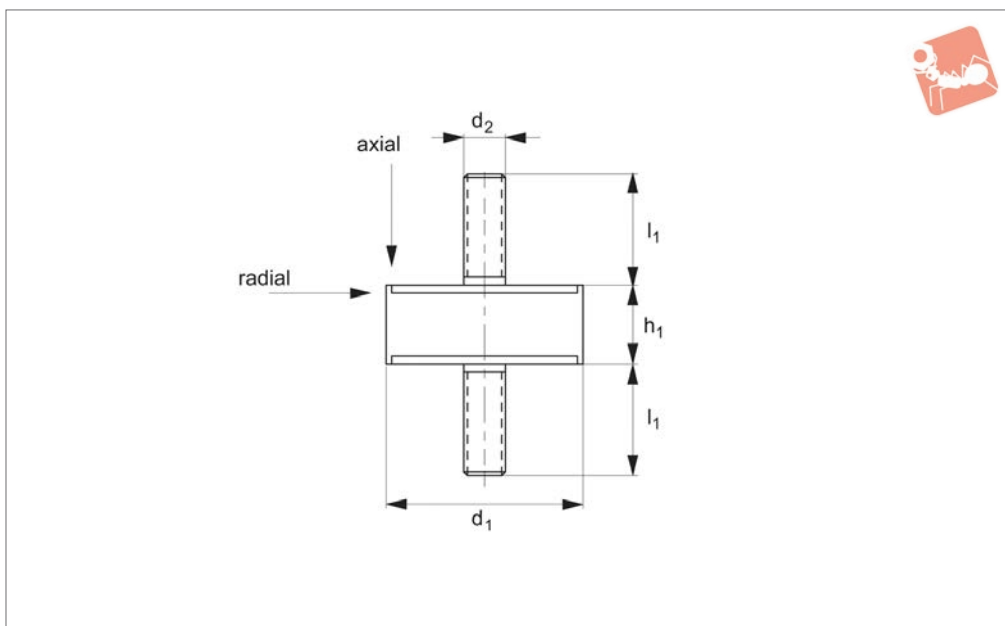
Order No.	d ₁	h ₁	d ₂	l ₁	Axial load kgf max.	Radial load kgf max.
61040.W0303	30	15	M 8	20	90	12.0
61040.W0304	30	20	M 8	20	90	10.5
61040.W0305	30	25	M 8	20	85	10.5
61040.W0306	30	30	M 8	20	80	10.5
61040.W0351	35	40	M 8	23	54	13.0
61040.W0401	40	12	M 8	23	120	20.0
61040.W0402	40	20	M 8	20	160	20.0
61040.W0403	40	25	M 8	20	155	18.0
61040.W0404	40	28	M 8	20	155	16.0
61040.W0405	40	30	M 8	23	150	21.0
61040.W0406	40	40	M 8	23	120	22.0
61040.W0407	40	50	M 8	23	80	19.0
61040.W0451	45	30	M 8	23	112	24.0
61040.W0501	50	20	M10	25	250	30.0
61040.W0503	50	30	M10	25	250	29.0
61040.W0504	50	40	M10	25	220	29.0
61040.W0505	50	50	M10	25	200	29.0
61040.W0601	60	20	M10	28	285	35.0
61040.W0602	60	30	M10	28	200	37.0
61040.W0603	60	35	M10	30	350	39.0
61040.W0604	60	45	M10	30	300	42.0
61040.W0605	60	50	M10	37	185	42.0
61040.W0701	70	45	M10	35	270	55.0
61040.W0702	70	50	M10	30	350	52.0
61040.W0751	75	25	M12	35	650	75.0
61040.W0752	75	30	M12	37	350	75.0
61040.W0753	75	40	M12	35	500	75.0
61040.W0754	75	50	M12	37	330	65.0
61040.W0755	75	55	M12	35	450	60.0
61040.W0801	80	30	M14	35	900	75.0
61040.W0802	80	40	M14	35	600	50.0
61040.W0803	80	50	M14	35	750	65.0
61040.W0804	80	80	M14	51	280	60.0
61040.W0951	95	40	M16	45	1200	70
61040.W0952	95	55	M16	45	1000	70
61040.W0953	95	60	M16	45	800	70
61040.W0954	95	75	M16	45	800	70
61040.W1001	100	40	M16	45	1200	95
61040.W1002	100	60	M16	45	1100	90
61040.W1003	100	75	M16	45	1000	90
61040.W1201	120	50	M16	45	1500	100
61040.W1202	120	75	M16	45	1200	100
61040.W1203	120	100	M16	45	1000	100
61040.W1301	130	40	M16	45	1900	110
61040.W1302	130	50	M16	45	1600	110
61040.W1303	130	75	M16	45	1450	100
61040.W1304	130	100	M16	45	1200	120
61040.W1501	150	50	M20	50	1800	150
61040.W1502	150	60	M16	50	2200	150
61040.W1503	150	75	M16	50	2000	150
61040.W1504	150	100	M16	50	1400	150
61040.W1505	150	120	M16	50	1300	150
61040.W1506	150	140	M16	50	1200	150



Anti-vibration Cylinders

stainless male:male

Anti-Vibration



61042

ANTI-VIBRATION

Material

Rubber on stainless steel, A2 (rubber hardness - 55 Shore A).

steel - see part no. 61040.

Tips

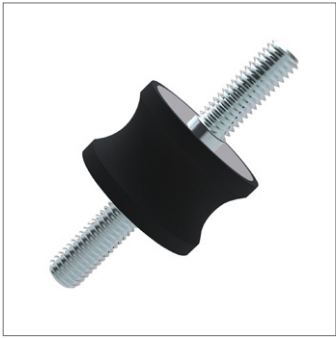
These cylinders are used to reduce vibration by allowing some movement (in axial and radial as shown).

Typically used in machinery, compressors, air conditioning units, light engineering equipment etc.

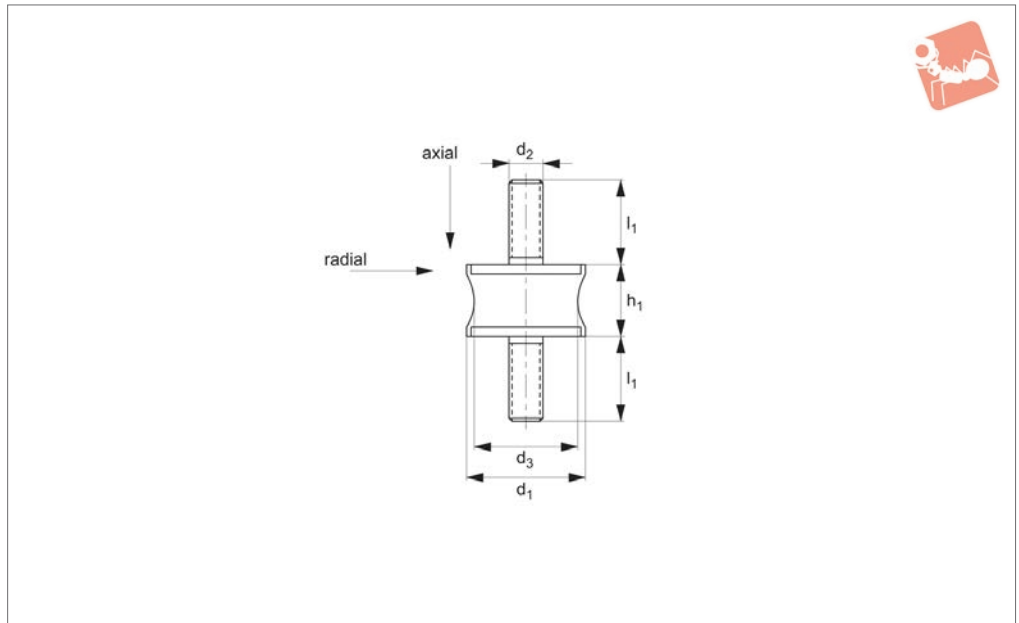
Technical Notes

For rubber mounted on silver zinc plated

Order No.	d ₁	h ₁	d ₂	l ₁	Compression max.	Axial load kgf max.	Radial load kgf max.
61042.W0200	20	20	M 6	18	4	25	4.5
61042.W0201	20	25	M 6	18	5	25	4.0
61042.W0250	25	25	M 8	18	5	40	7.5
61042.W0251	25	30	M 8	18	6	35	7.0
61042.W0300	30	30	M 8	18	6	80	10.5
61042.W0301	30	40	M 8	18	8	60	13.0
61042.W0302	35	35	M 8	18	8	90	13.0
61042.W0400	40	30	M10	27	8	150	21.0
61042.W0401	40	40	M10	27	10	120	22.0
61042.W0500	50	30	M10	27	8	250	29.0
61042.W0501	50	40	M10	27	10	220	29.0
61042.W0502	50	50	M10	27	12	200	29.0
61042.W0600	60	45	M10	27	10	300	42.0
61042.W0601	60	60	M10	27	12	250	44.0



61100



Material

Rubber on silver zinc plated steel (rubber hardness - 55 Shore A). Available in stainless steel on request.

Technical Notes

For rubber mounted on silver zinc plated

steel see part no. 61102 (female:female) or 61110 (male:female).

Tips

These cylinders are used to reduce vibration by allowing some movement (in axial and radial as shown in drawing).

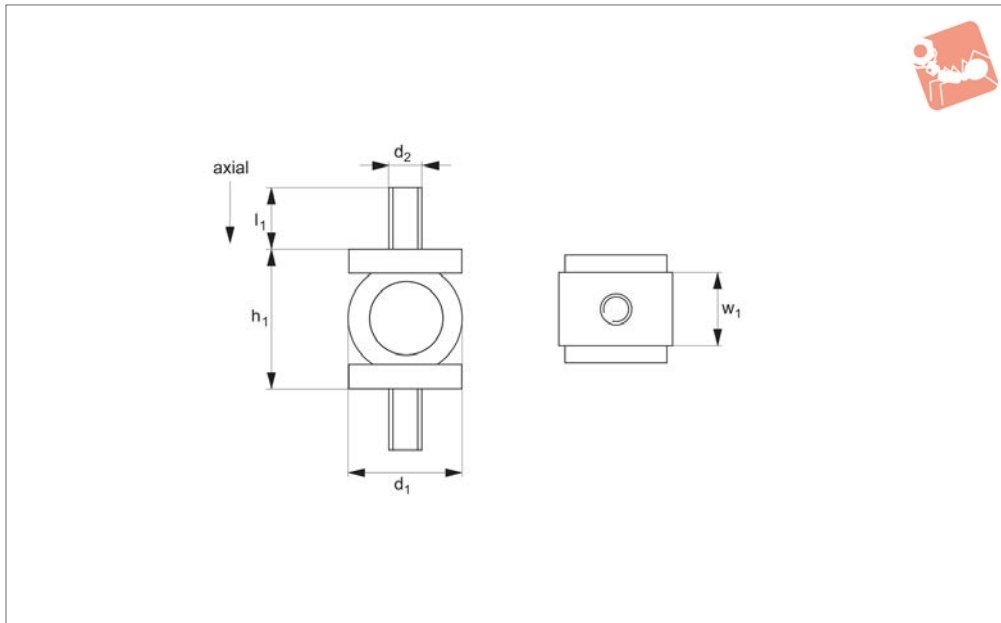
Typically used in machinery, compressors, air conditioning units, light engineering equipment etc.

Order No.	d ₁	h ₁	d ₂	d ₃	l ₁	Axial load kgf max.	Radial load N max.
61100.W0012	12	14	M 4	7	10	2.5	1.0
61100.W0020	20	15	M 6	14	13-16	10	2.5
61100.W0021	20	20	M 6	12	18	15	2.5
61100.W0025	25	20	M 6	18	18	25	6.0
61100.W0030	30	20	M 8	25	23	35	6.0
61100.W0031	30	25	M 8	24	20	40	6.0
61100.W0040	40	28	M10	22	25	60	12
61100.W0045	45	50	M 8	25	23	60	-
61100.W0050	50	30	M10	42	28	120	25
61100.W0057	57	44	M 8	25	20	40	-
61100.W0060	60	36	M10	37	30	90	-
61100.W0061	60	43	M10	35	30	70	12
61100.W0062	60	60	M10	51	30	150	30
61100.W0070	70	56	M12	50	35	220	-
61100.W0080	80	70	M14	70	50	170	55
61100.W0090	90	77	M16	79	45	500	-
61100.W0095	95	76	M16	80	46	250	-
61100.W0108	108	85	M16	95	45	800	-
61100.W0130	130	96	M16	115	45	1400	-



Anti-vibration Cylinders spherical

Anti-Vibration



61115

ANTI-VIBRATION

Material

Rubber on silver zinc-plated steel (rubber hardness - 55 Shore A).

frequencies with low loads as little as 0.5 kg.

Technical Notes

The spherical mounts are designed for low

Tips

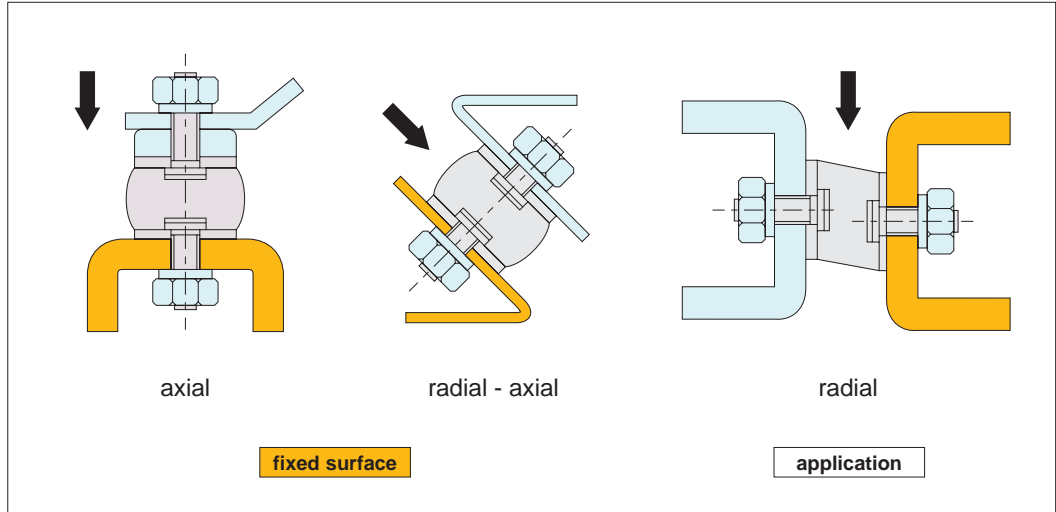
These mounts are not to be used for radial loads.

Order No.	d_1	h_1	d_2	w_1	l_1	Compression max.	Axial load kgf max.
61115.W0150	15	18	M4	14	8	5	1.25
61115.W0151	15	18	M4	14	8	5	2.50
61115.W0300	30	30	M8	30	20	11	3.50



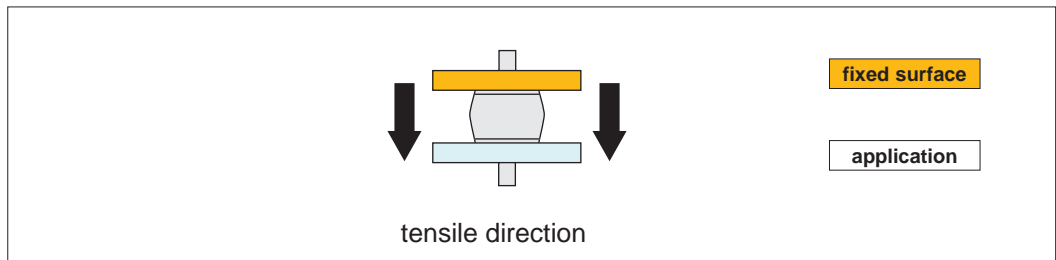
Acceptable loads

Cylindrical mounts are never to be used in tension, they should only be used in axial or radial. Radial loads are however considerably less than axial loads. Parts with small diameters (d_1) and relatively long lengths (h) cannot accept radial loads.



Installation

Incorrect installation



Correct installation

The height of the insulator may vary as the rubber is compressed under load.

Do not remove the rubber burr around the edge of the metal, this could cause detachment of rubber from the metal studs.

