

79690

PULL HANDLES

**Material**

AISI 304 stainless steel, satin finish.

**Technical Notes**

Supplied with stainless steel screws.

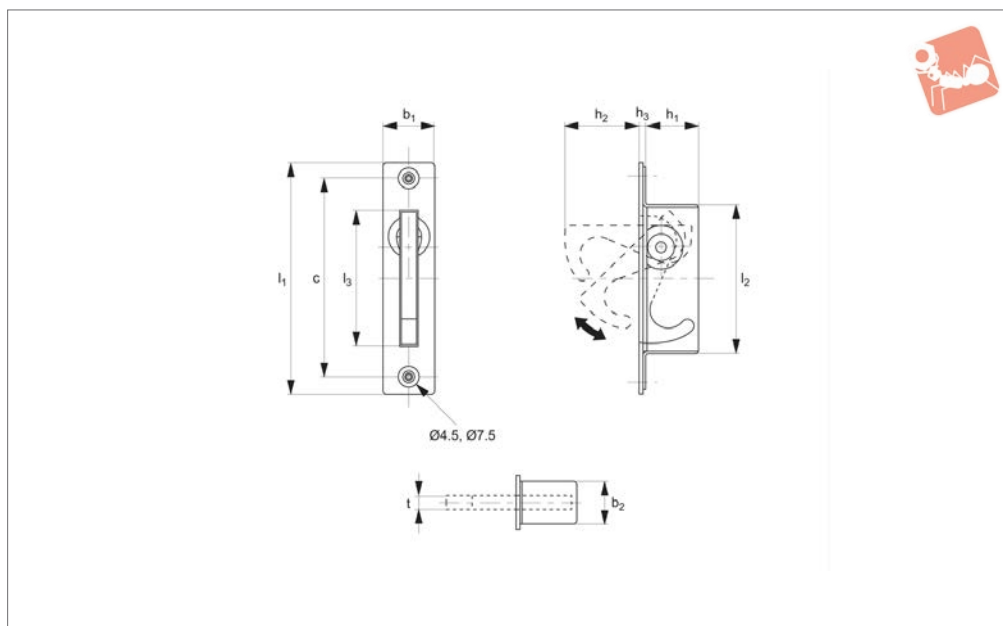
**Important Notes**

T-handle design. Handle is concealed when not in use.

Order No.	$l_1$	$l_2$	$l_3$	$l_4$	$h_1$	$h_2$	$h_3$	$j$	$b_1$	$b_2$	$t$	$c$	Weight g
79690.W0090	90	66.2	30.2	57	35.5	23.2	10.5	2.2	22	18.5	3.8	80	68
79690.W0115	115	86.2	40.0	67	42.0	26.0	13.0	2.5	25	20.0	4.0	102	102



**79700**



**Material**

AISI 304 stainless steel, satin finish.

**Technical Notes**

Supplied with stainless steel screws.

**Important Notes**

Hook design. Handle is concealed when not in use.

Order No.	$l_1$	$l_2$	$l_3$	$h_1$	$h_2$	$h_3$	$b_1$	$b_2$	$t$	$c$	Weight g
<b>79700.W0080</b>	80	50	44	18	25	2	18	15	5	68	48
<b>79700.W0100</b>	100	63	54	21	32	2	20	15	5	85	66