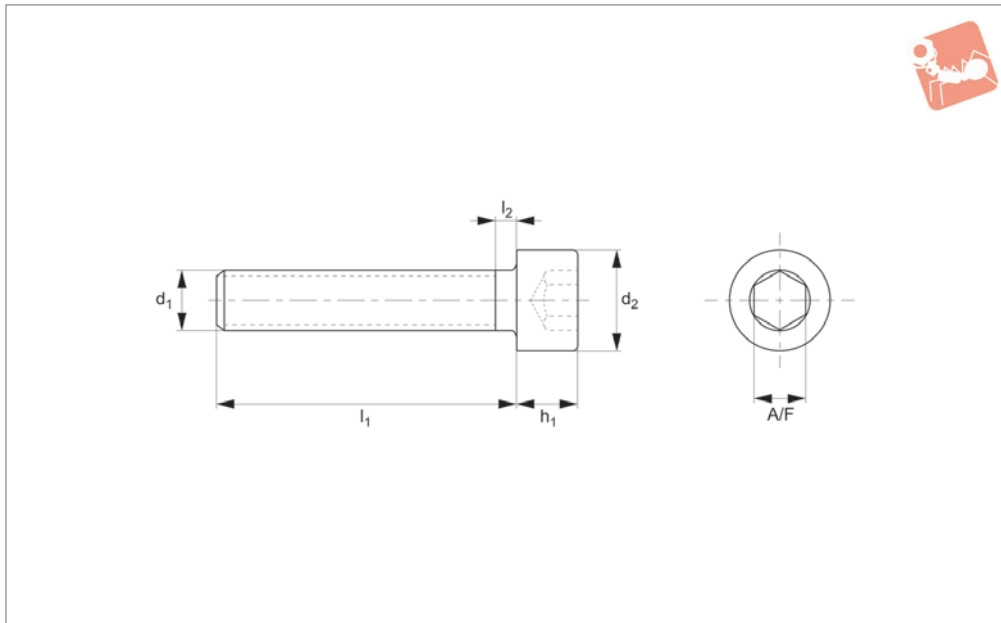




Cap Head Hexagon Socket Hygienic

PEEK Fasteners



WN0500.HP

PEEK FASTENERS

Material

Polyether ether ketone (PEEK). Blue.

A high performance plastic with very good durability and wear resistance. PEEK has excellent chemical resistance and performs well at temperatures up to 260°C.

Tensile strength ~116N/mm².

Technical Notes

Manufactured for industries with a hygienic requirement, these products are made with an X-Ray opaque or metal detectable filler, in blue, for optical detection.

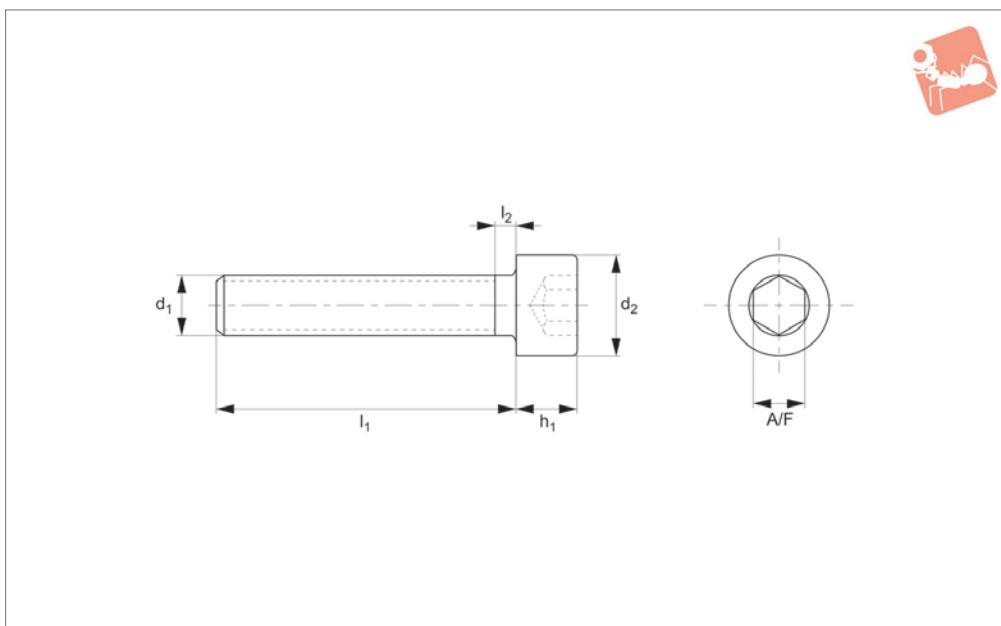
For medical industry applications, we can offer these products in a variant of PEEK which is refined for biocompatibility.

Natural PEEK is used in the aerospace and chemical industries.

Order No.	d ₁	l ₁ +/- 0.2	l ₂ max.	d ₂	h ₁	A/F
WN0500.030-008-HP	M 3	8	1.0	5.5	3	2.5
WN0500.030-010-HP	M 3	10	1.0	5.5	3	2.5
WN0500.030-012-HP	M 3	12	1.0	5.5	3	2.5
WN0500.030-015-HP	M 3	15	1.0	5.5	3	2.5
WN0500.030-020-HP	M 3	20	1.0	5.5	3	2.5
WN0500.030-025-HP	M 3	25	1.0	5.5	3	2.5
WN0500.040-008-HP	M 4	8	1.4	7.0	4	3.0
WN0500.040-010-HP	M 4	10	1.4	7.0	4	3.0
WN0500.040-012-HP	M 4	12	1.4	7.0	4	3.0
WN0500.040-015-HP	M 4	15	1.4	7.0	4	3.0
WN0500.040-020-HP	M 4	20	1.4	7.0	4	3.0
WN0500.040-025-HP	M 4	25	1.4	7.0	4	3.0
WN0500.050-008-HP	M 5	8	1.6	8.5	5	4.0
WN0500.050-010-HP	M 5	10	1.6	8.5	5	4.0
WN0500.050-012-HP	M 5	12	1.6	8.5	5	4.0
WN0500.050-015-HP	M 5	15	1.6	8.5	5	4.0
WN0500.050-020-HP	M 5	20	1.6	8.5	5	4.0
WN0500.050-025-HP	M 5	25	1.6	8.5	5	4.0
WN0500.050-030-HP	M 5	30	1.6	8.5	5	4.0
WN0500.060-010-HP	M 6	10	2.0	10.0	6	5.0
WN0500.060-012-HP	M 6	12	2.0	10.0	6	5.0
WN0500.060-015-HP	M 6	15	2.0	10.0	6	5.0
WN0500.060-020-HP	M 6	20	2.0	10.0	6	5.0
WN0500.060-025-HP	M 6	25	2.0	10.0	6	5.5
WN0500.060-030-HP	M 6	30	2.0	10.0	6	5.5
WN0500.080-020-HP	M 8	20	2.5	13.0	8	6.0
WN0500.080-025-HP	M 8	25	2.5	13.0	8	6.0
WN0500.080-030-HP	M 8	30	2.5	13.0	8	6.0
WN0500.080-035-HP	M 8	35	2.5	13.0	8	6.0



WN0500.MP



Material

Polyether ether ketone (PEEK). Green

A high performance plastic with very good durability and wear resistance. PEEK has excellent chemical resistance and performs well at temperatures up to 260°C. Tensile

strength ~116N/mm².

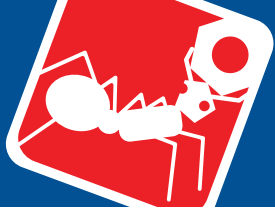
Technical Notes

Manufactured for medical industry applications, these products are in a variant of PEEK which is refined for biocompatibility.

For industries with a hygienic requirement, these products are available with an X-Ray opaque or metal detectable filler, blue in colour, for optical detection.

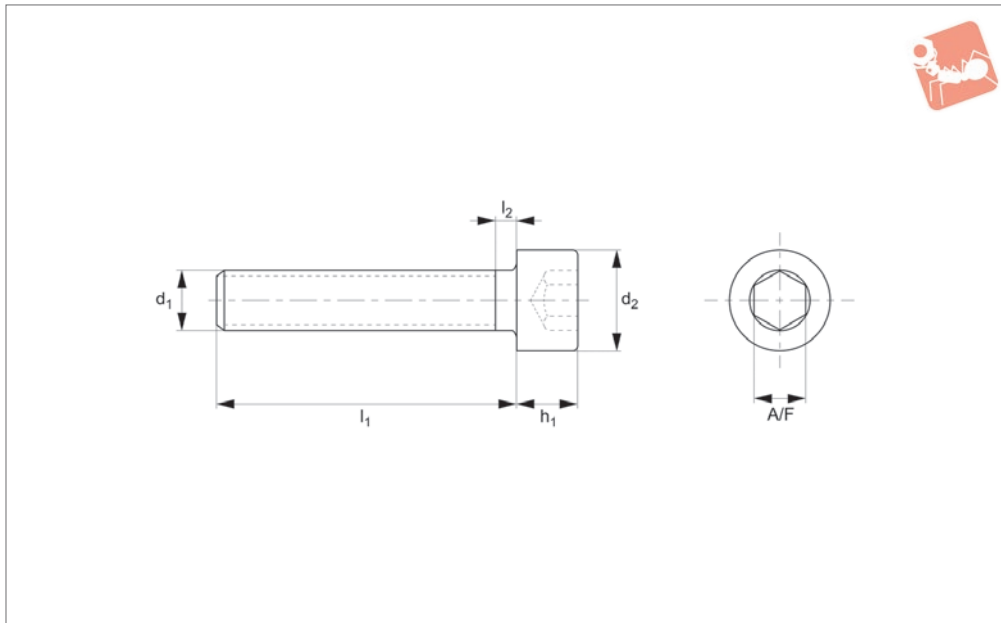
Natural PEEK is used in the aerospace and chemical industries.

Order No.	d ₁	l ₁ +/- 0.2	l ₂ max.	d ₂	h ₁	A/F
WN0500.030-008-MP	M 3	8	1.0	5.5	3	2.5
WN0500.030-010-MP	M 3	10	1.0	5.5	3	2.5
WN0500.030-012-MP	M 3	12	1.0	5.5	3	2.5
WN0500.030-015-MP	M 3	15	1.0	5.5	3	2.5
WN0500.030-020-MP	M 3	20	1.0	5.5	3	2.5
WN0500.030-025-MP	M 3	25	1.0	5.5	3	2.5
WN0500.040-008-MP	M 4	8	1.4	7.0	4	3.0
WN0500.040-010-MP	M 4	10	1.4	7.0	4	3.0
WN0500.040-012-MP	M 4	12	1.4	7.0	4	3.0
WN0500.040-015-MP	M 4	15	1.4	7.0	4	3.0
WN0500.040-020-MP	M 4	20	1.4	7.0	4	3.0
WN0500.040-025-MP	M 4	25	1.4	7.0	4	3.0
WN0500.050-008-MP	M 5	8	1.6	8.5	5	4.0
WN0500.050-010-MP	M 5	10	1.6	8.5	5	4.0
WN0500.050-012-MP	M 5	12	1.6	8.5	5	4.0
WN0500.050-015-MP	M 5	15	1.6	8.5	5	4.0
WN0500.050-020-MP	M 5	20	1.6	8.5	5	4.0
WN0500.050-025-MP	M 5	25	1.6	8.5	5	4.0
WN0500.050-030-MP	M 5	30	1.6	8.5	5	4.0
WN0500.060-010-MP	M 6	10	2.0	10.0	6	5.0
WN0500.060-012-MP	M 6	12	2.0	10.0	6	5.0
WN0500.060-015-MP	M 6	15	2.0	10.0	6	5.0
WN0500.060-020-MP	M 6	20	2.0	10.0	6	5.0
WN0500.060-025-MP	M 6	25	2.0	10.0	6	5.0
WN0500.060-030-MP	M 6	30	2.0	10.0	6	5.0
WN0500.080-020-MP	M 8	20	2.5	13.0	8	6.0
WN0500.080-025-MP	M 8	25	2.5	13.0	8	6.0
WN0500.080-030-MP	M 8	30	2.5	13.0	8	6.0
WN0500.080-035-MP	M 8	35	2.5	13.0	8	6.0



Cap Head Hexagon Socket Natural PEEK

PEEK Fasteners



WN0500.NP

PEEK FASTENERS

Material

Natural Polyether-ether-ketone (PEEK).
Beige.

A high performance plastic with very good durability and wear resistance. PEEK has excellent chemical resistance and performs well at temperatures up to 260°C. Tensile strength ~116N/mm².

Technical Notes

PEEK is used in the aerospace and petrochemical industries.

For medical industry applications, we can offer these products in a variant of PEEK which is refined for biocompatibility.

For industries with a hygienic requirement,

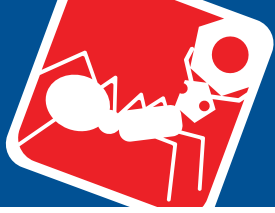
these products can be manufactured with an X-Ray opaque or metal detectable filler, as well as a blue colour for optical detection.

UL94-V0 compliant

Order No.	d ₁	l ₁ +/- 0.2	l ₂ max.	d ₂	h ₁	A/F
WN0500.030-008-NP	M 3	8	1.0	5.5	3	2.5
WN0500.030-010-NP	M 3	10	1.0	5.5	3	2.5
WN0500.030-012-NP	M 3	12	1.0	5.5	3	2.5
WN0500.030-015-NP	M 3	15	1.0	5.5	3	2.5
WN0500.030-020-NP	M 3	20	1.0	5.5	3	2.5
WN0500.030-025-NP	M 3	25	1.0	5.5	3	2.5
WN0500.040-008-NP	M 4	8	1.4	7.0	4	3.0
WN0500.040-010-NP	M 4	10	1.4	7.0	4	3.0
WN0500.040-012-NP	M 4	12	1.4	7.0	4	3.0
WN0500.040-015-NP	M 4	15	1.4	7.0	4	3.0
WN0500.040-020-NP	M 4	20	1.4	7.0	4	3.0
WN0500.040-025-NP	M 4	25	1.4	7.0	4	3.0
WN0500.050-008-NP	M 5	8	1.6	8.5	5	4.0
WN0500.050-010-NP	M 5	10	1.6	8.5	5	4.0
WN0500.050-012-NP	M 5	12	1.6	8.5	5	4.0
WN0500.050-015-NP	M 5	15	1.6	8.5	5	4.0
WN0500.050-020-NP	M 5	20	1.6	8.5	5	4.0
WN0500.050-025-NP	M 5	25	1.6	8.5	5	4.0
WN0500.050-030-NP	M 5	30	1.6	8.5	5	4.0
WN0500.060-010-NP	M 6	10	2.0	10.0	6	5.0
WN0500.060-012-NP	M 6	12	2.0	10.0	6	5.0
WN0500.060-015-NP	M 6	15	2.0	10.0	6	5.0
WN0500.060-020-NP	M 6	20	2.0	10.0	6	5.0
WN0500.060-025-NP	M 6	25	2.0	10.0	6	5.0
WN0500.060-030-NP	M 6	30	2.0	10.0	6	5.0
WN0500.080-020-NP	M 8	20	2.5	13.0	8	6.0
WN0500.080-025-NP	M 8	25	2.5	13.0	8	6.0
WN0500.080-030-NP	M 8	30	2.5	13.0	8	6.0



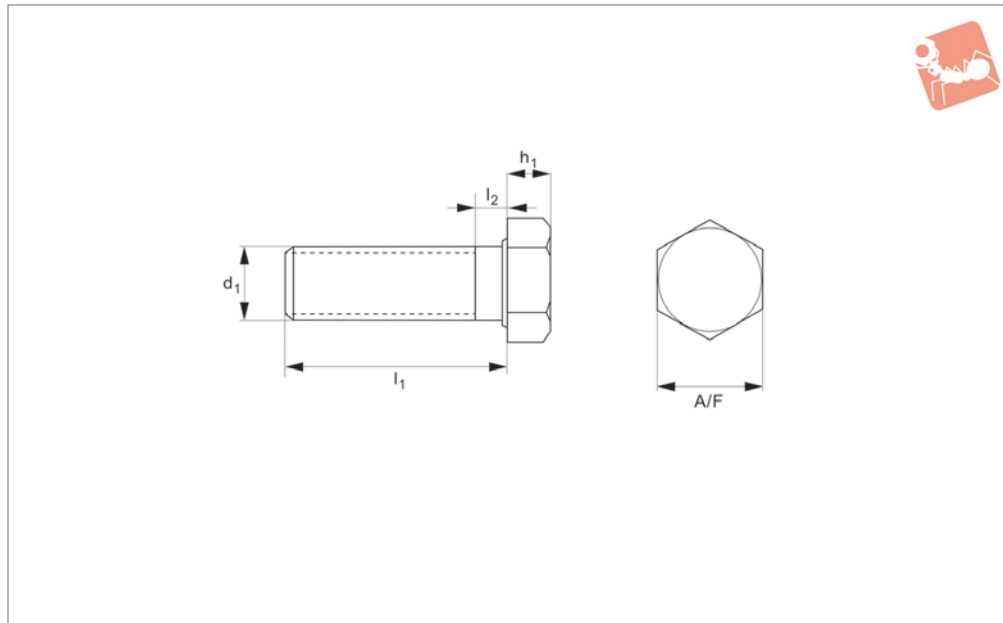
Order No.	d ₁	l ₁ +/- 0.2	l ₂ max.	d ₂	h ₁	A/F
WN0500.080-035-NP	M 8	35	2.5	13.0	8	6.0



Hexagonal Head Set Screw

Natural PEEK

PEEK Fasteners



WN0501.NP

PEEK FASTENERS

Material

Natural Polyether-ether-ketone (PEEK).
Beige.

A high performance plastic with very good durability and wear resistance. PEEK has excellent chemical resistance and performs well at temperatures up to 260°C.

Tensile strength ~116N/mm².

Technical Notes

Generally to DIN 931.

Manufactured for industries with a hygienic requirement, these products are made with an X-Ray opaque or metal detectable filler,

in blue, for optical detection.

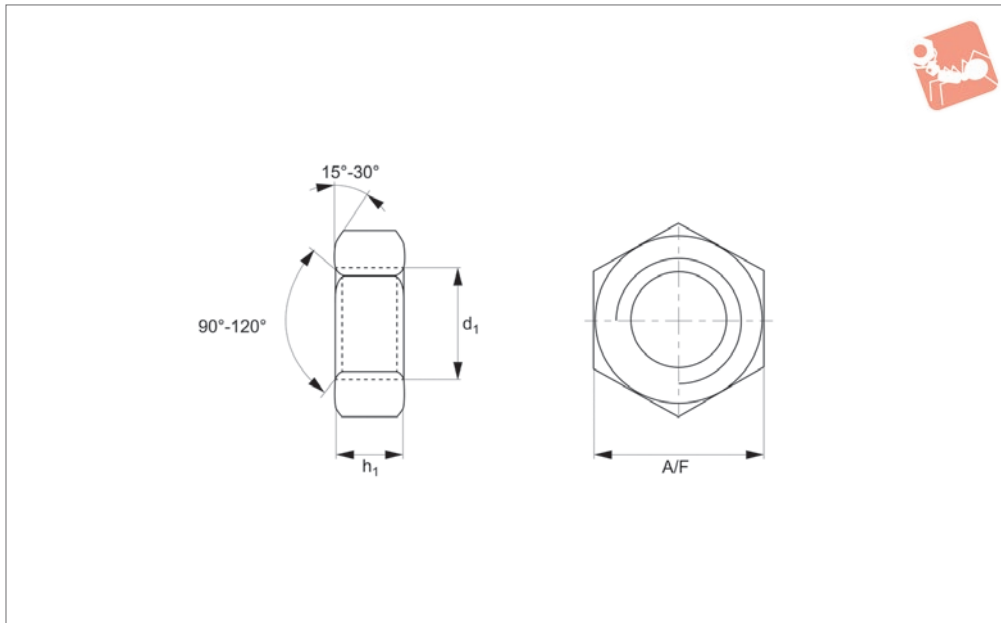
For medical industry applications, we can offer these products in a variant of PEEK which is refined for biocompatibility.

Natural PEEK is used in the aerospace and chemical industries.
UL94-V0 compliant

Order No.	d ₁	l ₁ +/- 0.2	h ₁	l ₂ max.	A/F
WN0501.040-008-NP	M 4	8	2.8	1.4	7
WN0501.040-010-NP	M 4	10	2.8	1.4	7
WN0501.040-012-NP	M 4	12	2.8	1.4	7
WN0501.040-015-NP	M 4	15	2.8	1.4	7
WN0501.040-020-NP	M 4	20	2.8	1.4	7
WN0501.040-025-NP	M 4	25	2.8	1.4	7
WN0501.050-010-NP	M 5	10	3.5	1.6	8
WN0501.050-012-NP	M 5	12	3.5	1.6	8
WN0501.050-015-NP	M 5	15	3.5	1.6	8
WN0501.050-020-NP	M 5	20	3.5	1.6	8
WN0501.050-025-NP	M 5	25	3.5	1.6	8
WN0501.050-030-NP	M 5	30	3.5	1.6	8
WN0501.060-010-NP	M 6	10	4.0	2.0	10
WN0501.060-012-NP	M 6	12	4.0	2.0	10
WN0501.060-015-NP	M 6	15	4.0	2.0	10
WN0501.060-020-NP	M 6	20	4.0	2.0	10
WN0501.060-025-NP	M 6	25	4.0	2.0	10
WN0501.060-030-NP	M 6	30	4.0	2.0	10
WN0501.060-035-NP	M 6	35	4.0	2.0	10
WN0501.060-040-NP	M 6	40	4.0	2.0	10
WN0501.060-045-NP	M 6	45	4.0	2.0	10
WN0501.060-050-NP	M 6	50	4.0	2.0	10
WN0501.080-010-NP	M 8	10	5.5	2.5	13
WN0501.080-015-NP	M 8	15	5.5	2.5	13
WN0501.080-020-NP	M 8	20	5.5	2.5	13
WN0501.080-025-NP	M 8	25	5.5	2.5	13
WN0501.080-030-NP	M 8	30	5.5	2.5	13
WN0501.080-035-NP	M 8	35	5.5	2.5	13
WN0501.080-040-NP	M 8	40	5.5	2.5	13
WN0501.080-045-NP	M 8	45	5.5	2.5	13
WN0501.080-050-NP	M 8	50	5.5	2.5	13



Order No.	d ₁	l ₁ +/- 0.2	h ₁	l ₂ max.	A/F
WN0501.100-015-NP	M 10	15	7.0	3.0	17
WN0501.100-020-NP	M 10	20	7.0	3.0	17
WN0501.100-025-NP	M 10	25	7.0	3.0	17
WN0501.100-030-NP	M 10	30	7.0	3.0	17
WN0501.100-035-NP	M 10	35	7.0	3.0	17
WN0501.100-040-NP	M 10	40	7.0	3.0	17
WN0501.100-045-NP	M 10	45	7.0	3.0	17
WN0501.100-050-NP	M 10	50	7.0	3.0	17



WN0502.NP

PEEK FASTENERS

Material

Natural Polyether-ether-ketone (PEEK).
Beige. A high performance plastic with very good durability and wear resistance.

PEEK has excellent chemical resistance and performs well at temperatures up to 260°C.
Tensile strength ~116N/mm².

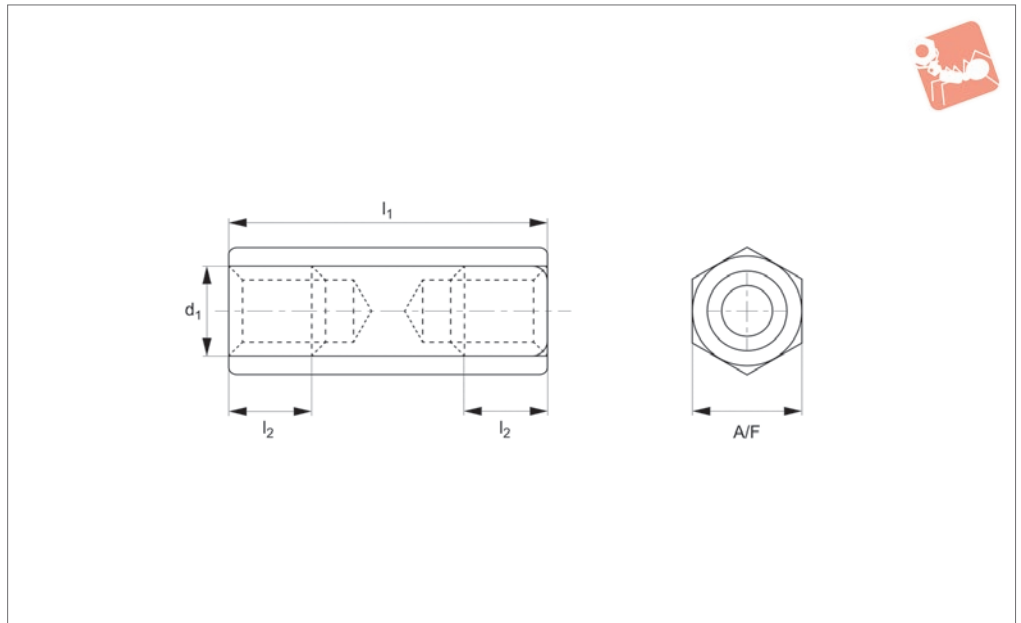
Technical Notes

Generally to DIN 934.
UL94-V0 compliant

Order No.	d ₁	h ₁	A/F
WN0502.025-NP	M 2.5	2.0	5.0
WN0502.030-NP	M 3	2.4	5.5
WN0502.040-NP	M 4	3.2	7.0
WN0502.050-NP	M 5	4.0	8.0
WN0502.060-NP	M 6	5.0	10.0
WN0502.080-NP	M 8	6.5	13.0
WN0502.100-NP	M 10	8.0	17.0



WN0503.NP



PEEK FASTENERS

Material

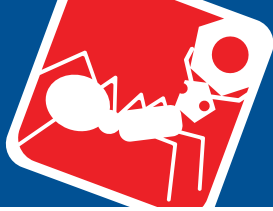
Natural Polyether-ether-ketone (PEEK).
Beige.
A high performance plastic with very good

durability and wear resistance. PEEK has excellent chemical resistance and performs well at temperatures up to 260°C.
Tensile strength ~116N/mm².

Technical Notes

UL94-V0 compliant

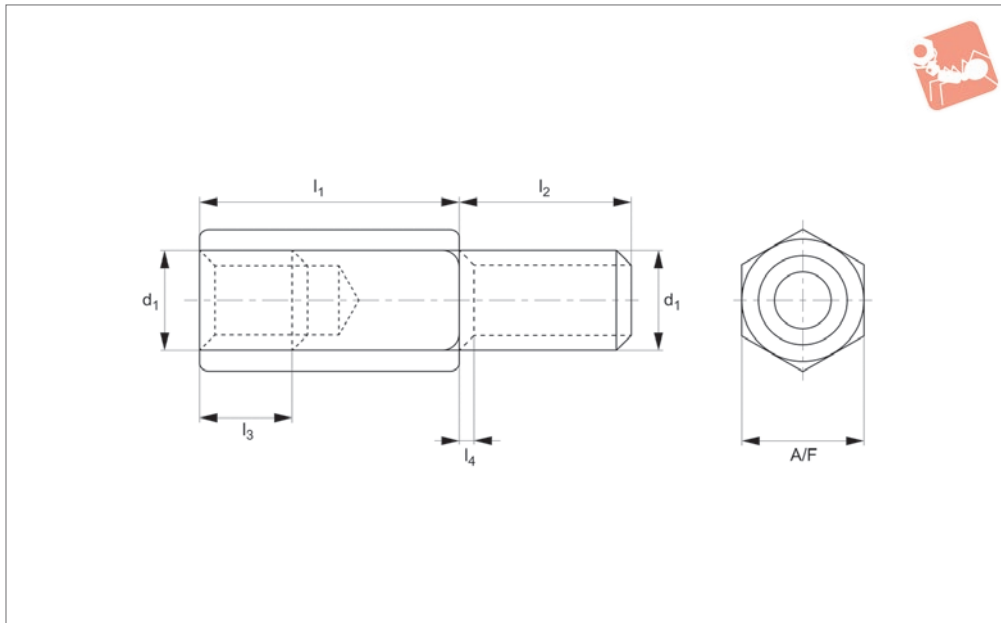
Order No.	d ₁	l ₁ +/- 0.2	l ₂	A/F
WN0503.030-004-NP	M 3	4	2.0	6
WN0503.030-005-NP	M 3	5	2.5	6
WN0503.030-006-NP	M 3	6	3.0	6
WN0503.030-008-NP	M 3	8	4.0	6
WN0503.030-010-NP	M 3	10	5.0	6
WN0503.030-012-NP	M 3	12	6.0	6
WN0503.030-015-NP	M 3	15	7.5	6
WN0503.030-018-NP	M 3	18	9.0	6
WN0503.030-020-NP	M 3	20	10.0	6
WN0503.030-025-NP	M 3	25	10.0	6
WN0503.030-030-NP	M 3	30	10.0	6
WN0503.040-005-NP	M 4	5	2.5	7
WN0503.040-006-NP	M 4	6	3.0	7
WN0503.040-008-NP	M 4	8	4.0	7
WN0503.040-010-NP	M 4	10	5.0	7
WN0503.040-012-NP	M 4	12	6.0	7
WN0503.040-015-NP	M 4	15	7.5	7
WN0503.040-018-NP	M 4	18	9.0	7
WN0503.040-020-NP	M 4	20	10.0	7
WN0503.040-025-NP	M 4	25	10.0	7
WN0503.040-030-NP	M 4	30	10.0	7
WN0503.040-035-NP	M 4	35	10.0	7
WN0503.040-040-NP	M 4	40	10.0	7
WN0503.050-006-NP	M 5	6	3.0	8
WN0503.050-008-NP	M 5	8	4.0	8
WN0503.050-010-NP	M 5	10	5.0	8
WN0503.050-012-NP	M 5	12	6.0	8
WN0503.050-015-NP	M 5	15	7.5	8
WN0503.050-018-NP	M 5	18	9.0	8
WN0503.050-020-NP	M 5	20	10.0	8
WN0503.050-025-NP	M 5	25	10.0	8
WN0503.050-030-NP	M 5	30	10.0	8
WN0503.050-035-NP	M 5	35	10.0	8
WN0503.050-040-NP	M 5	40	10.0	8



Male-Female Hexagonal Spacers

Natural PEEK

PEEK Fasteners



WN0504.NP

PEEK FASTENERS

Material

Natural Polyether-ether-ketone (PEEK).
Beige.

excellent chemical resistance and performs well at temperatures up to 260°C.
Tensile strength ~116N/mm².

standard coarse.

UL94-V0 compliant

A high performance plastic with very good durability and wear resistance. PEEK has

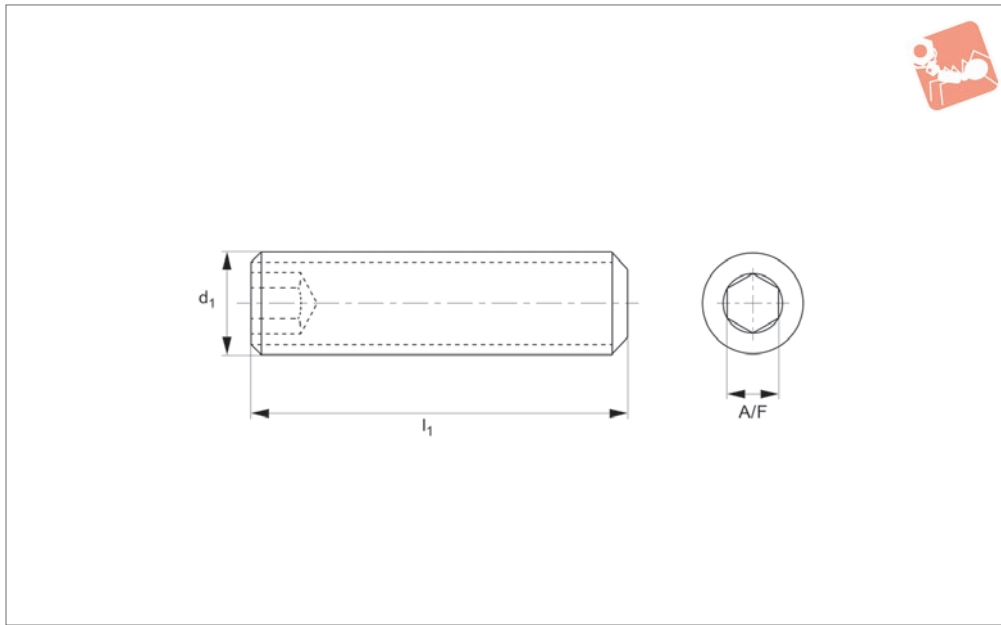
Technical Notes

P = Thread Pitch. Thread sizes stated are

Order No.	d ₁	l ₁ +/- 0.2	l ₂	l ₃	l ₄ max.	A/F
WN0504.030-005-NP	M 3	5	6	2.5	1.0	5.5
WN0504.030-008-NP	M 3	8	6	5.0	1.0	5.5
WN0504.030-010-NP	M 3	10	6	5.0	1.0	5.5
WN0504.030-012-NP	M 3	12	6	6.5	1.0	5.5
WN0504.030-015-NP	M 3	15	6	7.5	1.0	5.5
WN0504.030-018-NP	M 3	18	6	8.0	1.0	5.5
WN0504.030-020-NP	M 3	20	6	7.0	1.0	5.5
WN0504.030-025-NP	M 3	25	6	7.0	1.0	5.5
WN0504.030-030-NP	M 3	30	6	7.0	1.0	5.5
WN0504.040-005-NP	M 4	5	8	2.3	1.4	7.0
WN0504.040-008-NP	M 4	8	8	4.5	1.4	7.0
WN0504.040-010-NP	M 4	10	8	6.0	1.4	7.0
WN0504.040-012-NP	M 4	12	8	8.0	1.4	7.0
WN0504.040-015-NP	M 4	15	8	9.0	1.4	7.0
WN0504.040-018-NP	M 4	18	8	9.0	1.4	7.0
WN0504.040-020-NP	M 4	20	8	9.0	1.4	7.0
WN0504.040-025-NP	M 4	25	8	9.0	1.4	7.0
WN0504.040-030-NP	M 4	30	8	9.0	1.4	7.0
WN0504.040-035-NP	M 4	35	8	9.0	1.4	7.0
WN0504.050-008-NP	M 5	8	10	5.0	1.6	8.0
WN0504.050-010-NP	M 5	10	10	5.5	1.6	8.0
WN0504.050-012-NP	M 5	12	10	8.0	1.6	8.0
WN0504.050-015-NP	M 5	15	10	9.0	1.6	8.0
WN0504.050-018-NP	M 5	18	10	10.0	1.6	8.0
WN0504.050-020-NP	M 5	20	10	11.0	1.6	8.0
WN0504.050-025-NP	M 5	25	10	11.0	1.6	8.0
WN0504.050-030-NP	M 5	30	10	11.0	1.6	8.0
WN0504.050-035-NP	M 5	35	10	11.0	1.6	8.0
WN0504.050-040-NP	M 5	40	10	11.0	1.6	8.0
WN0504.060-010-NP	M 6	10	12	6.0	2.0	10.0
WN0504.060-012-NP	M 6	12	12	6.0	2.0	10.0
WN0504.060-015-NP	M 6	15	12	11.0	2.0	10.0



Order No.	d ₁	l ₁ +/- 0.2	l ₂	l ₃	l ₄ max.	A/F
WN0504.060-018-NP	M 6	18	12	12.0	2.0	10.0
WN0504.060-020-NP	M 6	20	12	12.0	2.0	10.0
WN0504.060-025-NP	M 6	25	12	12.0	2.0	10.0
WN0504.060-030-NP	M 6	30	12	12.0	2.0	10.0
WN0504.060-035-NP	M 6	35	12	12.0	2.0	10.0
WN0504.060-040-NP	M 6	40	12	12.0	2.0	10.0



WN0507.NP

PEEK FASTENERS

Material

Natural Polyether-ether-ketone (PEEK).
Beige.
A high performance plastic with very good

durability and wear resistance.
PEEK has excellent chemical resistance and performs well at temperatures up to 260°C.
Tensile strength ~116N/mm².

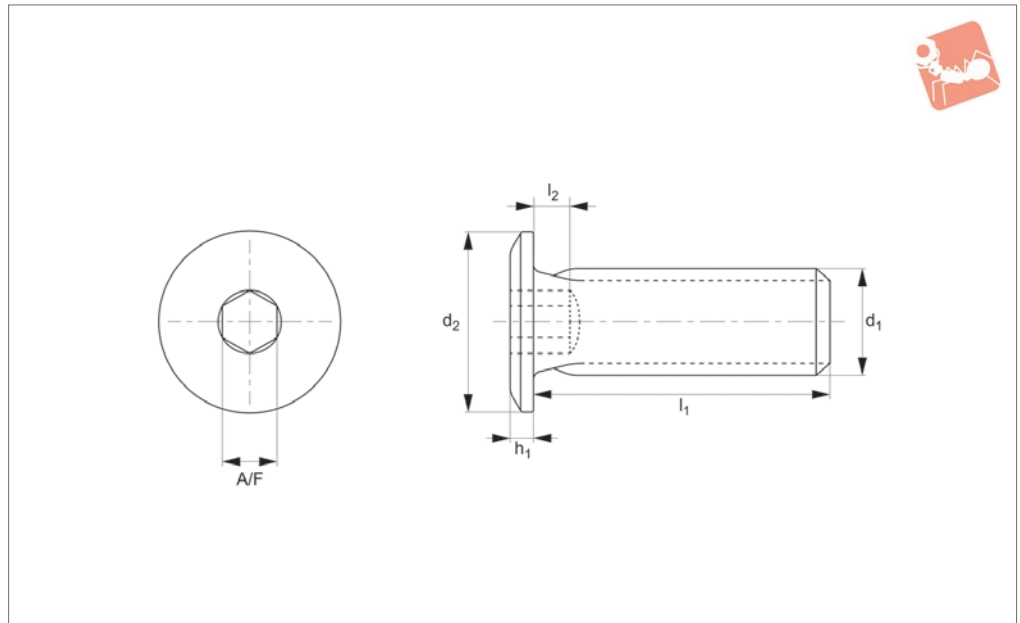
Technical Notes

UL94-V0 compliant

Order No.	d ₁	l ₁ +/- 0.2	A/F
WN0507.030-004-NP	M 3	4	1.5
WN0507.030-006-NP	M 3	6	1.5
WN0507.030-008-NP	M 3	8	1.5
WN0507.030-010-NP	M 3	10	1.5
WN0507.030-012-NP	M 3	12	1.5
WN0507.030-015-NP	M 3	15	1.5
WN0507.040-006-NP	M 4	6	2.0
WN0507.040-008-NP	M 4	8	2.0
WN0507.040-010-NP	M 4	10	2.0
WN0507.040-012-NP	M 4	12	2.0
WN0507.040-015-NP	M 4	15	2.0
WN0507.040-020-NP	M 4	20	2.0
WN0507.050-006-NP	M 5	6	2.5
WN0507.050-008-NP	M 5	8	2.5
WN0507.050-010-NP	M 5	10	2.5
WN0507.050-012-NP	M 5	12	2.5
WN0507.050-015-NP	M 5	15	2.5
WN0507.050-020-NP	M 5	20	2.5
WN0507.060-006-NP	M 6	6	3.0
WN0507.060-008-NP	M 6	8	3.0
WN0507.060-010-NP	M 6	10	3.0
WN0507.060-012-NP	M 6	12	3.0
WN0507.060-015-NP	M 6	15	3.0
WN0507.060-020-NP	M 6	20	3.0
WN0507.060-025-NP	M 6	25	3.0
WN0507.080-010-NP	M 8	10	4.0
WN0507.080-012-NP	M 8	12	4.0
WN0507.080-015-NP	M 8	15	4.0
WN0507.080-020-NP	M 8	20	4.0
WN0507.080-025-NP	M 8	25	4.0
WN0507.080-030-NP	M 8	30	4.0



WN0508.NP



Material

Polyether Ether Ketone (PEEK) is a high performance engineering plastic, known for its durability and chemical resistance. It has excellent dimensional stability and a maximum operating temperature of 260°C. Natural PEEK is used in this range which is light brown in colour.

Technical Notes

PEEK is used in the aerospace and petro-

chemical industries. For food and pharmaceutical industries we can offer these products in a compound that is FDA compliant, as well as highly optically and metal detectable.

Manufactured for industries with a hygienic requirement, these products are made with an X-Ray opaque or metal detectable filler, in blue, for optical detection. For medical

industry applications, we can offer these products in a variant of PEEK which is refined for biocompatibility. Natural PEEK is used in the aerospace and chemical industries.

UL94-V0 compliant

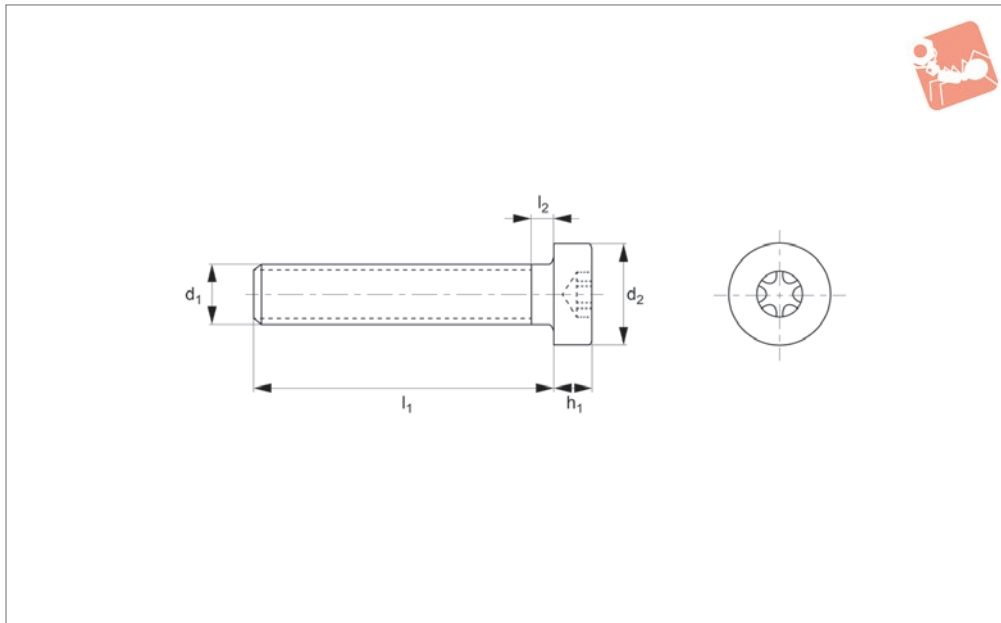
Order No.	d ₁	l ₁ +/- 0.2	d ₂	h ₁	l ₂ max.	A/F
WN0508.030-008-NP	M 3	8	6	0.8	1.0	1.5
WN0508.030-010-NP	M 3	10	6	0.8	1.0	1.5
WN0508.030-012-NP	M 3	12	6	0.8	1.0	1.5
WN0508.030-015-NP	M 3	15	6	0.8	1.0	1.5
WN0508.030-020-NP	M 3	20	6	0.8	1.0	1.5
WN0508.030-025-NP	M 3	25	6	0.8	1.0	1.5
WN0508.040-008-NP	M 4	8	8	0.9	1.4	2.0
WN0508.040-010-NP	M 4	10	8	0.9	1.4	2.0
WN0508.040-012-NP	M 4	12	8	0.9	1.4	2.0
WN0508.040-015-NP	M 4	15	8	0.9	1.4	2.0
WN0508.040-020-NP	M 4	20	8	0.9	1.4	2.0
WN0508.040-025-NP	M 4	25	8	0.9	1.4	2.0
WN0508.050-008-NP	M 5	8	9	1.0	1.6	2.5
WN0508.050-012-NP	M 5	12	9	1.0	1.6	2.5
WN0508.050-015-NP	M 5	15	9	1.0	1.6	2.5
WN0508.050-020-NP	M 5	20	9	1.0	1.6	2.5
WN0508.050-025-NP	M 5	25	9	1.0	1.6	2.5
WN0508.050-030-NP	M 5	30	9	1.0	1.6	2.5
WN0508.060-010-NP	M 6	10	10	1.2	2.0	3.0
WN0508.060-012-NP	M 6	12	10	1.2	2.0	3.0
WN0508.060-015-NP	M 6	15	10	1.2	2.0	3.0
WN0508.060-020-NP	M 6	20	10	1.2	2.0	3.0
WN0508.060-025-NP	M 6	25	10	1.2	2.0	3.0
WN0508.060-030-NP	M 6	30	10	1.2	2.0	3.0



Torx Low Cap Head Screws

Natural PEEK

PEEK Fasteners



WN0509.NP

PEEK FASTENERS

Material

Natural Polyether-ether-ketone (PEEK).
Beige.

A high performance plastic with very good durability and wear resistance. PEEK has excellent chemical resistance and performs well at temperatures up to 260°C.

Tensile strength ~116N/mm².

Technical Notes

Manufactured for industries with a hygienic requirement, these products are made with an X-Ray opaque or metal detectable filler, in blue, for optical detection.

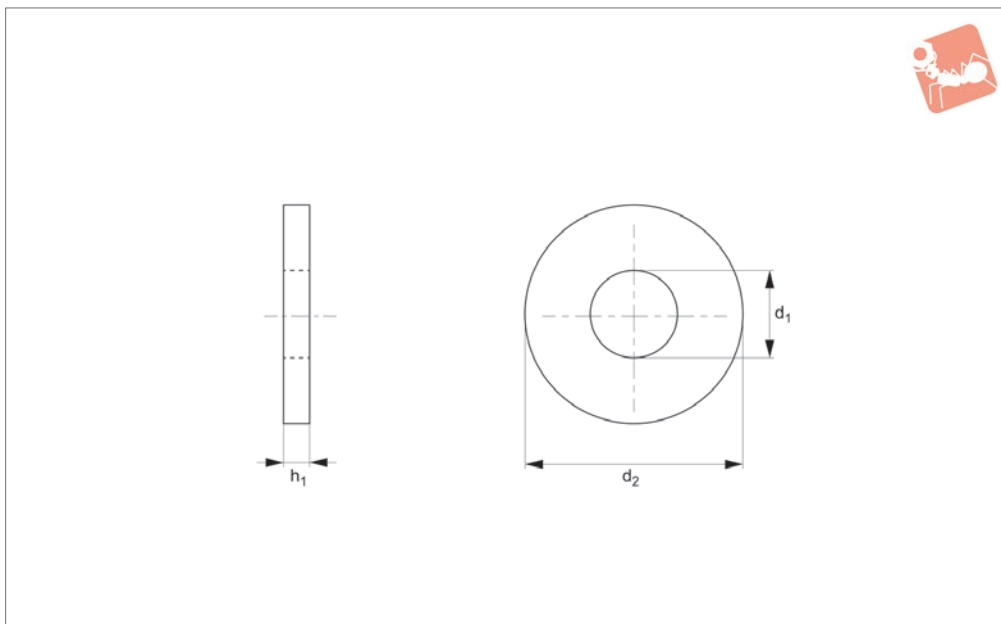
For medical industry applications, we can offer these products in a variant of PEEK which is refined for biocompatibility. Natural PEEK is used in the aerospace and chemical industries.

UL94-V0 compliant

Order No.	d ₁	l ₁ +/- 0.2	d ₂	h ₁	l ₂ max.	TX size
WN0509.030-006-NP	M 3	6	5.5	2.40	1.0	TX-10
WN0509.030-008-NP	M 3	8	5.5	2.40	1.0	TX-10
WN0509.030-010-NP	M 3	10	5.5	2.40	1.0	TX-10
WN0509.030-012-NP	M 3	12	5.5	2.40	1.0	TX-10
WN0509.030-016-NP	M 3	16	5.5	2.40	1.0	TX-10
WN0509.030-020-NP	M 3	20	5.5	2.40	1.0	TX-10
WN0509.040-006-NP	M 4	6	7.0	3.10	1.4	TX-20
WN0509.040-008-NP	M 4	8	7.0	3.10	1.4	TX-20
WN0509.040-010-NP	M 4	10	7.0	3.10	1.4	TX-20
WN0509.040-012-NP	M 4	12	7.0	3.10	1.4	TX-20
WN0509.040-016-NP	M 4	16	7.0	3.10	1.4	TX-20
WN0509.040-020-NP	M 4	20	7.0	3.10	1.4	TX-20
WN0509.040-025-NP	M 4	25	7.0	3.10	1.4	TX-20
WN0509.050-008-NP	M 5	8	8.5	3.65	1.6	TX-25
WN0509.050-010-NP	M 5	10	8.5	3.65	1.6	TX-25
WN0509.050-012-NP	M 5	12	8.5	3.65	1.6	TX-25
WN0509.050-016-NP	M 5	16	8.5	3.65	1.6	TX-25
WN0509.050-020-NP	M 5	20	8.5	3.65	1.6	TX-25
WN0509.050-025-NP	M 5	25	8.5	3.65	1.6	TX-25
WN0509.050-030-NP	M 5	30	8.5	3.65	1.6	TX-25
WN0509.060-010-NP	M 6	10	10.0	4.40	2.0	TX-30
WN0509.060-012-NP	M 6	12	10.0	4.40	2.0	TX-30
WN0509.060-016-NP	M 6	16	10.0	4.40	2.0	TX-30
WN0509.060-020-NP	M 6	20	10.0	4.40	2.0	TX-30
WN0509.060-025-NP	M 6	25	10.0	4.40	2.0	TX-30
WN0509.060-030-NP	M 6	30	10.0	4.40	2.0	TX-30
WN0509.060-040-NP	M 6	40	10.0	4.40	2.0	TX-30



WN0510.NP



Material

Natural Polyether-ether-ketone (PEEK).
Beige.
A high performance plastic with very good

durability and wear resistance. PEEK has excellent chemical resistance and performs well at temperatures up to 260°C.
Tensile strength ~116N/mm².

Technical Notes

Generally to DIN 125.
UL94-V0 compliant

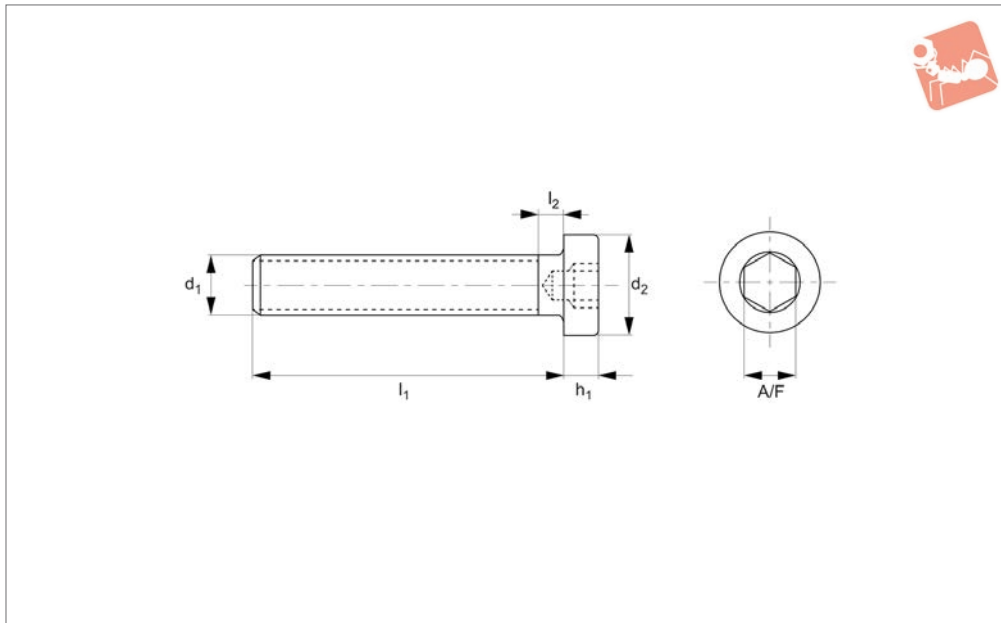
Order No.	For thread	h_1	d_1	d_2
WN0510.025-NP	M 2.5	0.5	2.7	6.0
WN0510.030-NP	M 3	0.5	3.2	7.0
WN0510.040-NP	M 4	0.8	4.3	9.0
WN0510.050-NP	M 5	1.0	5.3	10.0
WN0510.060-NP	M 6	1.6	6.4	12.5
WN0510.080-NP	M 8	1.6	8.4	17.0
WN0510.100-NP	M 10	2.0	10.5	21.0



Low Cap Head Hex Socket Screws

Natural PEEK

PEEK Fasteners



WN0511.NP

PEEK FASTENERS

Material

Natural Polyether-ether-ketone (PEEK).
Beige.

A high performance plastic with very good durability and wear resistance. PEEK has excellent chemical resistance and performs well at temperatures up to 260°C.

Tensile strength ~116N/mm².

Technical Notes

Manufactured for industries with a hygienic requirement, these products are made with an X-Ray opaque or metal detectable filler, in blue, for optical detection.

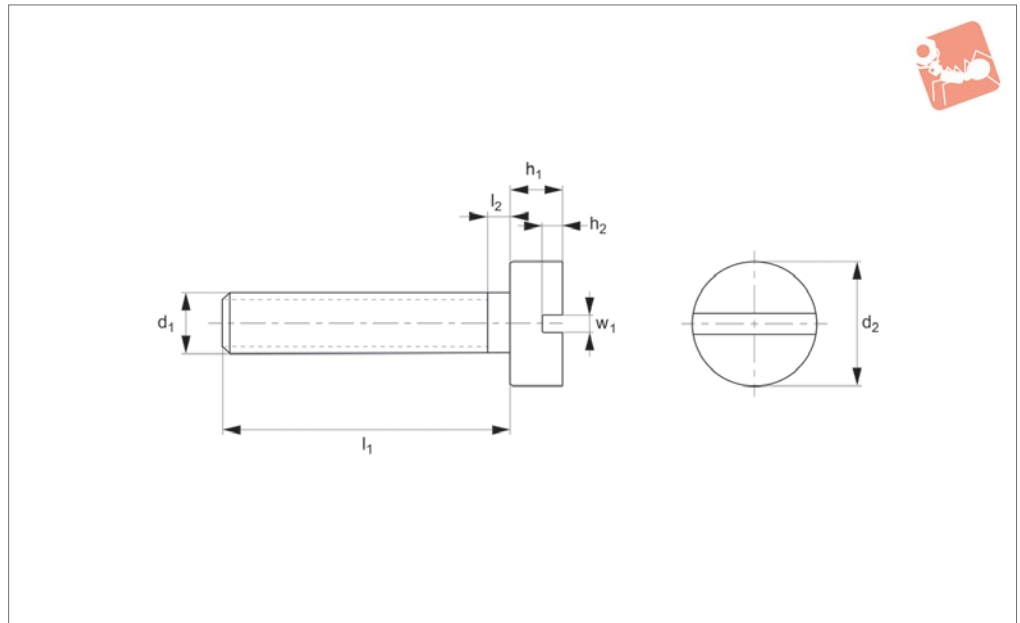
For medical industry applications, we can offer these products in a variant of PEEK which is refined for biocompatibility. Natural PEEK is used in the aerospace and chemical industries.

UL94-V0 compliant

Order No.	d ₁	l ₁ +/- 0.2	d ₂	h ₁	l ₂ max.	A/F
WN0511.030-006-NP	M 3	6	5.5	2.40	1.0	2.0
WN0511.030-008-NP	M 3	8	5.5	2.40	1.0	2.0
WN0511.030-010-NP	M 3	10	5.5	2.40	1.0	2.0
WN0511.030-012-NP	M 3	12	5.5	2.40	1.0	2.0
WN0511.030-016-NP	M 3	16	5.5	2.40	1.0	2.0
WN0511.030-020-NP	M 3	20	5.5	2.40	1.0	2.0
WN0511.040-006-NP	M 4	6	7.0	3.10	1.4	2.5
WN0511.040-008-NP	M 4	8	7.0	3.10	1.4	2.5
WN0511.040-010-NP	M 4	10	7.0	3.10	1.4	2.5
WN0511.040-012-NP	M 4	12	7.0	3.10	1.4	2.5
WN0511.040-016-NP	M 4	16	7.0	3.10	1.4	2.5
WN0511.040-020-NP	M 4	20	7.0	3.10	1.4	2.5
WN0511.040-025-NP	M 4	25	7.0	3.10	1.4	2.5
WN0511.050-008-NP	M 5	8	8.5	3.65	1.6	3.0
WN0511.050-010-NP	M 5	10	8.5	3.65	1.6	3.0
WN0511.050-012-NP	M 5	12	8.5	3.65	1.6	3.0
WN0511.050-016-NP	M 5	16	8.5	3.65	1.6	3.0
WN0511.050-020-NP	M 5	20	8.5	3.65	1.6	3.0
WN0511.050-025-NP	M 5	25	8.5	3.65	1.6	3.0
WN0511.050-030-NP	M 5	30	8.5	3.65	1.6	3.0
WN0511.060-010-NP	M 6	10	10.0	4.40	2.0	4.0
WN0511.060-012-NP	M 6	12	10.0	4.40	2.0	4.0
WN0511.060-016-NP	M 6	16	10.0	4.40	2.0	4.0
WN0511.060-020-NP	M 6	20	10.0	4.40	2.0	4.0
WN0511.060-025-NP	M 6	25	10.0	4.40	2.0	4.0
WN0511.060-030-NP	M 6	30	10.0	4.40	2.0	4.0
WN0511.060-040-NP	M 6	40	10.0	4.40	2.0	4.0



WN0512.NP



PEEK FASTENERS

Material

Natural Polyether-ether-ketone (PEEK).
Beige.

A high performance plastic with very good durability and wear resistance. PEEK has excellent chemical resistance and performs well at temperatures up to 260°C.

Tensile strength ~116N/mm².

Technical Notes

To DIN 84.
Manufactured for industries with a hygienic requirement, these products are made with an X-Ray opaque or metal detectable filler, in blue, for optical detection. For medical

industry applications, we can offer these products in a variant of PEEK which is refined for biocompatibility. Natural PEEK is used in the aerospace and chemical industries.

UL94-V0 compliant

Order No.	d ₁	l ₁ +/- 0.2	d ₂	h ₁	l ₂ max.	h ₂	w ₁
WN0512.020-006-NP	M 2	6	3.8	1.4	0.8	0.6	0.5
WN0512.020-008-NP	M 2	8	3.8	1.4	0.8	0.6	0.5
WN0512.020-010-NP	M 2	10	3.8	1.4	0.8	0.6	0.5
WN0512.020-012-NP	M 2	12	3.8	1.4	0.8	0.6	0.5
WN0512.020-015-NP	M 2	15	3.8	1.4	0.8	0.6	0.5
WN0512.020-020-NP	M 2	20	3.8	1.4	0.8	0.6	0.5
WN0512.025-006-NP	M 2.5	6	4.5	1.8	0.9	0.7	0.6
WN0512.025-008-NP	M 2.5	8	4.5	1.8	0.9	0.7	0.6
WN0512.025-010-NP	M 2.5	10	4.5	1.8	0.9	0.7	0.6
WN0512.025-012-NP	M 2.5	12	4.5	1.8	0.9	0.7	0.6
WN0512.025-015-NP	M 2.5	15	4.5	1.8	0.9	0.7	0.6
WN0512.025-020-NP	M 2.5	20	4.5	1.8	0.9	0.7	0.6
WN0512.030-005-NP	M 3	4	5.5	2.0	1.0	0.8	0.8
WN0512.030-006-NP	M 3	6	5.5	2.0	1.0	0.8	0.8
WN0512.030-008-NP	M 3	8	5.5	2.0	1.0	0.8	0.8
WN0512.030-010-NP	M 3	10	5.5	2.0	1.0	0.8	0.8
WN0512.030-012-NP	M 3	12	5.5	2.0	1.0	0.8	0.8
WN0512.030-015-NP	M 3	15	5.5	2.0	1.0	0.8	0.8
WN0512.030-020-NP	M 3	20	5.5	2.0	1.0	0.8	0.8
WN0512.030-025-NP	M 3	25	5.5	2.0	1.0	0.8	0.8
WN0512.030-030-NP	M 3	30	5.5	2.0	1.0	0.8	0.8
WN0512.040-006-NP	M 4	6	7.0	2.6	1.4	1.1	1.2
WN0512.040-008-NP	M 4	8	7.0	2.6	1.4	1.1	1.2
WN0512.040-010-NP	M 4	10	7.0	2.6	1.4	1.1	1.2
WN0512.040-012-NP	M 4	12	7.0	2.6	1.4	1.1	1.2
WN0512.040-015-NP	M 4	15	7.0	2.6	1.4	1.1	1.2
WN0512.040-020-NP	M 4	20	7.0	2.6	1.4	1.1	1.2
WN0512.040-025-NP	M 4	25	7.0	2.6	1.4	1.1	1.2
WN0512.050-008-NP	M 5	8	8.5	3.3	1.6	1.3	1.2



Slotted Cheese Head Screw

Natural PEEK



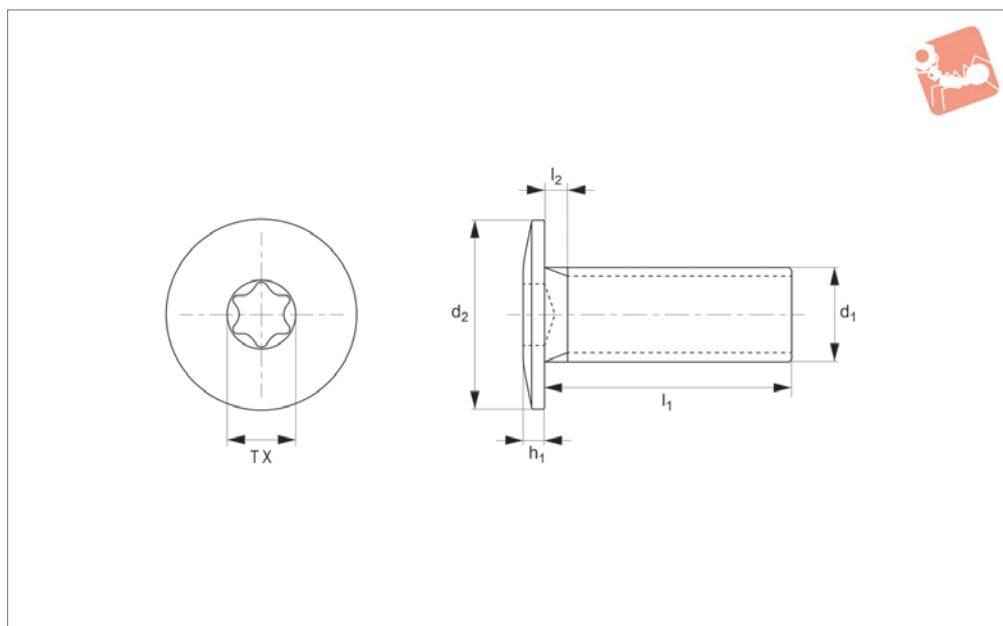
PEEK Fasteners

Order No.	d ₁	l ₁ +/- 0.2	d ₂	h ₁	l ₂ max.	h ₂	w ₁
WN0512.050-010-NP	M 5	10	8.5	3.3	1.6	1.3	1.2
WN0512.050-012-NP	M 5	12	8.5	3.3	1.6	1.3	1.2
WN0512.050-015-NP	M 5	15	8.5	3.3	1.6	1.3	1.2
WN0512.050-020-NP	M 5	20	8.5	3.3	1.6	1.3	1.2
WN0512.050-030-NP	M 5	30	8.5	3.3	1.6	1.3	1.2
WN0512.060-008-NP	M 6	8	10.0	3.9	2.0	1.6	1.6
WN0512.060-010-NP	M 6	10	10.0	3.9	2.0	1.6	1.6
WN0512.060-012-NP	M 6	12	10.0	3.9	2.0	1.6	1.6
WN0512.060-015-NP	M 6	15	10.0	3.9	2.0	1.6	1.6
WN0512.060-020-NP	M 6	20	10.0	3.9	2.0	1.6	1.6
WN0512.060-025-NP	M 6	25	10.0	3.9	2.0	1.6	1.6
WN0512.060-030-NP	M 6	30	10.0	3.9	2.0	1.6	1.6
WN0512.060-035-NP	M 6	35	10.0	3.9	2.0	1.6	1.6
WN0512.060-040-NP	M 6	40	10.0	3.9	2.0	1.6	1.6
WN0512.080-010-NP	M 8	10	13.0	5.0	2.5	2.0	2.3
WN0512.080-015-NP	M 8	15	13.0	5.0	2.5	2.0	2.3
WN0512.080-020-NP	M 8	20	13.0	5.0	2.5	2.0	2.3
WN0512.080-025-NP	M 8	25	13.0	5.0	2.5	2.0	2.3
WN0512.080-030-NP	M 8	30	13.0	5.0	2.5	2.0	2.3
WN0512.080-035-NP	M 8	35	13.0	5.0	2.5	2.0	2.3
WN0512.080-040-NP	M 8	40	13.0	5.0	2.5	2.0	2.3

PEEK FASTENERS



WN0513.NP



Material

Natural Polyether-ether-ketone (PEEK).
Beige.

A high performance plastic with very good durability and wear resistance. PEEK has excellent chemical resistance and performs well at temperatures up to 260°C.

Tensile strength ~116N/mm².

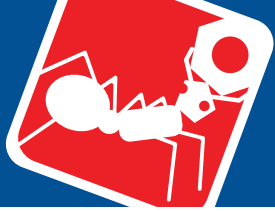
Technical Notes

Manufactured for industries with a hygienic requirement, these products are made with an X-Ray opaque or metal detectable filler, in blue, for optical detection.

For medical industry applications, we can offer these products in a variant of PEEK which is refined for biocompatibility. Natural PEEK is used in the aerospace and chemical industries.

UL94-V0 compliant

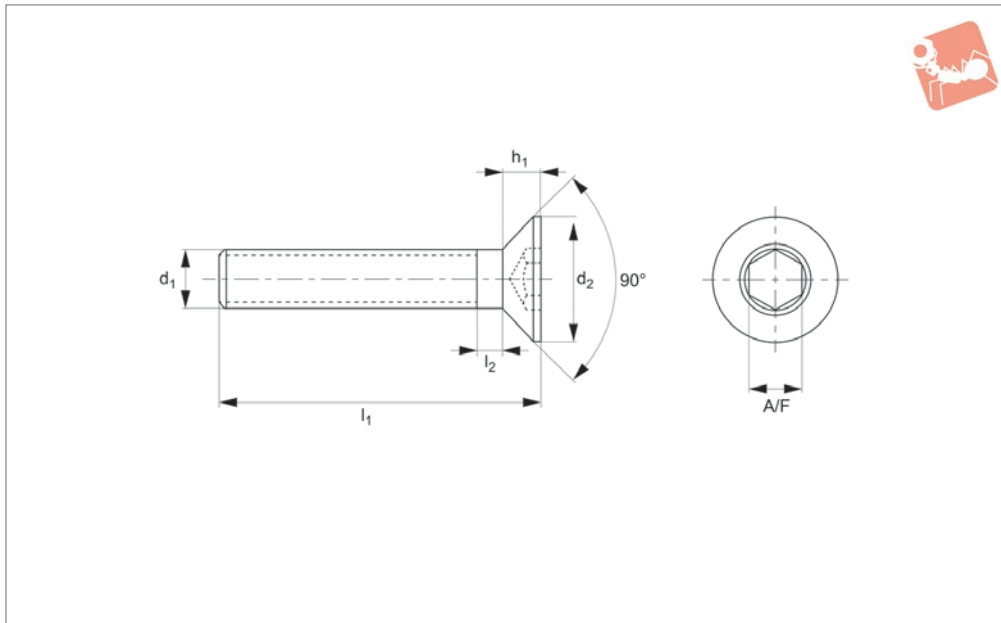
Order No.	d ₁	l ₁ +/- 0.2	d ₂	h ₁	l ₂ max.	TX size
WN0513.030-006-NP	M 3	6	6	1.3	1.0	8
WN0513.030-008-NP	M 3	8	6	1.3	1.0	8
WN0513.030-010-NP	M 3	10	6	1.3	1.0	8
WN0513.030-012-NP	M 3	12	6	1.3	1.0	8
WN0513.030-016-NP	M 3	16	6	1.3	1.0	8
WN0513.030-020-NP	M 3	20	6	1.3	1.0	8
WN0513.040-006-NP	M 4	6	8	1.5	1.4	10
WN0513.040-008-NP	M 4	8	8	1.5	1.4	10
WN0513.040-010-NP	M 4	10	8	1.5	1.4	10
WN0513.040-012-NP	M 4	12	8	1.5	1.4	10
WN0513.040-016-NP	M 4	16	8	1.5	1.4	10
WN0513.040-020-NP	M 4	20	8	1.5	1.4	10
WN0513.040-025-NP	M 4	25	8	1.5	1.4	10
WN0513.050-008-NP	M 5	8	9	1.5	1.6	15
WN0513.050-010-NP	M 5	10	9	1.5	1.6	15
WN0513.050-012-NP	M 5	12	9	1.5	1.6	15
WN0513.050-016-NP	M 5	16	9	1.5	1.6	15
WN0513.050-020-NP	M 5	20	9	1.5	1.6	15
WN0513.050-025-NP	M 5	25	9	1.5	1.6	15
WN0513.050-030-NP	M 5	30	9	1.5	1.6	15
WN0513.060-010-NP	M 6	10	10	1.5	2.0	20
WN0513.060-012-NP	M 6	12	10	1.5	2.0	20
WN0513.060-016-NP	M 6	16	10	1.5	2.0	20
WN0513.060-020-NP	M 6	20	10	1.5	2.0	20
WN0513.060-025-NP	M 6	25	10	1.5	2.0	20
WN0513.060-030-NP	M 6	30	10	1.5	2.0	20
WN0513.060-035-NP	M 6	35	10	1.5	2.0	20
WN0513.060-040-NP	M 6	40	10	1.5	2.0	20



Countersunk Hexagon Head Screws

Natural PEEK

PEEK Fasteners



WN0514.NP

PEEK FASTENERS

Material

Natural Polyether-ether-ketone (PEEK).
Beige.

A high performance plastic with very good durability and wear resistance. PEEK has excellent chemical resistance and performs well at temperatures up to 260°C. Tensile strength ~116N/mm².

Technical Notes

Generally to DIN 7991.
Manufactured for industries with a hygienic requirement, these products are made with an X-Ray opaque or metal detectable filler, in blue, for optical detection. For medical industry applications, we can offer these products in a variant of PEEK which is

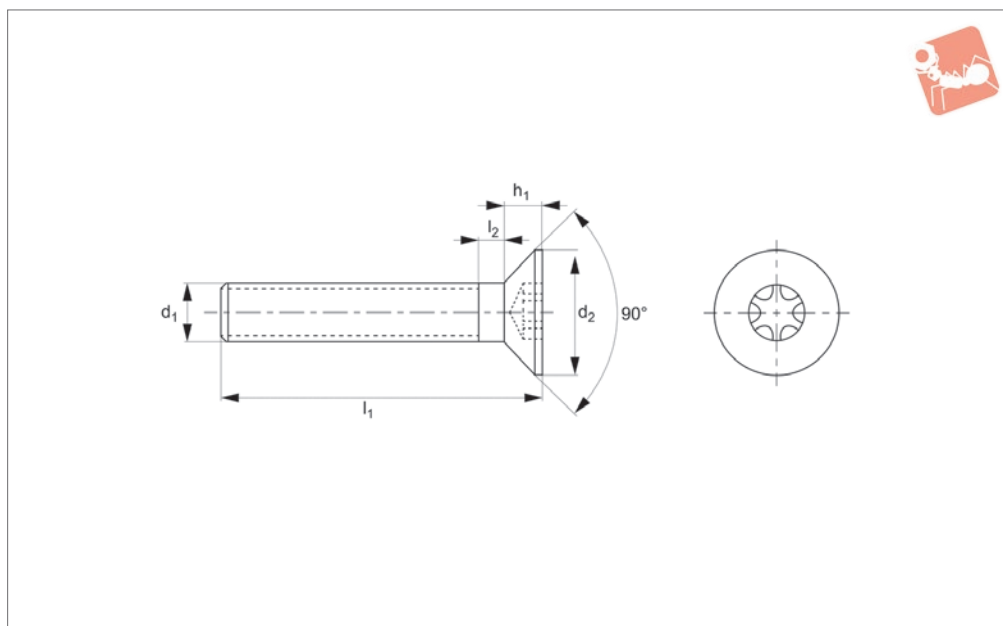
refined for biocompatibility. Natural PEEK is used in the aerospace and chemical industries.

UL94-V0 compliant

Order No.	d ₁	l ₁ +/- 0.2	d ₂	h ₁	l ₂ max.	A/F
WN0514.030-008-NP	M 3	8	6	1.7	1.0	2.0
WN0514.030-010-NP	M 3	10	6	1.7	1.0	2.0
WN0514.030-012-NP	M 3	12	6	1.7	1.0	2.0
WN0514.030-016-NP	M 3	16	6	1.7	1.0	2.0
WN0514.030-020-NP	M 3	20	6	1.7	1.0	2.0
WN0514.040-008-NP	M 4	8	8	2.3	1.4	2.5
WN0514.040-010-NP	M 4	10	8	2.3	1.4	2.5
WN0514.040-012-NP	M 4	12	8	2.3	1.4	2.5
WN0514.040-016-NP	M 4	16	8	2.3	1.4	2.5
WN0514.040-020-NP	M 4	20	8	2.3	1.4	2.5
WN0514.040-025-NP	M 4	25	8	2.3	1.4	2.5
WN0514.050-008-NP	M 5	8	10	2.8	1.6	3.0
WN0514.050-010-NP	M 5	10	10	2.8	1.6	3.0
WN0514.050-012-NP	M 5	12	10	2.8	1.6	3.0
WN0514.050-016-NP	M 5	16	10	2.8	1.6	3.0
WN0514.050-020-NP	M 5	20	10	2.8	1.6	3.0
WN0514.050-025-NP	M 5	25	10	2.8	1.6	3.0
WN0514.050-030-NP	M 5	30	10	2.8	1.6	3.0
WN0514.060-008-NP	M 6	8	12	3.3	2.0	4.0
WN0514.060-010-NP	M 6	10	12	3.3	2.0	4.0
WN0514.060-012-NP	M 6	12	12	3.3	2.0	4.0
WN0514.060-015-NP	M 6	15	12	3.3	2.0	4.0
WN0514.060-016-NP	M 6	16	12	3.3	2.0	4.0
WN0514.060-020-NP	M 6	20	12	3.3	2.0	4.0
WN0514.060-025-NP	M 6	25	12	3.3	2.0	4.0
WN0514.060-030-NP	M 6	30	12	3.3	2.0	4.0
WN0514.060-035-NP	M 6	35	12	3.3	2.0	4.0



WN0515.NP



Material

Natural Polyether-ether-ketone (PEEK).
Beige.

A high performance plastic with very good durability and wear resistance. PEEK has excellent chemical resistance and performs well at temperatures up to 260°C.

Tensile strength ~116N/mm².

Technical Notes

Manufactured for industries with a hygienic requirement, these products are made with an X-Ray opaque or metal detectable filler, in blue, for optical detection.

For medical industry applications, we can offer these products in a variant of PEEK which is refined for biocompatibility. Natural PEEK is used in the aerospace and chemical industries.

UL94-V0 compliant

Order No.	d ₁	l ₁ +/- 0.2	d ₂	l ₂ max.	h ₁	Size
WN0515.020-004-NP	M 2	4	4	0.8	1.20	TX-6
WN0515.020-006-NP	M 2	6	4	0.8	1.20	TX-6
WN0515.020-008-NP	M 2	8	4	0.8	1.20	TX-6
WN0515.020-010-NP	M 2	10	4	0.8	1.20	TX-6
WN0515.020-012-NP	M 2	12	4	0.8	1.20	TX-6
WN0515.020-015-NP	M 2	15	4	0.8	1.20	TX-6
WN0515.020-020-NP	M 2	20	4	0.8	1.20	TX-6
WN0515.025-004-NP	M 2.5	4	4	0.9	1.50	TX-8
WN0515.025-006-NP	M 2.5	6	5	0.9	1.50	TX-8
WN0515.025-008-NP	M 2.5	8	5	0.9	1.50	TX-8
WN0515.025-010-NP	M 2.5	10	5	0.9	1.50	TX-8
WN0515.025-012-NP	M 2.5	12	5	0.9	1.50	TX-8
WN0515.025-015-NP	M 2.5	15	5	0.9	1.50	TX-8
WN0515.025-020-NP	M 2.5	20	5	0.9	1.50	TX-8
WN0515.030-004-NP	M 3	4	6	1.0	1.65	TX-10
WN0515.030-006-NP	M 3	6	6	1.0	1.65	TX-10
WN0515.030-008-NP	M 3	8	6	1.0	1.65	TX-10
WN0515.030-010-NP	M 3	10	6	1.0	1.65	TX-10
WN0515.030-012-NP	M 3	12	6	1.0	1.65	TX-10
WN0515.030-015-NP	M 3	15	6	1.0	1.65	TX-10
WN0515.030-020-NP	M 3	20	6	1.0	1.65	TX-10
WN0515.030-025-NP	M 3	25	6	1.0	1.65	TX-10
WN0515.030-030-NP	M 3	30	6	1.0	1.65	TX-10
WN0515.040-006-NP	M 4	6	8	1.4	2.20	TX-20
WN0515.040-008-NP	M 4	8	8	1.4	2.20	TX-20
WN0515.040-010-NP	M 4	10	8	1.4	2.20	TX-20
WN0515.040-012-NP	M 4	12	8	1.4	2.20	TX-20
WN0515.040-015-NP	M 4	15	8	1.4	2.20	TX-20
WN0515.040-020-NP	M 4	20	8	1.4	2.20	TX-20
WN0515.040-025-NP	M 4	25	8	1.4	2.20	TX-20
WN0515.040-030-NP	M 4	30	8	1.4	2.20	TX-20



Torx Countersunk Head Screws

Natural PEEK



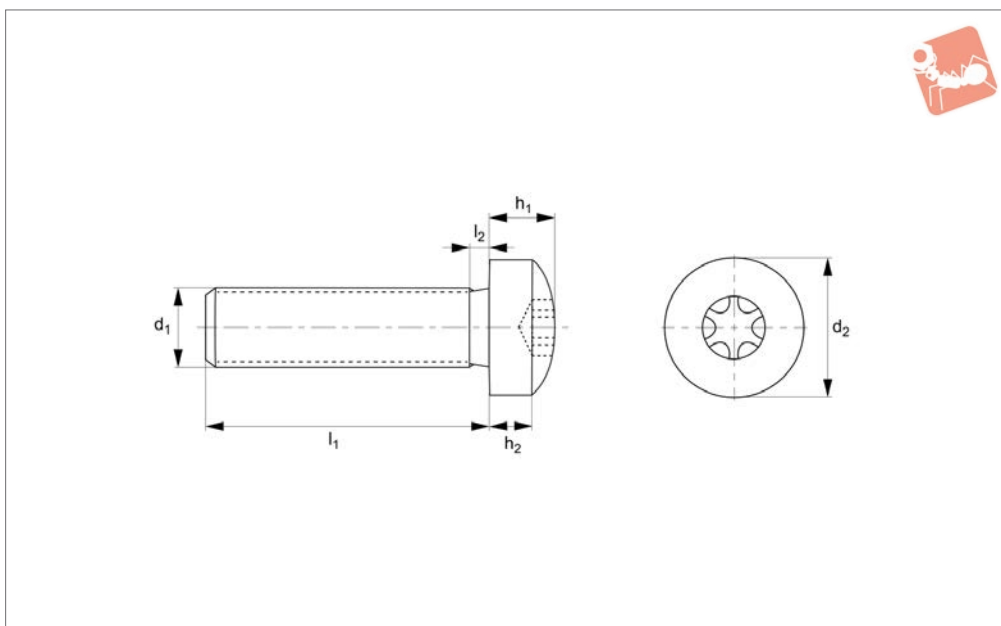
PEEK Fasteners

Order No.	d ₁	l ₁ +/- 0.2	d ₂	l ₂ max.	h ₁	Size
WN0515.050-008-NP	M 5	8	10	1.6	2.50	TX-25
WN0515.050-010-NP	M 5	10	10	1.6	2.50	TX-25
WN0515.050-012-NP	M 5	12	10	1.6	2.50	TX-25
WN0515.050-015-NP	M 5	15	10	1.6	2.50	TX-25
WN0515.050-020-NP	M 5	20	10	1.6	2.50	TX-25
WN0515.050-025-NP	M 5	25	10	1.6	2.50	TX-25
WN0515.050-030-NP	M 5	30	10	1.6	2.50	TX-25
WN0515.060-008-NP	M 6	8	12	2.0	3.00	TX-30
WN0515.060-010-NP	M 6	10	12	2.0	3.00	TX-30
WN0515.060-012-NP	M 6	12	12	2.0	3.00	TX-30
WN0515.060-015-NP	M 6	15	12	2.0	3.00	TX-30
WN0515.060-020-NP	M 6	20	12	2.0	3.00	TX-30
WN0515.060-025-NP	M 6	25	12	2.0	3.00	TX-30
WN0515.060-030-NP	M 6	30	12	2.0	3.00	TX-30
WN0515.080-010-NP	M 8	10	16	2.5	4.00	TX-35
WN0515.080-015-NP	M 8	15	16	2.5	4.00	TX-35
WN0515.080-020-NP	M 8	20	16	2.5	4.00	TX-35
WN0515.080-025-NP	M 8	25	16	2.5	4.00	TX-35
WN0515.080-030-NP	M 8	30	16	2.5	4.00	TX-35

PEEK FASTENERS



WN0520.NP



Material

Natural Polyether-ether-ketone (PEEK).
Beige.

A high performance plastic with very good durability and wear resistance. PEEK has excellent chemical resistance and performs well at temperatures up to 260°C.

Tensile strength ~116N/mm².

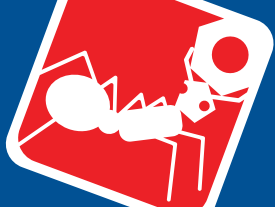
Technical Notes

Manufactured for industries with a hygienic requirement, these products are made with an X-Ray opaque or metal detectable filler, in blue, for optical detection.

For medical industry applications, we can offer these products in a variant of PEEK which is refined for biocompatibility. Natural PEEK is used in the aerospace and chemical industries.

UL94-V0 compliant

Order No.	d ₁	l ₁ +/- 0.2	d ₂	h ₁	Size	h ₂	l ₂ max.
WN0520.020-004-NP	M 2	4	4	1.6	TX-6	1.1	0.8
WN0520.020-006-NP	M 2	6	4	1.6	TX-6	1.1	0.8
WN0520.020-008-NP	M 2	8	4	1.6	TX-6	1.1	0.8
WN0520.020-010-NP	M 2	10	4	1.6	TX-6	1.1	0.8
WN0520.020-012-NP	M 2	12	4	1.6	TX-6	1.1	0.8
WN0520.020-015-NP	M 2	15	4	1.6	TX-6	1.1	0.8
WN0520.020-020-NP	M 2	20	4	1.6	TX-6	1.1	0.8
WN0520.025-004-NP	M 2.5	4	5	2.0	TX-8	1.3	0.9
WN0520.025-006-NP	M 2.5	6	5	2.0	TX-8	1.3	0.9
WN0520.025-008-NP	M 2.5	8	5	2.0	TX-8	1.3	0.9
WN0520.025-010-NP	M 2.5	10	5	2.0	TX-8	1.3	0.9
WN0520.025-012-NP	M 2.5	12	5	2.0	TX-8	1.3	0.9
WN0520.025-015-NP	M 2.5	15	5	2.0	TX-8	1.3	0.9
WN0520.025-020-NP	M 2.5	20	5	2.0	TX-8	1.3	0.9
WN0520.030-004-NP	M 3	4	6	2.4	TX-10	1.6	1.0
WN0520.030-006-NP	M 3	6	6	2.4	TX-10	1.6	1.0
WN0520.030-008-NP	M 3	8	6	2.4	TX-10	1.6	1.0
WN0520.030-010-NP	M 3	10	6	2.4	TX-10	1.6	1.0
WN0520.030-012-NP	M 3	12	6	2.4	TX-10	1.6	1.0
WN0520.030-015-NP	M 3	15	6	2.4	TX-10	1.6	1.0
WN0520.030-020-NP	M 3	20	6	2.4	TX-10	1.6	1.0
WN0520.030-025-NP	M 3	25	6	2.4	TX-10	1.6	1.0
WN0520.030-030-NP	M 3	30	6	2.4	TX-10	1.6	1.0
WN0520.040-006-NP	M 4	6	8	3.1	TX-20	2.0	1.4
WN0520.040-008-NP	M 4	8	8	3.1	TX-20	2.0	1.4
WN0520.040-010-NP	M 4	10	8	3.1	TX-20	2.0	1.4
WN0520.040-012-NP	M 4	12	8	3.1	TX-20	2.0	1.4
WN0520.040-015-NP	M 4	15	8	3.1	TX-20	2.0	1.4
WN0520.040-020-NP	M 4	20	8	3.1	TX-20	2.0	1.4
WN0520.040-025-NP	M 4	25	8	3.1	TX-20	2.0	1.4
WN0520.040-030-NP	M 4	30	8	3.1	TX-20	2.0	1.4



Torx Pan Head Screws

Natural PEEK



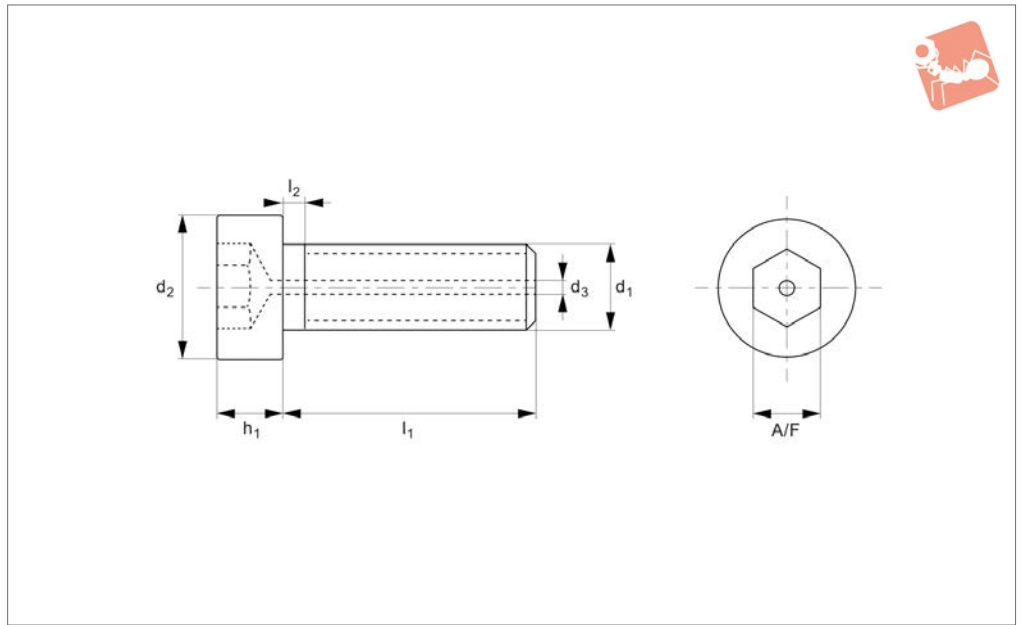
PEEK Fasteners

Order No.	d ₁	l ₁ +/- 0.2	d ₂	h ₁	Size	h ₂	l ₂ max.
WN0520.050-006-NP	M 5	6	10	3.8	TX-25	2.5	1.6
WN0520.050-008-NP	M 5	8	10	3.8	TX-25	2.5	1.6
WN0520.050-010-NP	M 5	10	10	3.8	TX-25	2.5	1.6
WN0520.050-012-NP	M 5	12	10	3.8	TX-25	2.5	1.6
WN0520.050-015-NP	M 5	15	10	3.8	TX-25	2.5	1.6
WN0520.050-020-NP	M 5	20	10	3.8	TX-25	2.5	1.6
WN0520.050-025-NP	M 5	25	10	3.8	TX-25	2.5	1.6
WN0520.050-030-NP	M 5	30	10	3.8	TX-25	2.5	1.6
WN0520.060-008-NP	M 6	8	12	4.6	TX-30	3.0	2.0
WN0520.060-010-NP	M 6	10	12	4.6	TX-30	3.0	2.0
WN0520.060-012-NP	M 6	12	12	4.6	TX-30	3.0	2.0
WN0520.060-015-NP	M 6	15	12	4.6	TX-30	3.0	2.0
WN0520.060-020-NP	M 6	20	12	4.6	TX-30	3.0	2.0
WN0520.060-025-NP	M 6	25	12	4.6	TX-30	3.0	2.0
WN0520.060-030-NP	M 6	30	12	4.6	TX-30	3.0	2.0
WN0520.060-035-NP	M 6	35	12	4.6	TX-30	3.0	2.0
WN0520.060-040-NP	M 6	40	12	4.6	TX-30	3.0	2.0
WN0520.080-010-NP	M 8	10	16	6.0	TX-40	3.7	2.5
WN0520.080-015-NP	M 8	15	16	6.0	TX-40	3.7	2.5
WN0520.080-020-NP	M 8	20	16	6.0	TX-40	3.7	2.5
WN0520.080-025-NP	M 8	25	16	6.0	TX-40	3.7	2.5
WN0520.080-030-NP	M 8	30	16	6.0	TX-40	3.7	2.5
WN0520.080-035-NP	M 8	35	16	6.0	TX-40	3.7	2.5
WN0520.080-040-NP	M 8	40	16	6.0	TX-40	3.7	2.5

PEEK FASTENERS



WN530.NP



Material

Natural Polyether-ether-ketone (PEEK).
Beige.

A high performance plastic with very good durability and wear resistance. PEEK has excellent chemical resistance and performs well at temperatures up to 260°C.

Tensile strength ~116N/mm².

Technical Notes

Manufactured for industries with a hygienic requirement, these products are made with an X-Ray opaque or metal detectable filler, in blue, for optical detection.

For medical industry applications, we can

offer these products in a variant of PEEK which is refined for biocompatibility. Natural PEEK is used in the aerospace and chemical industries.

UL94-V0 compliant

Order No.	d ₁	l ₁ +/- 0.2	d ₂	d ₃	h ₁	l ₂ max.	A/F
WN0530.030-006-NP	M 3	6	5.5	1.0	3.0	1.0	2.5
WN0530.030-008-NP	M 3	8	5.5	1.0	3.0	1.0	2.5
WN0530.030-010-NP	M 3	10	5.5	1.0	3.0	1.0	2.5
WN0530.030-012-NP	M 3	12	5.5	1.0	3.0	1.0	2.5
WN0530.030-015-NP	M 3	15	5.5	1.0	3.0	1.0	2.5
WN0530.030-020-NP	M 3	20	5.5	1.0	3.0	1.0	2.5
WN0530.040-006-NP	M 4	6	7.0	1.0	4.0	1.4	3.0
WN0530.040-008-NP	M 4	8	7.0	1.0	4.0	1.4	3.0
WN0530.040-010-NP	M 4	10	7.0	1.0	4.0	1.4	3.0
WN0530.040-012-NP	M 4	12	7.0	1.0	4.0	1.4	3.0
WN0530.040-015-NP	M 4	15	7.0	1.0	4.0	1.4	3.0
WN0530.040-020-NP	M 4	20	7.0	1.0	4.0	1.4	3.0
WN0530.040-025-NP	M 4	25	7.0	1.0	4.0	1.4	3.0
WN0530.040-030-NP	M 4	30	7.0	1.0	4.0	1.4	3.0
WN0530.050-008-NP	M 5	8	8.5	1.3	5.0	1.6	4.0
WN0530.050-010-NP	M 5	10	8.5	1.3	5.0	1.6	4.0
WN0530.050-012-NP	M 5	12	8.5	1.3	5.0	1.6	4.0
WN0530.050-015-NP	M 5	15	8.5	1.3	5.0	1.6	4.0
WN0530.050-020-NP	M 5	20	8.5	1.3	5.0	1.6	4.0
WN0530.050-025-NP	M 5	25	8.5	1.3	5.0	1.6	4.0
WN0530.050-030-NP	M 5	30	8.5	1.3	5.0	1.6	4.0
WN0530.060-008-NP	M 6	8	10.0	1.6	6.0	2.0	5.0
WN0530.060-010-NP	M 6	10	10.0	1.6	6.0	2.0	5.0
WN0530.060-012-NP	M 6	12	10.0	1.6	6.0	2.0	5.0
WN0530.060-015-NP	M 6	15	10.0	1.6	6.0	2.0	5.0
WN0530.060-020-NP	M 6	20	10.0	1.6	6.0	2.0	5.0
WN0530.060-025-NP	M 6	25	10.0	1.6	6.0	2.0	5.0
WN0530.060-030-NP	M 6	30	10.0	1.6	6.0	2.0	5.0
WN0530.080-010-NP	M 8	10	13.0	1.8	8.0	2.5	6.0



Cap Head Vented Screws

Natural PEEK



PEEK Fasteners

Order No.	d ₁	l ₁ +/- 0.2	d ₂	d ₃	h ₁	l ₂ max.	A/F
WN0530.080-015-NP	M 8	15	13.0	1.8	8.0	2.5	6.0
WN0530.080-020-NP	M 8	20	13.0	1.8	8.0	2.5	6.0
WN0530.080-025-NP	M 8	25	13.0	1.8	8.0	2.5	6.0
WN0530.080-030-NP	M 8	30	13.0	1.8	8.0	2.5	6.0
WN0530.120-015-NP	M 12	15	18.0	1.8	12.0	3.5	10.0
WN0530.120-020-NP	M 12	20	18.0	1.8	12.0	3.5	10.0
WN0530.120-025-NP	M 12	25	18.0	1.8	12.0	3.5	10.0
WN0530.120-030-NP	M 12	30	18.0	1.8	12.0	3.5	10.0

PEEK FASTENERS