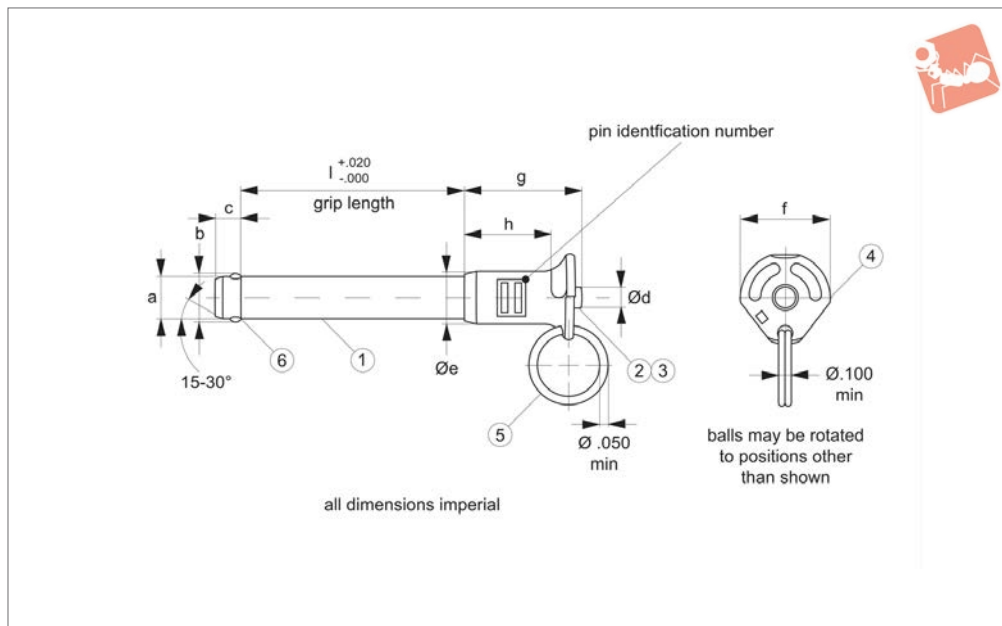




Aviation Pip-Pin - Standard B Handle

single acting - quick release pins

Ball Lock Pins & Quick Release



33600

BALL LOCK PINS & QUICK RELEASE PINS

Material

Shank (part 1) & Spindle (part 2):

CRES 17-4PH (AMS 5643), heat treated per MIL-H-6875, condition H900, min. 40 HRC, passivated per AMS2700

Spring (part 3, not shown):

CRES 302 (ASTM-A-313), heat treated per MIL-H-6875, passivated per AMS2700

Handle (part 4):

A380 (QQ-A-591), anodized (black) per MIL-A-8625

Attaching ring (part 5):

CRES 302 (ASTM-A-313), passivated per AMS2700

Ball (locking element, part 6):

CRES CL440C (AMS5630), heat treated per MIL-H-6875, passivated per AMS2700

Technical Notes

Wixroyd Aviation Pip-Pins manufactured to Aviation Norm NASM 17984 (former norm: MS 17984) and tested to NAS 1332.

Manufacture certified & assessed to EN9100D by EASE (European Aerospace Supplier Evaluation).

Temp. range -22°F to 302°F

Pressing = unlocking.

Releasing = locking.

Pip-Pins are used for frequently repeated operations such as quick fastening, locking, adjusting, changing and securing. All dimensions shown are imperial.

Tips

We can manufacture specials (both metric & imperial) to your drawing, and are certified to produce to NASM standards.

Wixroyd Aviation Pip-Pins can be produced within the following dimensions:

+ diameter: from 3/16" to 1"

+ grip length: from 0.3" to 9.9"

Quick production time on small batches.

Order No.	Dia. Ø nom.	Grip l	b	c	Ø d max.	Ø e max.	Weight g
33600.A005	3/16	0.5	0.220	0.26	0.31	0.44	17
33600.A006	3/16	0.6	0.220	0.26	0.31	0.44	17
33600.A007	3/16	0.7	0.220	0.26	0.31	0.44	17
33600.A008	3/16	0.8	0.220	0.26	0.31	0.44	18
33600.A010	3/16	1.0	0.220	0.26	0.31	0.44	18
33600.A011	3/16	1.1	0.220	0.26	0.31	0.44	19
33600.A013	3/16	1.3	0.220	0.26	0.31	0.44	19
33600.A015	3/16	1.5	0.220	0.26	0.31	0.44	20
33600.A018	3/16	1.8	0.220	0.26	0.31	0.44	21
33600.A020	3/16	2.0	0.220	0.26	0.31	0.44	22
33600.B007	1/4	0.7	0.289	0.29	0.31	0.44	20
33600.B008	1/4	0.8	0.289	0.29	0.31	0.44	20
33600.B010	1/4	1.0	0.289	0.29	0.31	0.44	22
33600.B011	1/4	1.1	0.289	0.29	0.31	0.44	22
33600.B012	1/4	1.2	0.289	0.29	0.31	0.44	24
33600.B014	1/4	1.4	0.289	0.29	0.31	0.44	24
33600.B018	1/4	1.8	0.289	0.29	0.31	0.44	26
33600.B019	1/4	1.9	0.289	0.29	0.31	0.44	27
33600.B020	1/4	2.0	0.289	0.29	0.31	0.44	27
33600.B023	1/4	2.3	0.289	0.29	0.31	0.44	29
33600.B025	1/4	2.5	0.289	0.29	0.31	0.44	32



BALL LOCK PINS & QUICK RELEASE PINS

Order No.	Dia. Ø nom.	Grip l	b	c	Ø d max.	Ø e max.	Weight g
33600.B028	1/4	2.8	0.289	0.29	0.31	0.44	32
33600.B029	1/4	2.9	0.289	0.29	0.31	0.44	33
33600.B064	1/4	6.4	0.289	0.29	0.31	0.44	59
33600.C008	5/16	0.8	0.375	0.33	0.31	0.49	25
33600.C010	5/16	1.0	0.375	0.33	0.31	0.49	28
33600.C012	5/16	1.2	0.375	0.33	0.31	0.49	29
33600.C014	5/16	1.4	0.375	0.33	0.31	0.49	31
33600.C016	5/16	1.6	0.375	0.33	0.31	0.49	33
33600.C017	5/16	1.7	0.375	0.33	0.31	0.49	34
33600.C019	5/16	1.9	0.375	0.33	0.31	0.49	33
33600.C020	5/16	2.0	0.375	0.33	0.31	0.49	36
33600.C022	5/16	2.2	0.375	0.33	0.31	0.49	38
33600.C023	5/16	2.3	0.375	0.33	0.31	0.49	39
33600.C025	5/16	2.5	0.375	0.33	0.31	0.49	43
33600.C029	5/16	2.9	0.375	0.33	0.31	0.49	46
33600.C030	5/16	3.0	0.375	0.33	0.31	0.49	47
33600.C036	5/16	3.6	0.375	0.33	0.31	0.49	53
33600.C049	5/16	4.9	0.375	0.33	0.31	0.49	65
33600.C062	5/16	6.2	0.375	0.33	0.31	0.49	73
33600.C067	5/16	6.7	0.375	0.33	0.31	0.49	85

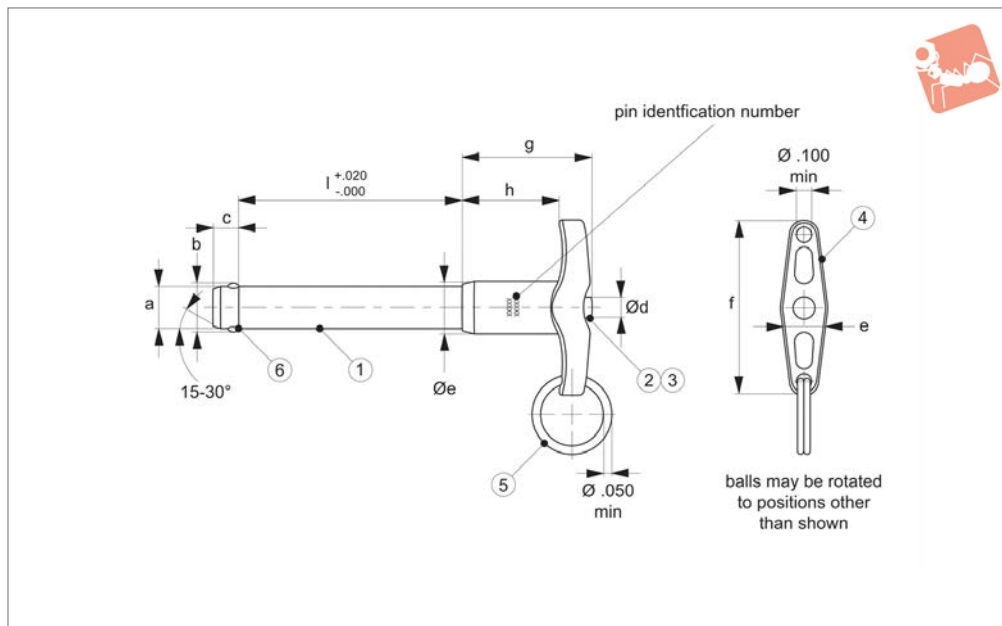
Order No.	Ø f max.	g max.	h min.	Shearing resistance, double lb min.	Location hole dia. max.	MS Part No.
33600.A005	0.800	0.83	0.48	5.150	0.1940	MS17984C305
33600.A006	0.800	0.83	0.48	5.150	0.1940	MS17984C306
33600.A007	0.800	0.83	0.48	5.150	0.1940	MS17984C307
33600.A008	0.800	0.83	0.48	5.150	0.1940	MS17984C308
33600.A010	0.800	0.83	0.48	5.150	0.1940	MS17984C310
33600.A011	0.800	0.83	0.48	5.150	0.1940	MS17984C311
33600.A013	0.800	0.83	0.48	5.150	0.1940	MS17984C313
33600.A015	0.800	0.83	0.48	5.150	0.1940	MS17984C315
33600.A018	0.800	0.83	0.48	5.150	0.1940	MS17984C318
33600.A020	0.800	0.83	0.48	5.150	0.1940	MS17984C320
33600.B007	0.800	0.89	0.48	9.200	0.2540	MS17984C407
33600.B008	0.800	0.89	0.48	9.200	0.2540	MS17984C408
33600.B010	0.800	0.89	0.48	9.200	0.2540	MS17984C410
33600.B011	0.800	0.89	0.48	9.200	0.2540	MS17984C411
33600.B012	0.800	0.89	0.48	9.200	0.2540	MS17984C412
33600.B014	0.800	0.89	0.48	9.200	0.2540	MS17984C414
33600.B018	0.800	0.89	0.48	9.200	0.2540	MS17984C418
33600.B019	0.800	0.89	0.48	9.200	0.2540	MS17984C419
33600.B020	0.800	0.89	0.48	9.200	0.2540	MS17984C410
33600.B023	0.800	0.89	0.48	9.200	0.2540	MS17984C423
33600.B025	0.800	0.89	0.48	9.200	0.2540	MS17984C425
33600.B028	0.800	0.89	0.48	9.200	0.2540	MS17984C428
33600.B029	0.800	0.89	0.48	9.200	0.2540	MS17984C429
33600.B064	0.800	0.89	0.48	9.200	0.2540	MS17984C464
33600.C008	1.135	0.93	0.48	14.400	0.3165	MS17984C508
33600.C010	1.135	0.93	0.48	14.400	0.3165	MS17984C510
33600.C012	1.135	0.93	0.48	14.400	0.3165	MS17984C512
33600.C014	1.135	0.93	0.48	14.400	0.3165	MS17984C514
33600.C016	1.135	0.93	0.48	14.400	0.3165	MS17984C516
33600.C017	1.135	0.93	0.48	14.400	0.3165	MS17984C517
33600.C019	1.135	0.93	0.48	14.400	0.3165	MS17984C519
33600.C020	1.135	0.93	0.48	14.400	0.3165	MS17984C520
33600.C022	1.135	0.93	0.48	14.400	0.3165	MS17984C522
33600.C023	1.135	0.93	0.48	14.400	0.3165	MS17984C523
33600.C025	1.135	0.93	0.48	14.400	0.3165	MS17984C525
33600.C029	1.135	0.93	0.48	14.400	0.3165	MS17984C529
33600.C030	1.135	0.93	0.48	14.400	0.3165	MS17984C530
33600.C036	1.135	0.93	0.48	14.400	0.3165	MS17984C536
33600.C049	1.135	0.93	0.48	14.400	0.3165	MS17984C549
33600.C062	1.135	0.93	0.48	14.400	0.3165	MS17984C562
33600.C067	1.135	0.93	0.48	14.400	0.3165	MS17984C567



Aviation Pip-Pin - Standard T-Handle

single acting - quick release pins - according to

Ball Lock Pins & Quick Release



33610

BALL LOCK PINS & QUICK RELEASE PINS

Material

Shank (part 1) & spindle (part 2):

CRES 17-4PH (AMS 5643), heat treated per MIL-H-6875, condition H900, min. 40 HRC, passivated per AMS2700.

Spring (part 3, not shown):

CRES 302 (ASTM-A-313), heat treated per MIL-H-6875, passivated per AMS2700.

Handle (part 4):

A380 (QQ-A-591), anodized (black) per MIL-A-8625.

Attaching ring (part 5):

CRES 302 (ASTM-A-313), passivated per AMS2700.

Ball (locking element, part 6):

CRES CL440C (AMS5630), heat treated per MIL-H-6875, passivated per AMS2700.

Technical Notes

Wixroyd Aviation Pip-pins manufactured to Aviation Norm NASM 17985 (former norm: MS 17985) and tested to NAS 1332.

Manufacture certified & assessed to EN9100D by EASE (European Aerospace Supplier Evaluation).

Temp. range -22°F to 302°F

Pressing = unlocking.

Releasing = locking.

Pip-pins are used for frequently repeated operations such as quick fastening, locking, adjusting, changing and securing. All dimensions shown are imperial.

Tips

We can manufacture specials (both metric & imperial) to your drawing, and are certified to produce to NASM standards.

Wixroyd Aviation Pip-Pins can be produced within the following dimensions:

+ diameter: from 3/16" to 1"

+ grip length: from 0.3" to 9.9"

Quick production time on small batches.

Order No.	Dia. \varnothing inch nom.	Grip l inch	b_1	c_1	$\varnothing d$ max.	$\varnothing e$ max.	Weight g
33610.A003	3/16	0.3	,220	,260	,310	0.500	24
33610.A005	3/16	0.5	,220	,260	,310	0.500	24
33610.A008	3/16	0.8	,220	,260	,310	0.500	25
33610.A012	3/16	1.2	,220	,260	,310	0.500	26
33610.A013	3/16	1.3	,220	,260	,310	0.500	27
33610.A014	3/16	1.4	,220	,260	,310	0.500	27
33610.A026	3/16	2.6	,220	,260	,310	0.500	33
33610.B005	1/4	0.5	,289	,290	,310	0.500	26
33610.B009	1/4	0.9	,289	,290	,310	0.500	27
33610.B011	1/4	1.1	,289	,290	,310	0.500	28
33610.B012	1/4	1.2	,289	,290	,310	0.500	30
33610.B013	1/4	1.3	,289	,290	,310	0.500	30
33610.B015	1/4	1.5	,289	,290	,310	0.500	32
33610.B016	1/4	1.6	,289	,290	,310	0.500	33
33610.B021	1/4	2.1	,289	,290	,310	0.500	36
33610.B026	1/4	2.6	,289	,290	,310	0.500	40
33610.B028	1/4	2.8	,289	,290	,310	0.500	41
33610.B040	1/4	4.0	,289	,290	,310	0.500	49
33610.C003	5/16	0.3	,375	,330	,310	0.500	27
33610.C006	5/16	0.6	,375	,330	,310	0.500	30



BALL LOCK PINS & QUICK RELEASE PINS

Order No.	Dia. Ø inch nom.	Grip l inch	b ₁	c ₁	Ø d max.	Ø e max.	Weight g
33610.C010	5/16	1.0	,375	,330	,310	0.500	34
33610.C013	5/16	1.3	,375	,330	,310	0.500	36
33610.C015	5/16	1.5	,375	,330	,310	0.500	39
33610.C016	5/16	1.6	,375	,330	,310	0.500	39
33610.C018	5/16	1.8	,375	,330	,310	0.500	41
33610.C020	5/16	2.0	,375	,330	,310	0.500	43
33610.C023	5/16	2.3	,375	,330	,310	0.500	45
33610.C029	5/16	2.9	,375	,330	,310	0.500	52
33610.C030	5/16	3.0	,375	,330	,310	0.500	53
33610.C033	5/16	3.3	,375	,330	,310	0.500	56
33610.C040	5/16	4.0	,375	,330	,310	0.500	62
33610.C050	5/16	5.0	,375	,330	,310	0.500	75
33610.C064	5/16	6.4	,375	,330	,310	0.500	89
33610.C070	5/16	7.0	,375	,330	,310	0.500	93
33610.D005	3/8	0.5	,440	,365	,390	0.625	43
33610.D010	3/8	1.0	,440	,365	,390	0.625	48
33610.D012	3/8	1.2	,440	,365	,390	0.625	55
33610.D015	3/8	1.5	,440	,365	,390	0.625	57
33610.D016	3/8	1.6	,440	,365	,390	0.625	58
33610.D020	3/8	2.0	,440	,365	,390	0.625	60
33610.D024	3/8	2.4	,440	,365	,390	0.625	69
33610.D025	3/8	2.5	,440	,365	,390	0.625	72
33610.D026	3/8	2.6	,440	,365	,390	0.625	72
33610.D028	3/8	2.8	,440	,365	,390	0.625	72
33610.D031	3/8	3.1	,440	,365	,390	0.625	80
33610.D032	3/8	3.2	,440	,365	,390	0.625	80
33610.D035	3/8	3.5	,440	,365	,390	0.625	85
33610.D040	3/8	4.0	,440	,365	,390	0.625	91
33610.D045	3/8	4.5	,440	,365	,390	0.625	100
33610.E012	7/16	1.2	,509	,380	,390	0.625	60
33610.E018	7/16	1.8	,509	,380	,390	0.625	69
33610.E023	7/16	2.3	,509	,380	,390	0.625	82
33610.E024	7/16	2.4	,509	,380	,390	0.625	80
33610.E026	7/16	2.6	,509	,380	,390	0.625	90
33610.E029	7/16	2.9	,509	,380	,390	0.625	93
33610.E040	7/16	4.0	,509	,380	,390	0.625	113
33610.E042	7/16	4.2	,509	,380	,390	0.625	117
33610.E055	7/16	5.5	,509	,380	,390	0.625	145
33610.E072	1/2	7.2	,594	,460	,390	0.625	176
33610.F010	1/2	1.0	,594	,460	,565	0.800	82
33610.F012	1/2	1.2	,594	,460	,565	0.800	87
33610.F014	1/2	1.4	,594	,460	,565	0.800	94
33610.F015	1/2	1.5	,594	,460	,565	0.800	94
33610.F019	1/2	1.9	,594	,460	,565	0.800	106
33610.F020	1/2	2.0	,594	,460	,565	0.800	108
33610.F024	1/2	2.4	,594	,460	,565	0.800	117
33610.F029	1/2	2.9	,594	,460	,565	0.800	130
33610.F031	1/2	3.1	,594	,460	,565	0.800	135
33610.F036	1/2	3.6	,594	,460	,565	0.800	147
33610.F037	1/2	3.7	,594	,460	,565	0.800	146
33610.F040	1/2	4.0	,594	,460	,565	0.800	156
33610.F047	1/2	4.7	,594	,460	,565	0.800	177
33610.F048	1/2	4.8	,594	,460	,565	0.800	179
33610.F064	1/2	6.4	,594	,460	,565	0.800	218
33610.G017	9/16	1.7	,666	,510	,565	0.800	120
33610.G032	9/16	3.2	,666	,510	,565	0.800	160
33610.G036	9/16	3.6	,666	,510	,565	0.800	176
33610.G040	9/16	4.0	,666	,510	,565	0.800	190
33610.G061	9/16	6.1	,666	,510	,565	0.800	252

Order No.	Ø f max.	g ₁	h ₁	Shearing resistance, double lb min.	Location hole dia. max.	MS Part No.
33610.A003	1.815	1.27	0.800	5.150	0.1940	MS17985C303
33610.A005	1.815	1.27	0.800	5.150	0.1940	MS17985C305
33610.A008	1.815	1.27	0.800	5.150	0.1940	MS17985C308
33610.A012	1.815	1.27	0.800	5.150	0.1940	MS17985C312



Aviation Pip-Pin - Standard T-Handle

single acting - quick release pins - according to

Ball Lock Pins & Quick Release



Order No.	Ø f max.	g ₁	h ₁	Shearing resistance, double lb min.	Location hole dia. max.	MS Part No.
33610.A013	1.815	1.27	0.800	5.150	0.1940	MS17985C313
33610.A014	1.815	1.27	0.800	5.150	0.1940	MS17985C314
33610.A026	1.815	1.27	0.800	5.150	0.1940	MS17985C326
33610.B005	1.815	1.27	0.800	9.200	0.2540	MS17985C405
33610.B009	1.815	1.27	0.800	9.200	0.2540	MS17985C409
33610.B011	1.815	1.27	0.800	9.200	0.2540	MS17985C411
33610.B012	1.815	1.27	0.800	9.200	0.2540	MS17985C412
33610.B013	1.815	1.27	0.800	9.200	0.2540	MS17985C413
33610.B015	1.815	1.27	0.800	9.200	0.2540	MS17985C415
33610.B016	1.815	1.27	0.800	9.200	0.2540	MS17985C416
33610.B021	1.815	1.27	0.800	9.200	0.2540	MS17985C421
33610.B026	1.815	1.27	0.800	9.200	0.2540	MS17985C426
33610.B028	1.815	1.27	0.800	9.200	0.2540	MS17985C428
33610.B040	1.815	1.27	0.800	9.200	0.2540	MS17985C440
33610.C003	1.815	1.27	0.800	14.400	0.3165	MS17985C503
33610.C006	1.815	1.27	0.800	14.400	0.3165	MS17985C506
33610.C010	1.815	1.27	0.800	14.400	0.3165	MS17985C510
33610.C013	1.815	1.27	0.800	14.400	0.3165	MS17985C513
33610.C015	1.815	1.27	0.800	14.400	0.3165	MS17985C515
33610.C016	1.815	1.27	0.800	14.400	0.3165	MS17985C516
33610.C018	1.815	1.27	0.800	14.400	0.3165	MS17985C518
33610.C020	1.815	1.27	0.800	14.400	0.3165	MS17985C520
33610.C023	1.815	1.27	0.800	14.400	0.3165	MS17985C523
33610.C029	1.815	1.27	0.800	14.400	0.3165	MS17985C529
33610.C030	1.815	1.27	0.800	14.400	0.3165	MS17985C530
33610.C033	1.815	1.27	0.800	14.400	0.3165	MS17985C533
33610.C040	1.815	1.27	0.800	14.400	0.3165	MS17985C540
33610.C050	1.815	1.27	0.800	14.400	0.3165	MS17985C550
33610.C064	1.815	1.27	0.800	14.400	0.3165	MS17985C564
33610.C070	1.815	1.27	0.800	14.400	0.3165	MS17985C570
33610.D005	2.065	1.45	0.850	20.700	0.3790	MS17985C605
33610.D010	2.065	1.45	0.850	20.700	0.3790	MS17985C610
33610.D012	2.065	1.45	0.850	20.700	0.3790	MS17985C612
33610.D015	2.065	1.45	0.850	20.700	0.3790	MS17985C615
33610.D016	2.065	1.45	0.850	20.700	0.3790	MS17985C616
33610.D020	2.065	1.45	0.850	20.700	0.3790	MS17985C620
33610.D024	2.065	1.45	0.850	20.700	0.3790	MS17985C624
33610.D025	2.065	1.45	0.850	20.700	0.3790	MS17985C625
33610.D026	2.065	1.45	0.850	20.700	0.3790	MS17985C626
33610.D028	2.065	1.45	0.850	20.700	0.3790	MS17985C628
33610.D031	2.065	1.45	0.850	20.700	0.3790	MS17985C631
33610.D032	2.065	1.45	0.850	20.700	0.3790	MS17985C632
33610.D035	2.065	1.45	0.850	20.700	0.3790	MS17985C635
33610.D040	2.065	1.45	0.850	20.700	0.3790	MS17985C640
33610.D045	2.065	1.45	0.850	20.700	0.3790	MS17985C645
33610.E012	2.065	1.47	0.850	28.500	0.4425	MS17985C712
33610.E018	2.065	1.47	0.850	28.500	0.4425	MS17985C718
33610.E023	2.065	1.47	0.850	28.500	0.4425	MS17985C723
33610.E024	2.065	1.47	0.850	28.500	0.4425	MS17985C724
33610.E026	2.065	1.47	0.850	28.500	0.4425	MS17985C726
33610.E029	2.065	1.47	0.850	28.500	0.4425	MS17985C729
33610.E040	2.065	1.47	0.850	28.500	0.4425	MS17985C740
33610.E042	2.065	1.47	0.850	28.500	0.4425	MS17985C742
33610.E055	2.065	1.47	0.850	28.500	0.4425	MS17985C755
33610.E072	2.345	1.60	0.850	36.900	0.5050	MS17985C772
33610.F010	2.345	1.60	0.885	36.900	0.5050	MS17985C810
33610.F012	2.345	1.60	0.885	36.900	0.5050	MS17985C812
33610.F014	2.345	1.60	0.885	36.900	0.5050	MS17985C814
33610.F015	2.345	1.60	0.885	36.900	0.5050	MS17985C815
33610.F019	2.345	1.60	0.885	36.900	0.5050	MS17985C819
33610.F020	2.345	1.60	0.885	36.900	0.5050	MS17985C820
33610.F024	2.345	1.60	0.885	36.900	0.5050	MS17985C824
33610.F029	2.345	1.60	0.885	36.900	0.5050	MS17985C829
33610.F031	2.345	1.60	0.885	36.900	0.5050	MS17985C831
33610.F036	2.345	1.60	0.885	36.900	0.5050	MS17985C836
33610.F037	2.345	1.60	0.885	36.900	0.5050	MS17985C837
33610.F040	2.345	1.60	0.885	36.900	0.5050	MS17985C840

BALL LOCK PINS & QUICK RELEASE PINS

Ball Lock Pins & Quick Release



Aviation Pip-Pin - Standard T-Handle single acting - quick release pins - according to



Order No.	Ø f max.	g ₁	h ₁	Shearing resistance, double lb min.	Location hole dia. max.	MS Part No.
33610.F047	2.345	1.60	0.885	36.900	0.5050	MS17985C847
33610.F048	2.345	1.60	0.885	36.900	0.5050	MS17985C848
33610.F064	2.345	1.60	0.885	36.900	0.5050	MS17985C864
33610.G017	2.345	1.60	0.885	46.700	0.5675	MS17985C917
33610.G032	2.345	1.60	0.885	46.700	0.5675	MS17985C932
33610.G036	2.345	1.60	0.885	46.700	0.5675	MS17985C936
33610.G040	2.345	1.60	0.885	46.700	0.5675	MS17985C940
33610.G061	2.345	1.60	0.885	46.700	0.5675	MS17985C961

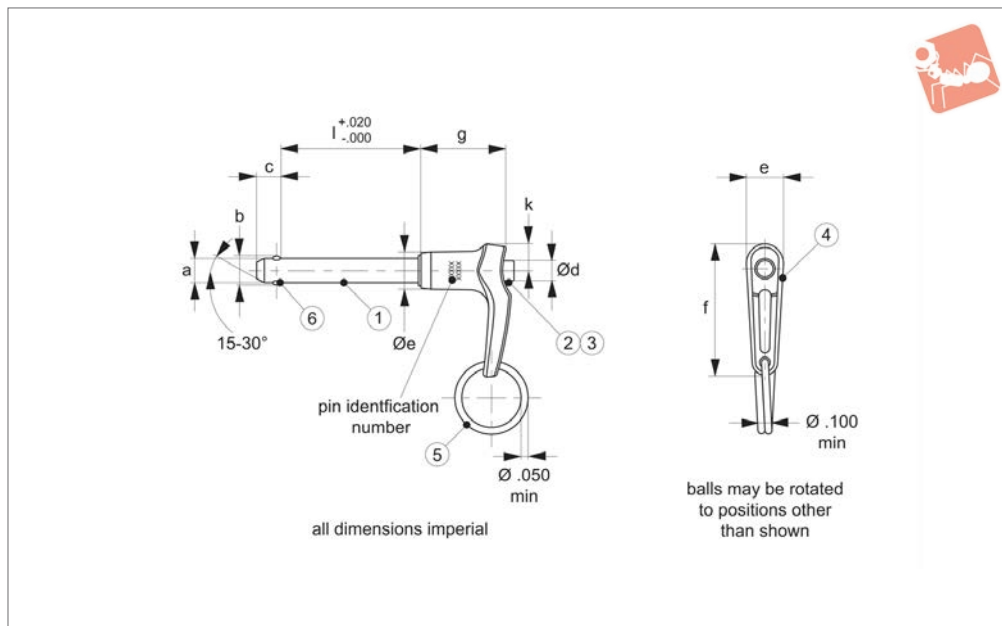
BALL LOCK PINS & QUICK RELEASE PINS



Aviation Pip-Pin, Standard LA Handle

single acting, quick release pins - according to

Ball Lock Pins & Quick Release



33620

BALL LOCK PINS & QUICK RELEASE PINS

Material

Shank (part 1) & spindle (part 2):

CRES 17-4PH (AMS 5643), heat treated per MIL-H-6875, condition H900, min. 40 HRC, passivated per AMS2700.

Spring (part 3, not shown):

CRES 302 (ASTM-A-313), heat treated per MIL-H-6875, passivated per AMS2700.

Handle (part 4):

A380 (QQ-A-591), anodized (black) per MIL-A-8625.

Attaching ring (part 5):

CRES 302 (ASTM-A-313), passivated per AMS2700.

Ball (locking element, part 6):

CRES CL440C (AMS5630), heat treated per MIL-H-6875, passivated per AMS2700.

Technical Notes

Wixroyd Aviation Pip-pins manufactured to Aviation Norm NASM 17986 (former norm: MS 17986) and tested to NAS 1332.

Manufacture certified & assessed to EN9100D by EASE (European Aerospace Supplier Evaluation).

Temp. range -22°F to 302°F

Pressing = unlocking.

Releasing = locking.

Pip-pins are used for frequently repeated operations such as quick fastening, locking, adjusting, changing and securing. All dimensions shown are imperial.

Tips

We can manufacture specials (both metric & imperial) to your drawing, and are certified to produce to NASM standards.

Wixroyd Aviation Pip-Pins can be produced within the following dimensions:

+ diameter: from 3/16" to 1"

+ grip length: from 0.3" to 9.9"

Quick production time on small batches.

Order No.	Dia. Ø nom.	Grip l	b	c	Ø d max.	Ø e max.	Weight g
33620.A005	3/16	0.5	,594	,460	,565	0.500	23
33620.A008	3/16	0.8	,594	,460	,565	0.500	26
33620.A010	3/16	1.0	,594	,460	,565	0.500	26
33620.A013	3/16	1.3	,594	,460	,565	0.500	28
33620.A014	3/16	1.4	,594	,460	,565	0.500	28
33620.A017	3/16	1.7	,594	,460	,565	0.500	27
33620.B012	1/4	1.2	,594	,460	,565	0.500	32
33620.B015	1/4	1.5	,594	,460	,565	0.500	33
33620.B017	1/4	1.7	,594	,460	,565	0.500	34
33620.B016	1/4	1.6	,594	,460	,565	0.500	33
33620.B021	1/4	2.1	,594	,460	,565	0.500	36
33620.C004	5/16	0.4	,594	,460	,565	0.500	29
33620.C006	5/16	0.6	,594	,460	,565	0.500	30
33620.C010	5/16	1.0	,594	,460	,565	0.500	34
33620.C013	5/16	1.3	,594	,460	,565	0.500	37
33620.C016	5/16	1.6	,594	,460	,565	0.500	40
33620.C018	5/16	1.8	,594	,460	,565	0.500	43
33620.C020	5/16	2.0	,594	,460	,565	0.500	41
33620.C023	5/16	2.3	,594	,460	,565	0.500	46
33620.C029	5/16	2.9	,594	,460	,565	0.500	54
33620.C030	5/16	3.0	,594	,460	,565	0.500	53

Ball Lock Pins & Quick Release

Aviation Pip-Pin, Standard LA Handle

single acting, quick release pins - according to



BALL LOCK PINS & QUICK RELEASE PINS

Order No.	Dia. Ø nom.	Grip l	b	c	Ø d max.	Ø e max.	Weight g
33620.C033	5/16	3.3	,594	,460	,565	0.500	57
33620.C036	5/16	3.6	,594	,460	,565	0.500	60
33620.C040	5/16	4.0	,594	,460	,565	0.500	64
33620.D010	3/8	1.0	,594	,460	,565	0.625	49
33620.D015	3/8	1.5	,594	,460	,565	0.625	59
33620.D020	3/8	2.0	,594	,460	,565	0.625	65
33620.D024	3/8	2.4	,594	,460	,565	0.625	71
33620.D026	3/8	2.6	,594	,460	,565	0.625	73
33620.D030	3/8	3.0	,594	,460	,565	0.625	72
33620.D060	3/8	6.0	,594	,460	,565	0.625	122
33620.E012	7/16	1.2	,594	,460	,565	0.625	61
33620.E035	7/16	3.5	,594	,460	,565	0.625	-
33620.E040	7/16	4.0	,594	,460	,565	0.625	115
33620.E055	7/16	5.5	,594	,460	,565	0.625	146
33620.F010	1/2	1.0	,594	,460	,565	0.800	83
33620.F015	1/2	1.5	,594	,460	,565	0.800	95
33620.F019	1/2	1.9	,594	,460	,565	0.800	103
33620.F034	1/2	3.4	,594	,460	,565	0.800	143
33620.F042	1/2	4.2	,594	,460	,565	0.800	160
33620.F045	1/2	4.5	,594	,460	,565	0.800	172
33620.G017	9/16	1.7	,594	,460	,565	0.800	116
33620.G025	9/16	2.5	,594	,460	,565	0.800	140
33620.G040	9/16	4.0	,594	,460	,565	0.800	189
33620.G050	9/16	5.0	,594	,460	,565	0.800	-
33620.G060	9/16	6.0	,594	,460	,565	0.800	249
33620.G075	9/16	7.5	,594	,460	,565	0.800	298

Order No.	Ø f max.	g max.	h min.	k max.	Shearing resistance, double	Location hole dia. max.	MS Part No.
					lb min.		
33620.A005	1.80	1.27	0.76	0.34	5.150	0.1940	MS17986C305
33620.A008	1.80	1.27	0.76	0.34	5.150	0.1940	MS17986C308
33620.A010	1.80	1.27	0.76	0.34	5.150	0.1940	MS17986C310
33620.A013	1.80	1.27	0.76	0.34	5.150	0.1940	MS17986C313
33620.A014	1.80	1.27	0.76	0.34	5.150	0.1940	MS17986C314
33620.A017	1.80	1.27	0.76	0.34	5.150	0.1940	MS17986C317
33620.B012	1.80	1.27	0.76	0.34	9.200	0.2540	MS17986C412
33620.B015	1.80	1.27	0.76	0.34	9.200	0.2540	MS17986C415
33620.B017	1.80	1.27	0.76	0.34	9.200	0.2540	MS17986C417
33620.B016	1.80	1.27	0.76	0.34	9.200	0.2540	MS17986C416
33620.B021	1.80	1.27	0.76	0.34	9.200	0.2540	MS17986C421
33620.C004	1.80	1.27	0.76	0.34	14400	0.3165	MS17986C504
33620.C006	1.80	1.27	0.76	0.34	14400	0.3165	MS17986C506
33620.C010	1.80	1.27	0.76	0.34	14400	0.3165	MS17986C510
33620.C013	1.80	1.27	0.76	0.34	14400	0.3165	MS17986C513
33620.C016	1.80	1.27	0.76	0.34	14400	0.3165	MS17986C516
33620.C018	1.80	1.27	0.76	0.34	14400	0.3165	MS17986C518
33620.C020	1.80	1.27	0.76	0.34	14400	0.3165	MS17986C520
33620.C023	1.80	1.27	0.76	0.34	14400	0.3165	MS17986C523
33620.C029	1.80	1.27	0.76	0.34	14400	0.3165	MS17986C529
33620.C030	1.80	1.27	0.76	0.34	14400	0.3165	MS17986C530
33620.C033	1.80	1.27	0.76	0.34	14400	0.3165	MS17986C533
33620.C036	1.80	1.27	0.76	0.34	14400	0.3165	MS17986C536
33620.C040	1.80	1.27	0.76	0.34	14400	0.3165	MS17986C540
33620.D010	2.03	1.45	0.85	0.39	20700	0.3790	MS17986C610
33620.D015	2.03	1.45	0.85	0.39	20700	0.3790	MS17986C615
33620.D020	2.03	1.45	0.85	0.39	20700	0.3790	MS17986C620
33620.D024	2.03	1.45	0.85	0.39	20700	0.3790	MS17986C624
33620.D026	2.03	1.45	0.85	0.39	20700	0.3790	MS17986C626
33620.D030	2.03	1.45	0.85	0.39	20700	0.3790	MS17986C630
33620.D060	2.03	1.45	0.85	0.39	20700	0.3790	MS17986C660
33620.E012	2.03	1.47	0.85	0.39	28500	0.4425	MS17986C712
33620.E035	2.03	1.47	0.85	0.39	28500	0.4425	MS17986C735
33620.E040	2.03	1.47	0.85	0.39	28500	0.4425	MS17986C740
33620.E055	2.03	1.47	0.85	0.39	28500	0.4425	MS17986C755
33620.F010	2.36	1.60	0.85	0.50	36900	0.5050	MS17986C810
33620.F015	2.36	1.60	0.85	0.50	36900	0.5050	MS17986C815
33620.F019	2.36	1.60	0.85	0.50	36900	0.5050	MS17986C819



Aviation Pip-Pin, Standard LA Handle

single acting, quick release pins - according to

Ball Lock Pins & Quick Release



Order No.	Ø f max.	g max.	h min.	k max.	Shearing resistance, double lb min.	Location hole dia. max.	MS Part No.
33620.F034	2.36	1.60	0.85	0.50	36900	0.5050	MS17986C834
33620.F042	2.36	1.60	0.85	0.50	36900	0.5050	MS17986C842
33620.F045	2.36	1.60	0.85	0.50	36900	0.5050	MS17986C845
33620.G017	2.36	1.60	0.85	0.50	46700	0.5675	MS17986C917
33620.G025	2.36	1.60	0.85	0.50	46700	0.5675	MS17986C925
33620.G040	2.36	1.60	0.85	0.50	46700	0.5675	MS17986C940
33620.G050	2.36	1.60	0.85	0.50	46700	0.5675	MS17986C950
33620.G060	2.36	1.60	0.85	0.50	46700	0.5675	MS17986C960
33620.G075	2.36	1.60	0.85	0.50	46700	0.5675	MS17986C975

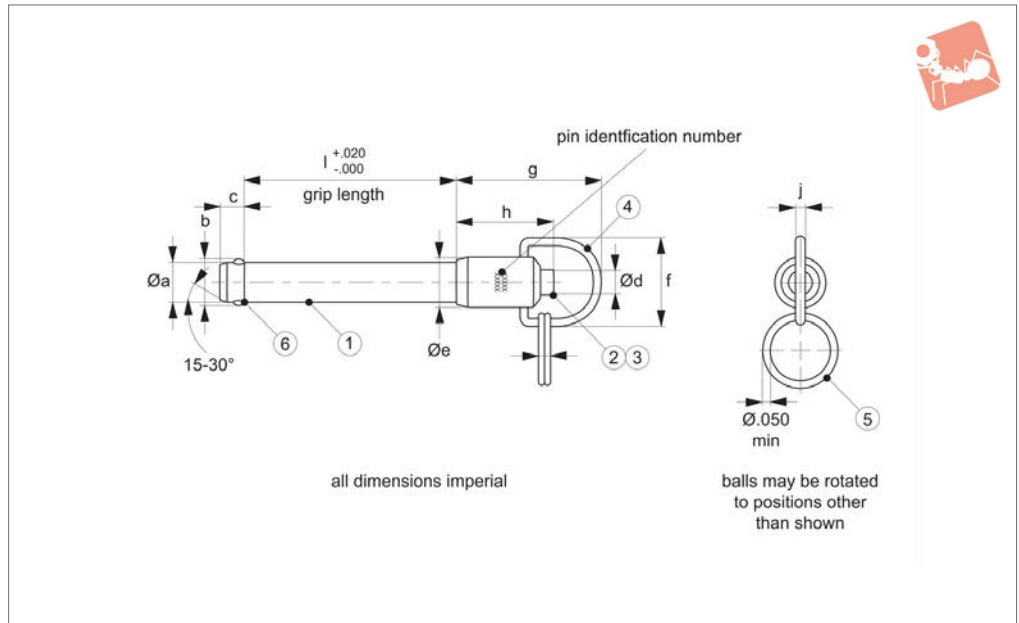
BALL LOCK PINS & QUICK RELEASE PINS



BALL LOCK PINS & QUICK RELEASE PINS



33630



Material

Shank (part 1) & spindle (part 2):

CRES 17-4PH (AMS 5643), heat treated per MIL-H-6875, condition H900, min. 40 HRC, passivated per AMS2700.

Spring (part 3, not shown):

CRES 302 (ASTM-A-313), heat treated per MIL-H-6875, passivated per AMS2700.

Handle (part 4):

CRES 302 (ASTM-A-313), passivated per AMS2700.

Attaching ring (part 5):

CRES 302 (ASTM-A-313), passivated per AMS2700.

Ball (locking element, part 6):

CRES CL440C (AMS5630), heat treated per MIL-H-6875, passivated per AMS2700.

Technical Notes

Wixroyd Aviation Pip-pins manufactured to Aviation Norm NASM 17987 (former norm: MS 17987) and tested to NAS 1332.

Manufacture certified & assessed to EN9100D by EASE (European Aerospace Supplier Evaluation).

Temp. range -22°F to 302°F

Pressing = unlocking.

Releasing = locking.

Pip-pins are used for frequently repeated operations such as quick fastening, locking, adjusting, changing and securing. All dimensions shown are imperial.

Tips

We can manufacture specials (both metric & imperial) to your drawing, and are certified to produce to NASM standards.

Wixroyd Aviation Pip-Pins can be produced within the following dimensions:

+ diameter: from 3/16" to 1"

+ grip length: from 0.3" to 9.9"

Quick production time on small batches.

Order No.	Dia. Ø nom.	Grip l	b	c	Ø d max.	Ø e max.	Weight g
33630.A008	3/16	0.8	,594	,460	,565	0.53	24
33630.A009	3/16	0.9	,594	,460	,565	0.53	24
33630.A010	3/16	1.0	,594	,460	,565	0.53	24
33630.A011	3/16	1.1	,594	,460	,565	0.53	25
33630.A012	3/16	1.2	,594	,460	,565	0.53	25
33630.A015	3/16	1.5	,594	,460	,565	0.53	26
33630.A016	3/16	1.6	,594	,460	,565	0.53	26
33630.A017	3/16	1.7	,594	,460	,565	0.53	27
33630.A025	3/16	2.5	,594	,460	,565	0.53	30
33630.A031	3/16	3.1	,594	,460	,565	0.53	33
33630.A043	5/16	4.3	,594	,460	,565	0.53	-
33630.B004	1/4	0.4	,594	,460	,565	0.53	24
33630.B005	1/4	0.5	,594	,460	,565	0.53	24
33630.B006	1/4	0.6	,594	,460	,565	0.53	25
33630.B007	1/4	0.7	,594	,460	,565	0.53	26
33630.B008	1/4	0.8	,594	,460	,565	0.53	27
33630.B009	1/4	0.9	,594	,460	,565	0.53	27
33630.B010	1/4	1.0	,594	,460	,565	0.53	27
33630.B011	1/4	1.1	,594	,460	,565	0.53	28
33630.B012	1/4	1.2	,594	,460	,565	0.53	29
33630.B014	1/4	1.4	,594	,460	,565	0.53	30



Aviation Pip-Pin, Standard R Handle

single acting, quick release pins - according to

Ball Lock Pins & Quick Release



Order No.	Dia. Ø nom.	Grip l	b	c	Ø d max.	Ø e max.	Weight g
33630.B015	1/4	1.5	,594	,460	,565	0.53	31
33630.B017	1/4	1.7	,594	,460	,565	0.53	32
33630.B018	1/4	1.8	,594	,460	,565	0.53	32
33630.B019	1/4	1.9	,594	,460	,565	0.53	33
33630.B020	1/4	2.0	,594	,460	,565	0.53	34
33630.B021	1/4	2.1	,594	,460	,565	0.53	34
33630.B022	1/4	2.2	,594	,460	,565	0.53	36
33630.B025	1/4	2.5	,594	,460	,565	0.53	37
33630.B029	1/4	2.9	,594	,460	,565	0.53	40
33630.B030	1/4	3.0	,594	,460	,565	0.53	39
33630.B040	1/4	4.0	,594	,460	,565	0.53	47
33630.B047	1/4	4.7	,594	,460	,565	0.53	50
33630.C006	5/16	0.6	,594	,460	,565	0.59	30
33630.C007	5/16	0.7	,594	,460	,565	0.59	31
33630.C008	5/16	0.8	,594	,460	,565	0.59	33
33630.C009	5/16	0.9	,594	,460	,565	0.59	34
33630.C011	5/16	1.1	,594	,460	,565	0.59	35
33630.C012	5/16	1.2	,594	,460	,565	0.59	36
33630.C013	5/16	1.3	,594	,460	,565	0.59	38
33630.C015	5/16	1.5	,594	,460	,565	0.59	39
33630.C016	5/16	1.6	,594	,460	,565	0.59	39
33630.C018	5/16	1.8	,594	,460	,565	0.59	42
33630.C019	5/16	1.9	,594	,460	,565	0.59	43
33630.C020	5/16	2.0	,594	,460	,565	0.59	43
33630.C023	5/16	2.3	,594	,460	,565	0.59	46
33630.C026	5/16	2.6	,594	,460	,565	0.59	48
33630.C033	5/16	3.3	,594	,460	,565	0.59	56
33630.C035	5/16	3.5	,594	,460	,565	0.59	59
33630.C060	5/16	6.0	,594	,460	,565	0.59	85
33630.C067	5/16	6.7	,594	,460	,565	0.59	92
33630.D008	3/8	0.8	,594	,460	,565	0.65	49
33630.D009	3/8	0.9	,594	,460	,565	0.65	50
33630.D010	3/8	1.0	,594	,460	,565	0.65	52
33630.D011	3/8	1.1	,594	,460	,565	0.65	53
33630.D012	3/8	1.2	,594	,460	,565	0.65	54
33630.D013	3/8	1.3	,594	,460	,565	0.65	55
33630.D014	3/8	1.4	,594	,460	,565	0.65	55
33630.D015	3/8	1.5	,594	,460	,565	0.65	58
33630.D016	3/8	1.6	,594	,460	,565	0.65	61
33630.D018	3/8	1.8	,594	,460	,565	0.65	62
33630.D026	3/8	2.6	,594	,460	,565	0.65	73
33630.D030	3/8	3.0	,594	,460	,565	0.65	80
33630.D031	3/8	3.1	,594	,460	,565	0.65	82
33630.D043	3/8	4.3	,594	,460	,565	0.65	97
33630.E008	7/16	0.8	,594	,460	,565	0.71	56
33630.E012	7/16	1.2	,594	,460	,565	0.71	65
33630.E014	7/16	1.4	,594	,460	,565	0.71	68
33630.E015	7/16	1.5	,594	,460	,565	0.71	-
33630.E019	7/16	1.9	,594	,460	,565	0.71	77
33630.E020	7/16	2.0	,594	,460	,565	0.71	81
33630.E022	7/16	2.2	,594	,460	,565	0.71	81
33630.E024	7/16	2.4	,594	,460	,565	0.71	88
33630.E026	7/16	2.6	,594	,460	,565	0.71	88
33630.F011	1/2	1.1	,594	,460	,565	0.80	88
33630.F012	1/2	1.2	,594	,460	,565	0.80	91
33630.F013	1/2	1.3	,594	,460	,565	0.80	93
33630.F014	1/2	1.4	,594	,460	,565	0.80	96
33630.F015	1/2	1.5	,594	,460	,565	0.80	98
33630.F020	1/2	2.0	,594	,460	,565	0.80	109
33630.F023	1/2	2.3	,594	,460	,565	0.80	117
33630.F033	1/2	3.3	,594	,460	,565	0.80	141
33630.F039	1/2	3.9	,594	,460	,565	0.80	160
33630.F045	1/2	4.5	,594	,460	,565	0.80	160
33630.F050	1/2	5.0	,594	,460	,565	0.80	187
33630.F053	1/2	5.3	,594	,460	,565	0.80	186
33630.F065	1/2	6.5	,594	,460	,565	0.80	215
33630.F080	1/2	8.0	,594	,460	,565	0.80	260
33630.G013	9/16	1.3	,594	,460	,565	0.84	120

BALL LOCK PINS & QUICK RELEASE PINS



Order No.	Dia. Ø nom.	Grip l	b	c	Ø d max.	Ø e max.	Weight g
33630.G025	9/16	2.5	,594	,460	,565	0.84	150
33630.G030	9/16	3.0	,594	,460	,565	0.84	166
33630.G037	9/16	3.7	,594	,460	,565	0.84	183
33630.G055	9/16	5.5	,594	,460	,565	0.84	245

Order No.	Ø f max.	g max.	h min.	Shearing resistance, double lb min.	Location hole dia. max.	MS Part No.
33630.A008	1.45	0.73	0.08	5.150	0.1940	MS17987C308
33630.A009	1.45	0.73	0.08	5.150	0.1940	MS17987C309
33630.A010	1.45	0.73	0.08	5.150	0.1940	MS17987C310
33630.A011	1.45	0.73	0.08	5.150	0.1940	MS17987C311
33630.A012	1.45	0.73	0.08	5.150	0.1940	MS17987C312
33630.A015	1.45	0.73	0.08	5.150	0.1940	MS17987C315
33630.A016	1.45	0.73	0.08	5.150	0.1940	MS17987C316
33630.A017	1.45	0.73	0.08	5.150	0.1940	MS17987C317
33630.A025	1.45	0.73	0.08	5.150	0.1940	MS17987C325
33630.A031	1.45	0.73	0.08	5.150	0.1940	MS17987C331
33630.A043	1.45	0.73	0.08	5.150	0.1940	MS17987C343
33630.B004	1.50	0.78	0.08	9.200	0.2540	MS17987C404
33630.B005	1.50	0.78	0.08	9.200	0.2540	MS17987C405
33630.B006	1.50	0.78	0.08	9.200	0.2540	MS17987C406
33630.B007	1.50	0.78	0.08	9.200	0.2540	MS17987C407
33630.B008	1.50	0.78	0.08	9.200	0.2540	MS17987C408
33630.B009	1.50	0.78	0.08	9.200	0.2540	MS17987C409
33630.B010	1.50	0.78	0.08	9.200	0.2540	MS17987C410
33630.B011	1.50	0.78	0.08	9.200	0.2540	MS17987C411
33630.B012	1.50	0.78	0.08	9.200	0.2540	MS17987C412
33630.B014	1.50	0.78	0.08	9.200	0.2540	MS17987C414
33630.B015	1.50	0.78	0.08	9.200	0.2540	MS17987C415
33630.B017	1.50	0.78	0.08	9.200	0.2540	MS17987C417
33630.B018	1.50	0.78	0.08	9.200	0.2540	MS17987C418
33630.B019	1.50	0.78	0.08	9.200	0.2540	MS17987C419
33630.B020	1.50	0.78	0.08	9.200	0.2540	MS17987C420
33630.B021	1.50	0.78	0.08	9.200	0.2540	MS17987C421
33630.B022	1.50	0.78	0.08	9.200	0.2540	MS17987C422
33630.B025	1.50	0.78	0.08	9.200	0.2540	MS17987C425
33630.B029	1.50	0.78	0.08	9.200	0.2540	MS17987C429
33630.B030	1.50	0.78	0.08	9.200	0.2540	MS17987C430
33630.B040	1.50	0.78	0.08	9.200	0.2540	MS17987C440
33630.B047	1.50	0.78	0.08	9.200	0.2540	MS17987C447
33630.C006	1.65	0.83	0.08	14400	0.3165	MS17987C506
33630.C007	1.65	0.83	0.08	14400	0.3165	MS17987C507
33630.C008	1.65	0.83	0.08	14400	0.3165	MS17987C508
33630.C009	1.65	0.83	0.08	14400	0.3165	MS17987C509
33630.C011	1.65	0.83	0.08	14400	0.3165	MS17987C511
33630.C012	1.65	0.83	0.08	14400	0.3165	MS17987C512
33630.C013	1.65	0.83	0.08	14400	0.3165	MS17987C513
33630.C015	1.65	0.83	0.08	14400	0.3165	MS17987C515
33630.C016	1.65	0.83	0.08	14400	0.3165	MS17987C516
33630.C018	1.65	0.83	0.08	14400	0.3165	MS17987C518
33630.C019	1.65	0.83	0.08	14400	0.3165	MS17987C519
33630.C020	1.65	0.83	0.08	14400	0.3165	MS17987C520
33630.C023	1.65	0.83	0.08	14400	0.3165	MS17987C523
33630.C026	1.65	0.83	0.08	14400	0.3165	MS17987C526
33630.C033	1.65	0.83	0.08	14400	0.3165	MS17987C533
33630.C035	1.65	0.83	0.08	14400	0.3165	MS17987C535
33630.C060	1.65	0.83	0.08	14400	0.3165	MS17987C560
33630.C067	1.65	0.83	0.08	14400	0.3165	MS17987C567
33630.D008	1.65	0.94	0.08	20700	0.3790	MS17987C608
33630.D009	1.65	0.94	0.08	20700	0.3790	MS17987C609
33630.D010	1.65	0.94	0.08	20700	0.3790	MS17987C610
33630.D011	1.65	0.94	0.08	20700	0.3790	MS17987C611
33630.D012	1.65	0.94	0.08	20700	0.3790	MS17987C612
33630.D013	1.65	0.94	0.08	20700	0.3790	MS17987C613
33630.D014	1.65	0.94	0.08	20700	0.3790	MS17987C614
33630.D015	1.65	0.94	0.08	20700	0.3790	MS17987C615
33630.D016	1.65	0.94	0.08	20700	0.3790	MS17987C616



Aviation Pip-Pin, Standard R Handle

single acting, quick release pins - according to

Ball Lock Pins & Quick Release



Order No.	Ø f max.	g max.	h min.	Shearing resistance, double lb min.	Location hole dia. max.	MS Part No.
33630.D018	1.65	0.94	0.08	20700	0.3790	MS17987C618
33630.D026	1.65	0.94	0.08	20700	0.3790	MS17987C626
33630.D030	1.65	0.94	0.08	20700	0.3790	MS17987C630
33630.D031	1.65	0.94	0.08	20700	0.3790	MS17987C631
33630.D043	1.65	0.94	0.08	20700	0.3790	MS17987C643
33630.E008	1.85	0.98	0.08	28500	0.4425	MS17987C708
33630.E012	1.85	0.98	0.08	28500	0.4425	MS17987C712
33630.E014	1.85	0.98	0.08	28500	0.4425	MS17987C714
33630.E015	1.85	0.98	0.08	28500	0.4425	MS17987C715
33630.E019	1.85	0.98	0.08	28500	0.4425	MS17987C719
33630.E020	1.85	0.98	0.08	28500	0.4425	MS17987C720
33630.E022	1.85	0.98	0.08	28500	0.4425	MS17987C722
33630.E024	1.85	0.98	0.08	28500	0.4425	MS17987C724
33630.E026	1.85	0.98	0.08	28500	0.4425	MS17987C726
33630.F011	1.85	1.14	0.08	36900	0.5050	MS17987C811
33630.F012	1.85	1.14	0.08	36900	0.5050	MS17987C812
33630.F013	1.85	1.14	0.08	36900	0.5050	MS17987C813
33630.F014	1.85	1.14	0.08	36900	0.5050	MS17987C814
33630.F015	1.85	1.14	0.08	36900	0.5050	MS17987C815
33630.F020	1.85	1.14	0.08	36900	0.5050	MS17987C820
33630.F023	1.85	1.14	0.08	36900	0.5050	MS17987C823
33630.F033	1.85	1.14	0.08	36900	0.5050	MS17987C833
33630.F039	1.85	1.14	0.08	33900	0.5050	MS17987C839
33630.F045	1.85	1.14	0.08	36900	0.5050	MS17987C845
33630.F050	1.85	1.14	0.08	36900	0.5050	MS17987C850
33630.F053	1.85	1.14	0.08	36900	0.5050	MS17987C853
33630.F065	1.85	1.14	0.08	36900	0.5050	MS17987C865
33630.F080	1.85	1.14	0.08	36900	0.5050	MS17987C880
33630.G013	2.03	1.14	0.08	46700	0.5675	MS17987C913
33630.G025	2.03	1.14	0.08	46700	0.5675	MS17987C925
33630.G030	2.03	1.14	0.08	46700	0.5675	MS17987C930
33630.G037	2.03	1.14	0.08	46700	0.5675	MS17987C937
33630.G055	2.03	1.14	0.08	46700	0.5675	MS17987C955

BALL LOCK PINS & QUICK RELEASE PINS



Wixroyd Flight Pin Range - Certified to Aviation Standards

With many years experience producing an extensive range of standard Pip-pins (also know as quick release pins or ball lock pins) we are now able to offer of Aviation Standard approved Pip-pins, manufactured according to NASM norms (formerly MS norms) and tested to NAS 1332 standards.

Expanding Range



33600 - Single acting Pip-pin, standard B handle

33610 - Single acting Pip-pin, standard TA handle

33620 - Single acting Pip-pin, standard LA handle

33630 - Single acting Pip-pin, standard R handle

Wide Range of Aviation Applications

- Interior panel attachment
- Baby bassinet pin
- Curtain track attachment
- Curtain track support pins
- TV monitor attachment
- Folding table assembly (e.g. First Class Cabins)

Aviation Approved

The Wixroyd Aviation Pip-pin range is produced according to NASM norms, and tested to NAS standards. Our manufacturing processes have been assessed and certified by EASE (European Aerospace Supplier Evaluation) to EN9100D.

All our Aviation Pip-pins are individually marked to enable identification of their production lot number.

In-Stock and Available?

Yes! The product sizes shown on the following pages, with a cross reference to the NASM part code for ease of identification, are all available from stock for delivery within 5 days.

Special Designs

We have extensive knowledge and experience in designing, producing and assembling bespoke design pip-pins and ball lock pins in both imperial and metric sizes. We produce under a fully certified manufacturing process, both to our own high standard or to meet Aviation standards.

Please contact our technical team to discuss your requirements (tel. 0845 26 66 577) or email a drawing to info@wixroyd.com

For our full range visit:
wixroyd.com



Wixroyd Flight Pin Range - Certified to Aviation Standards

Your normal experience may be that imperial Aviation Standard Pip-pins are hard to obtain; price prohibitive, and delivery times far too long. The range of Wixroyd Aviation Pip-pins, in a variety of imperial dimensions, has been designed to solve these problems - we hold a wide, and ever increasing range of sizes ex-stock for immediate delivery - no more 6-8 week lead time!

With many years experience producing an extensive range of standard Pip-pins (also know as quick release pins or ball lock pins) we are now able to offer of Aviation Standard approved Pip-pins, manufactured according to NASM norms (formerly MS norms) and tested to NAS 1332 standards.

- Interior panel attachment
- Baby bassinet pin
- Curtain track attachment
- Curtain track support pins
- TV monitor attachment
- Folding table assembly (e.g. First Class Cabins)

Wide Range of Aviation Applications

Yes! The product sizes shown on the following pages, with a cross reference to the NASM part code for ease of identification, are all available from stock for delivery within 5 days.

In-stock and Available?

Our Aviation Pip-pins are manufactured to NASM norms, and we follow the material specification of these norms, which means you can feel safe in purchasing a part which is to specification - both in materials and strength.

Materials



The new Wixroyd Aviation Pip-pin range is produced according to NASM norms, and tested to NAS standards. Our manufacturing processes have been assessed and certified by EASE (European Aerospace Supplier Evaluation) to EN9100D.

Aviation Approved

All our Aviation Pip-pins are individually marked to enable identification of their production lot number. Marking allows identification of:

Identifying Production Batches

- NASM Standard Number
- Material Grade
- Pin/shank diameter
- Grip length
- Company identification
- Production lot number.

We have extensive knowledge and experience in designing, producing and assembling bespoke design pip-pins and ball lock pins in both imperial and metric sizes. We produce under a fully certified manufacturing process, both to our own high standard or to meet Aviation standards.

Special Designs

We can customise to meet your needs:

- Changes in grip/handle type
- Material variations
- Changes of functional dimensions; pin diameter, pin grip length

Please contact our technical team to discuss your requirements (tel. 0845 26 66 577) or email a drawing to info@wixroyd.com

Expanding Range



Single acting Pip-pin, standard B handle

Single acting Pip-pin, standard TA handle

Single acting Pip-pin, standard LA handle

Single acting Pip-pin, standard R handle