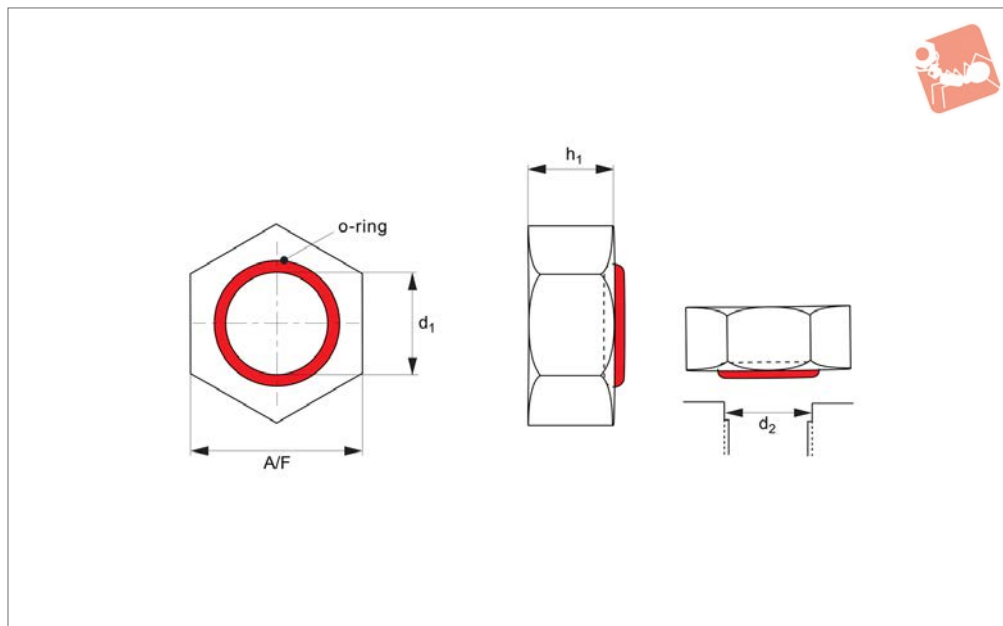




Integral Seal Hex. Nuts Stainless



Sealing Screws



36636

SEALING SCREWS

Material

Stainless steel (AISI 303 1.4305 tensile strength 550 N/mm² or AISI 316 1.440 tensile strength 480 N/mm²), with silicone „O“ ring as standard.
For other „O“ ring materials see technical data pages,
(-FS = fluorosilicone, -EP = EPDM, -VI =

viton, -NI = nitrile, -BN = Buna etc.).

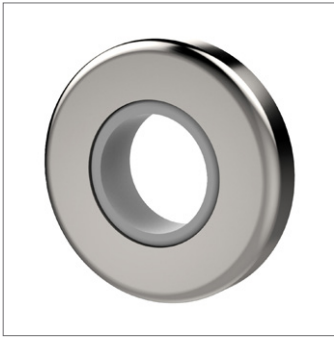
Technical Notes

Seals substances in and contaminants out, re-useable.
Max temperature range: -100°C to +260°C, pressure range - up to 410 bar (6000 psi).

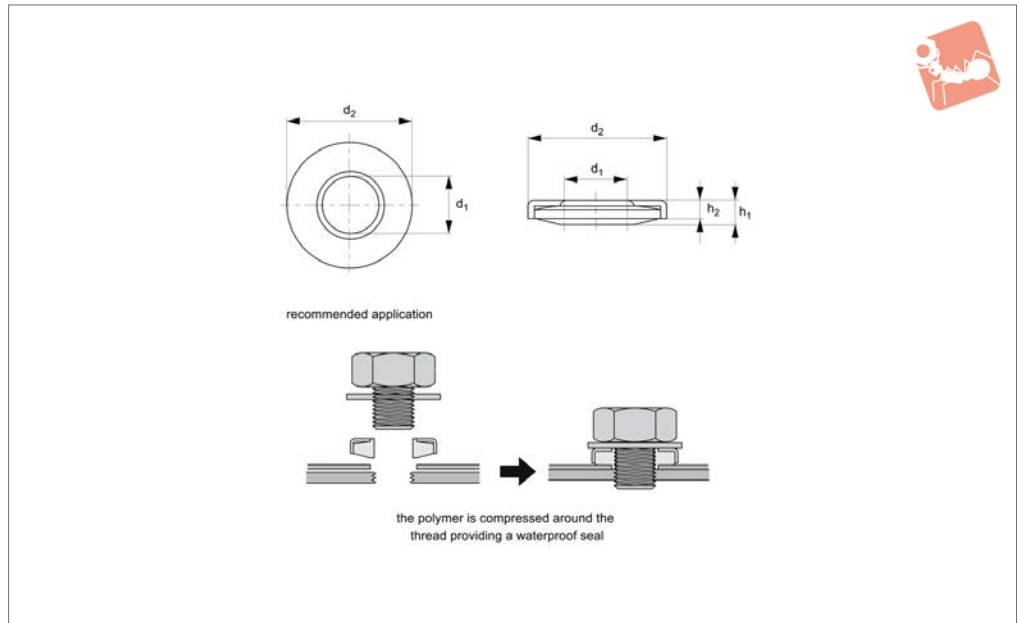
Tips

Clearance holes recommended for maximum sealing performance (see dimensions below).
Clearance hole depth 2-3 x thread pitch, threads are metric coarse pitch.

Order No.	d ₁	A/F	d ₂ ±0.05	h ₁ max.	Material
36636.W0020	M 2	4	2.35	1.6	A2 s/s
36636.W0025	M2,5	5	2.75	2.0	A2 s/s
36636.W0030	M 3	5.5	3.6	2.4	A2 s/s
36636.W0040	M 4	7	4.5	3.2	A2 s/s
36636.W0050	M 5	8	5.6	4.7	A2 s/s
36636.W0060	M 6	10	6.8	5.2	A2 s/s
36636.W0080	M 8	13	8.5	6.8	A2 s/s
36636.W0100	M10	16	10.6	8.4	A2 s/s
36636.W0120	M12	18	12.85	10.8	A2 s/s
36636.W0140	M14	21	15.1	12.8	A2 s/s
36636.W0160	M16	24	17.5	14.8	A2 s/s



36637



Material

Stainless steel (AISI 304, 1.4301), with thermoplastic elastomer (TPE) insert.

Technical Notes

Seals substances in and contaminants out. For watertight applications, the seal is best

placed against a smooth material, ensuring a tight seal is created.

Tips

We recommend installing a flat washer above the sealing washer to ensure that uniform pressure is applied to the elas-

tomer inside the washer. We recommend that you test the sealing washer in your application to determine the optimum tightening torque. For use at -30 °C to 90 °C.

Order No.	For thread	d ₁	d ₂	h ₁	h ₂	Recommended tightening torque Nm	Rated pressure (liquids) Bar max.	Rated pressure (gases) Bar max.	Weight g
36637.W0030	M 3	3.0	8	3.1	2.5	0,3-0,6	7	7	0.4
36637.W0040	M 4	4.1	10	3.5	3.0	0,8-1,5	7	7	0.6
36636.SP005	M 5	5.1	12	3.5	3.0	1,5-3,0	7	7	1.0
36637.W0060	M 6	6.1	14	3.5	3.0	2,5-5,0	7	7	1.0
36636.SP006	M 8	8.1	18	4.0	3.0	6,2-12	7	7	2.0
36637.W0100	M10	10.1	23	4.0	3.0	24-12	7	7	3.0
36637.W0120	M12	12.1	25	4.0	3.0	21-42	7	7	4.0
36637.W0160	M16	16.1	30	4.5	3.0	53-106	7	7	6.0
36637.W0200	M20	20.1	37	4.5	3.0	103 min.	7	7	9.0

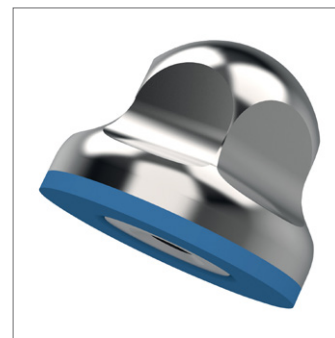
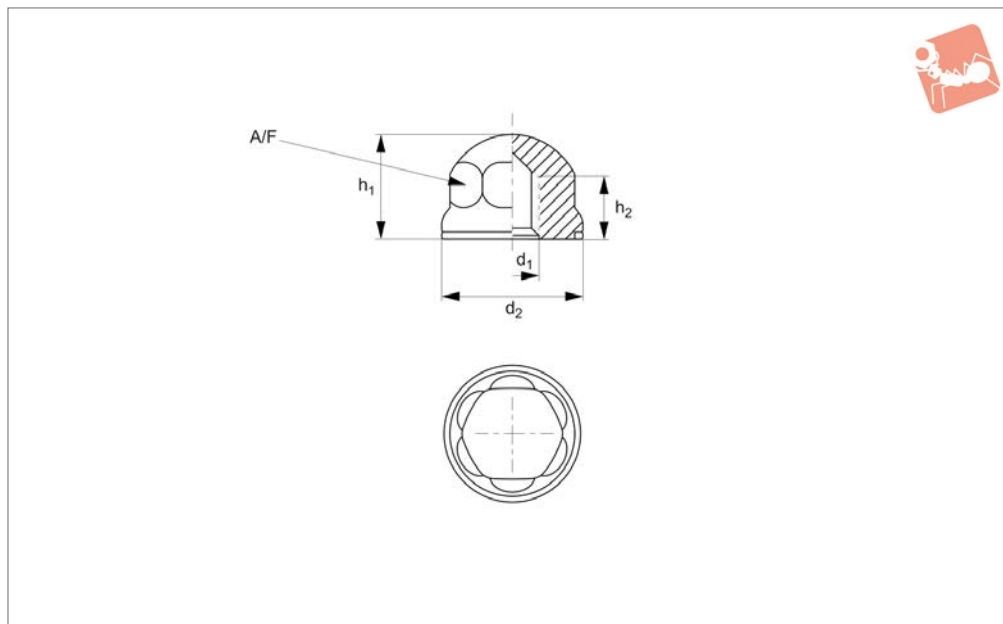


Hygienic Nuts - Female

304 stainless steel



Sealing Screws



36638

SEALING SCREWS

Material

AISI 304 stainless steel high-gloss polished dome-nut, FDA blue silicone gasket, 3-A accepted. Available on request in AISI 316.

Technical Notes

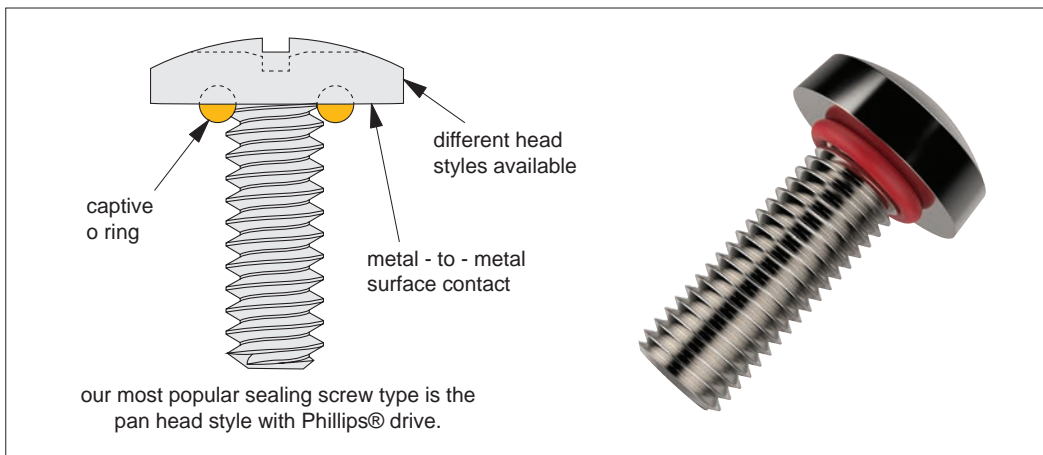
For use in hygienic areas, components can be mounted without dead spaces.

Sealing ring is hydrogenated acrylonitrile butadiene rubber (H-NBR), hardness 85±5

shore A, temp range -25°C to +150°C, blue.

Polished finish Ra < 0,8µ

Order No.	d ₁	d ₂	h ₁	h ₂	A/F
36638.W0003	M 3x0,5	15	12	8	HEX 10
36638.W0004	M 4x0,7	15	12	8	HEX 10
36638.W0005	M 5x0,8	19	17	12	HEX 14
36638.W0006	M 6x1	19	17	12	HEX 14
36638.W0008	M 8x1,25	24	23	15	HEX 17
36638.W0010	M10x1,5	24	23	15	HEX 17
36638.W0012	M12x1,75	24	23	15	HEX 17
36638.W0014	M14x2	30	28	20	HEX 22
36638.W0016	M16x2	30	28	20	HEX 22
36638.W0020	M20x2,5	35	34	25	HEX 27
36638.W0024	M24x3	42	40	30	HEX 32



Why use Sealing Screws?

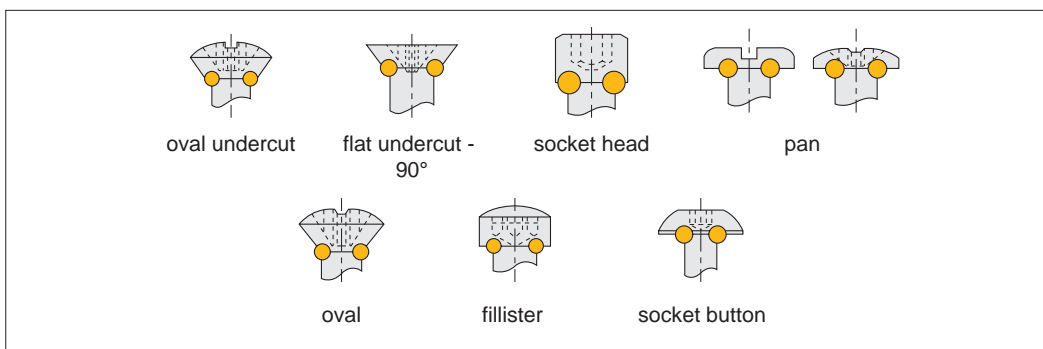
An ordinary screw lacks seal protection, allowing dirt, fluids, gases etc to infiltrate and damage sensitive devices. Sealing screws provide bi-directional sealing protection to systems where screws are used, to protect them against dirt, chemicals, water or other contaminants, which (without the screw seal), may penetrate and cause damage, or alternatively where gases and liquids may leak out.

Sealing screws are designed and manufactured with a precision engineered groove beneath the head of the fastener to accommodate the integral O-ring. As the fastener is tightened, the O-ring is compressed, squeezing it between the groove and mating surface to complete the seal. The design of the groove controls the amount of compression of the O-ring, and because O-rings retain their elastic memory, the screws are reusable time after time.

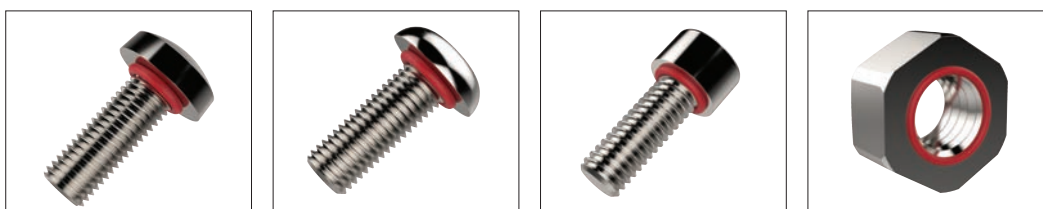
The seal provides bi-directional sealing which provides a total barrier seal against internal or external conditions (water, fluids, chemicals, dirt, air, contaminants etc) which could otherwise penetrate and damage systems. The screws are very easy to use and do not need any special preparation or re-tightening.

There are a range of O-ring materials that can resist virtually all chemical and environmental conditions. We can also provide sealing screws (on request) to military specifications (MILSPEC).

Sealing Screw Heads



Ordering Options

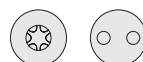


36630 - Pan head - Phillips® Security and Torx® options

36631 - Button Hex-head Security and Torx® options

36633 - Socket Head Security and Torx® options

36636 - Hexagon Nut

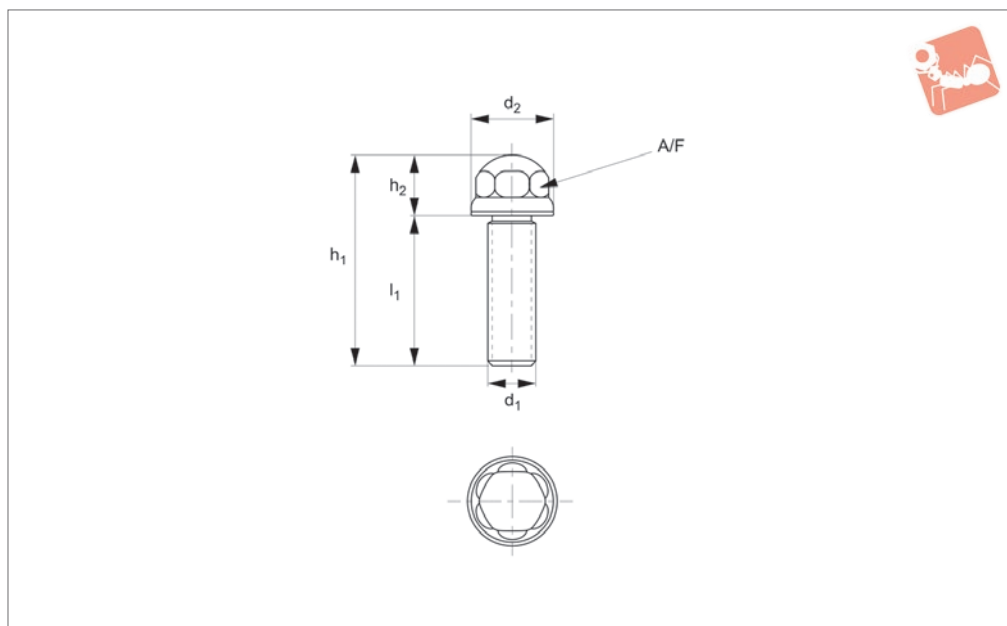




Hygienic Screws - Male

304 stainless steel

Sealing Screws



37370

SEALING SCREWS

Material

Stainless steel (AISI 304) high-gloss polished dome-nut, FDA blue silicone gasket, 3-A accepted.

be mounted without dead spaces.

Sealing ring is hydrogenated acrylonitrile butadiene rubber (H-NBR), hardness 85±5 shore A, temp range -25°C to +150°C, blue.

Polished finish Ra < 0,8µ.

Technical Notes

For use in hygienic areas, components can

Order No.	d ₁	d ₂	h ₁	l ₁	h ₂	A/F
37370.W0510	M5x0,8	19	24	10	14	HEX 14
37370.W0516	M5x0,8	19	26	16	10	HEX 14
37370.W0520	M5x0,8	19	34	20	14	HEX 14
37370.W0612	M6x1	19	26	12	14	HEX 14
37370.W0616	M6x1	19	30	16	14	HEX 14
37370.W0620	M6x1	19	34	20	14	HEX 14
37370.W0625	M6x1	19	39	25	14	HEX 14
37370.W0630	M6x1	19	44	30	14	HEX 14
37370.W0816	M8x1,25	24	33	16	17	HEX 17
37370.W0820	M8x1,25	24	37	20	17	HEX 17
37370.W0825	M8x1,25	24	42	25	17	HEX 17
37370.W0830	M8x1,25	24	47	30	17	HEX 17
37370.W0840	M8x1,25	24	57	40	17	HEX 17
37370.W1020	M10x1,5	24	37	20	17	HEX 17
37370.W1025	M10x1,5	24	42	25	17	HEX 17
37370.W1030	M10x1,5	24	47	30	17	HEX 17
37370.W1040	M10x1,5	24	57	40	17	HEX 17
37370.W1050	M10x1,5	24	67	50	17	HEX 17
37370.W1220	M12x1,75	24	27	20	7	HEX 17
37370.W1225	M12x1,75	24	42	25	17	HEX 17
37370.W1230	M12x1,75	24	47	30	17	HEX 17
37370.W1240	M12x1,75	24	57	40	17	HEX 17
37370.W1250	M12x1,75	24	67	50	17	HEX 17
37370.W1630	M16x2	30	52	30	22	HEX 22
37370.W1640	M16x2	30	62	40	22	HEX 22
37370.W1650	M16x2	30	72	50	22	HEX 22
37370.W1660	M16x2	30	82	60	22	HEX 22
37370.W1670	M16x2	30	92	70	22	HEX 22
37370.W1680	M16x2	30	102	80	22	HEX 22
37370.W2030	M20x2,5	35	56	30	26	HEX 27
37370.W2040	M20x2,5	35	66	40	26	HEX 27
37370.W2050	M20x2,5	35	76	50	26	HEX 27



Order No.	d ₁	d ₂	h ₁	l ₁	h ₂	A/F
37370.W2060	M20x2,5	35	86	60	26	HEX 27
37370.W2070	M20x2,5	35	96	70	26	HEX 27
37370.W2080	M20x2,5	35	106	80	26	HEX 27