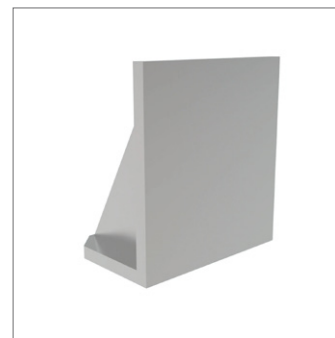
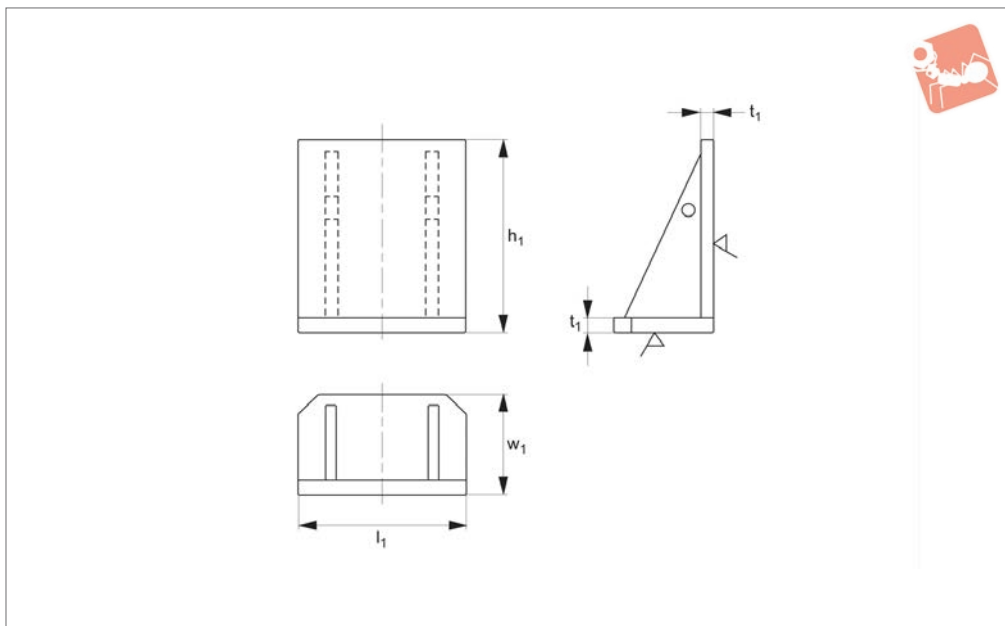




Welded Clamping Angle

semi-finished

Base Plates & Clamping



19540

BASE PLATES & CLAMPING ANGLES

Material

Steel, welded.

Order No.	l_1	w_1	h_1	t_1	Weight kg
19540.W0020	400	250	450	32	76
19540.W0040	500	330	550	32	125
19540.W0060	630	370	650	32	180