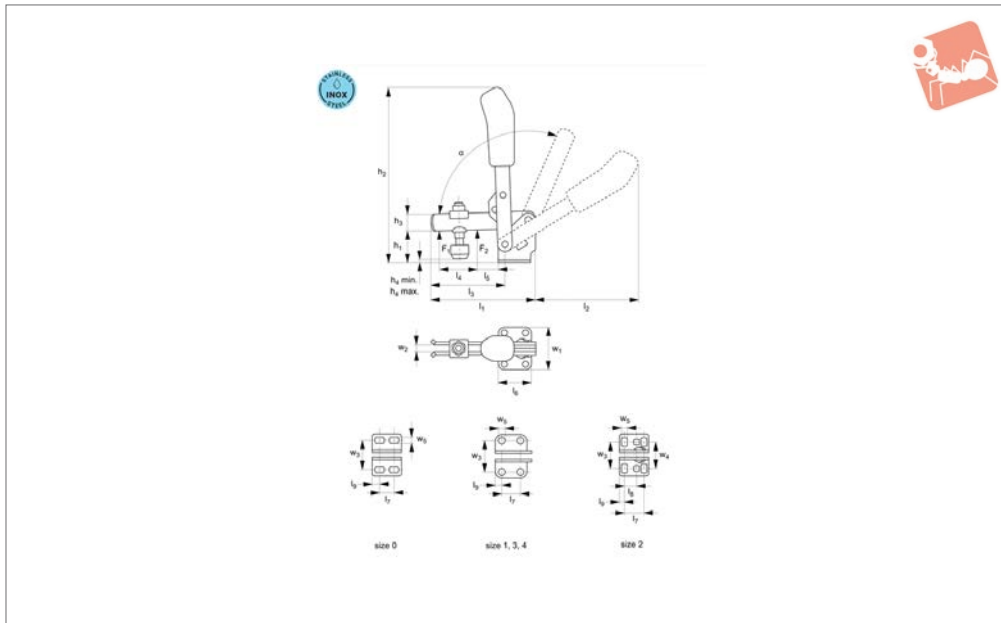




# Vertical Acting Toggle Clamps

stainless steel - open arm - horizontal base

# Stainless Steel Toggle Clamps



**40000.4**

STAINLESS STEEL TOGGLE CLAMPS

### Material

Body: stainless steel (AISI 304, 1.4301).  
Rivets: stainless steel running in hardened bushes (sizes 2-4). Pre-lubricated bearings.  
Ergonomic soft feel oil-resistant handle

with large grip area.  
Supplied complete with stainless clamping screw (with rubber pad).

### Technical Notes

Opening angle (symbol $\alpha$ /symbol $\alpha$ /symbol $\alpha$ /

symbol\*) can be changed by pressing in a stop pin on the clamp body.  
Temperature range -10°C to +80°C.

Order No.	Size	F <sub>1</sub> kN	F <sub>2</sub> kN	Clamping screw	h <sub>1</sub>	h <sub>2</sub>	h <sub>3</sub>	h <sub>4</sub> min.	h <sub>4</sub> max.	l <sub>1</sub>	l <sub>2</sub>	l <sub>3</sub>	Weight g
40000.W0300	0	0.5	0.7	M 4x25	18.0	81	8	-1.5	3.5	49	50	31	60
40000.W0301	1	0.6	1.1	M 5x30	19.0	98	10	-4.0	2.0	61	58	39	105
40000.W0302	2	0.8	1.2	M 6x35	23.0	129	12	-3.3	4.5	78	80	52	175
40000.W0303	3	1.2	2.5	M 8x45	33.0	186	18	3.0	10.5	112	112	79	410
40000.W0304	4	1.7	3.0	M 8x65	42.5	221	20	-6.0	19.5	141	130	101	630

Order No.	l <sub>4</sub>	l <sub>5</sub>	l <sub>6</sub>	l <sub>7</sub>	l <sub>8</sub>	l <sub>9</sub>	w <sub>1</sub>	w <sub>2</sub>	w <sub>3</sub>	w <sub>4</sub>	w <sub>5</sub>	$\alpha$	$\alpha^*$
40000.W0300	14	5.5	22	8,5-13,5	-	5.5	32	4	23	-	4.5	95°	-
40000.W0301	18	6.0	27	16.0	-	5.5	34	5	22-26	-	4.5	95°	-
40000.W0302	25	11.0	32	20.0	12.5	6.0	43	6	23-31	27	5.5	105°	60°
40000.W0303	37	19.0	35	20.0	-	7.5	46	8	32	-	7.5	105°	60°
40000.W0304	54	16.0	53	32.0	-	13.0	64	10	45	-	8.6	105°	60°

# Stainless Steel Toggle Clamps

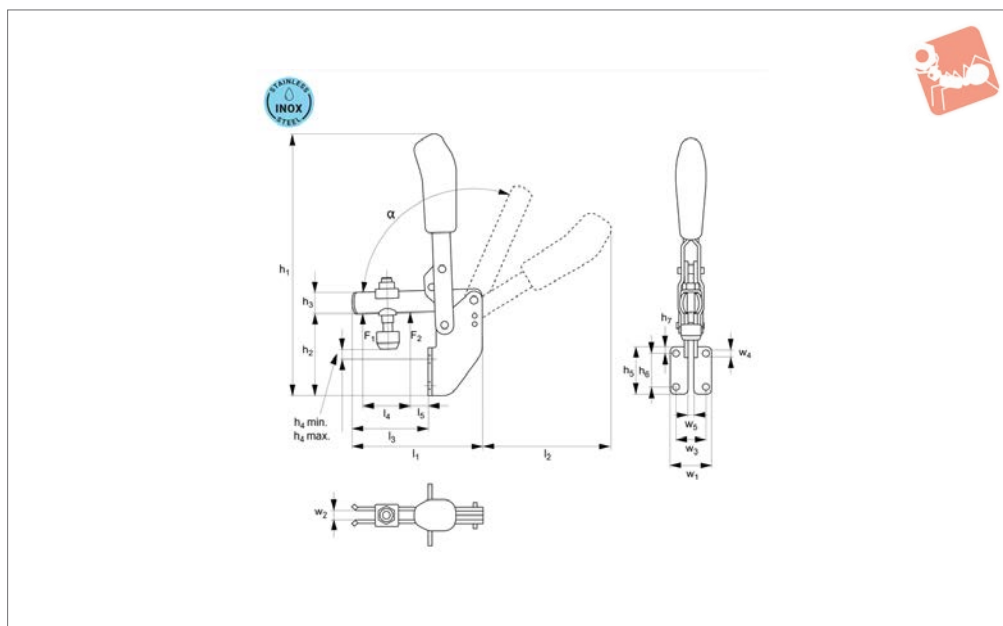
## Vertical Acting Toggle Clamps angle base - stainless steel



STAINLESS STEEL TOGGLE CLAMPS



### 40100.4



#### Material

Body: stainless steel (AISI 304, 1.4301).  
Rivets: stainless steel running in hardened bushes.  
Pre-lubricated bearings.  
Ergonomic soft feel oil-resistant handle

with large grip area.  
Supplied complete with stainless clamping screw (with rubber pad).

**Technical Notes**  
Suitable for use in the food industry.

Opening angle (symbol $\alpha$ /symbol $\alpha^*$ ) can be changed by pressing in a stop pin on the clamp body.  
Temperature range -10°C to +80°C.

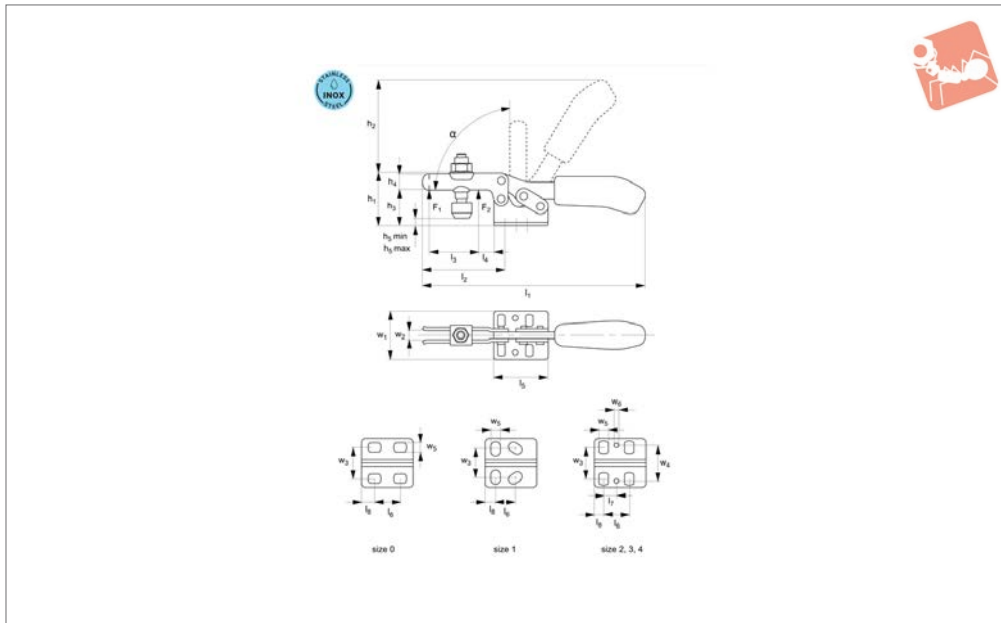
Order No.	Size	F <sub>1</sub> kN	F <sub>2</sub> kN	Clamping screw	h <sub>1</sub>	h <sub>2</sub>	h <sub>3</sub>	h <sub>4</sub> min.	h <sub>4</sub> max.	h <sub>5</sub>	h <sub>6</sub>	h <sub>7</sub>	Weight g
40100.W0302	2	0.8	1.2	M 6x35	167	60	12	8	15	32	20	6	220
Order No.	l <sub>1</sub>	l <sub>2</sub>	l <sub>3</sub>	l <sub>4</sub>	l <sub>5</sub>	w <sub>1</sub>	w <sub>2</sub>	w <sub>3</sub>	w <sub>4</sub>	w <sub>5</sub>	$\alpha$	$\alpha^*$	
40100.W0302	77	81	41	25	6	37	6	25.5	6.1	5	105°	60°	



# Horizontal Acting Toggle Clamps

stainless steel - open arm - horizontal base

# Stainless Steel Toggle Clamps



**41000.4**

STAINLESS STEEL TOGGLE CLAMPS

### Material

Body: stainless steel (AISI 304, 1.4301), polished.  
Rivets: stainless steel running in hardened bushes (sizes 2-5). Pre-lubricated

bearings.

Ergonomic soft feel oil-resistant handle with large grip area.  
Supplied complete with stainless clamping screw (with rubber pad).

### Technical Notes

Suitable for the food industry.  
Temperature range -10°C to +80°C.

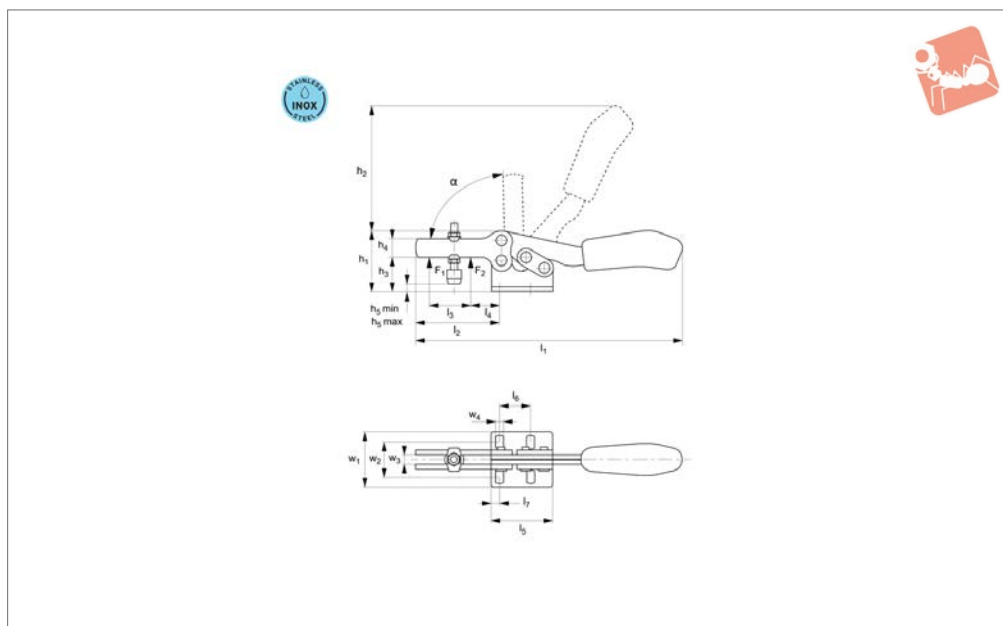
Order No.	Size	F <sub>1</sub> kN	F <sub>2</sub> kN	Clamping screw	h <sub>1</sub>	h <sub>2</sub>	h <sub>3</sub>	h <sub>4</sub>	h <sub>5</sub> min.	h <sub>5</sub> max.	l <sub>1</sub>	l <sub>2</sub>	Weight g
41000.W0300	0	0.3	0.4	M 4x25	23.0	34	14.5	7.5	-5.0	0.6	79	28	35
41000.W0301	1	0.8	1.1	M 5x30	30.0	49	19.0	10.0	-4.0	2.0	120	42	105
41000.W0302	2	1.0	1.2	M 6x35	45.0	68	24.0	13.0	-1.6	5.0	162	64	185
41000.W0303	3	1.8	2.5	M 8x45	48.5	86	32.0	15.0	-2.0	9.0	206	73	320
41000.W0304	4	2.0	3.0	M 8x65	75.0	126	45.0	20.0	-4.0	24.0	287	113	700

Order No.	l <sub>3</sub>	l <sub>4</sub>	l <sub>5</sub>	l <sub>6</sub>	l <sub>7</sub>	l <sub>8</sub>	w <sub>1</sub>	w <sub>2</sub>	w <sub>3</sub>	w <sub>4</sub>	w <sub>5</sub>	w <sub>6</sub>	α
41000.W0300	9.0	5	25.5	11,5-15,5	-	6.3	25.0	4	16.0	-	4.6	-	90°
41000.W0301	18.6	8	34.0	13,3-14,7	-	5.5	34.0	5	18,0-21,5	-	5.2	-	90°
41000.W0302	32.0	16	38.0	26.0	12.7	6.0	42.0	6	19,5-29,5	28.5	5.6	5.6	90°
41000.W0303	36.0	14	50.0	25.7	13.0	7.0	44.5	8	22,0-31,8	31.6	6.5	5.1	90°
41000.W0304	63.0	27	57.0	41.0	20.5	8.0	58.0	10	29,0-43,0	43.0	8.5	8.5	90°



## 41001.4



### Material

Body: stainless steel, polished.  
Rivets: stainless steel running in hardened bushes. Pre-lubricated bearings (grease suitable for food industry use).

Ergonomic soft feel oil-resistant handle with large grip area.  
Supplied complete with stainless clamping screw (with rubber pad).

### Technical Notes

Suitable for use in the food industry.  
Temperature range -10°C to +80°C.  
**With increased retaining forces.**

Order No.	Size	$F_1$ kN	$F_2$ kN	Clamping screw	$h_1$	$h_2$	$h_3$	$h_4$	$h_5$ min.	$h_5$ max.	$l_1$	Weight g
41001.W0301	1	1.1	1.7	M 5x35	37	52	19.6	12	1	10.2	125	150
41001.W0302	2	1.6	3.0	M 6x50	51	110	28.0	16	-1	12.0	224	450
41001.W0303	3	2.5	4.0	M 8x58	61	112	35.0	18	1	13.0	243	600
41001.W0304	4	3.5	8.0	M10x76	77	135	41.0	24	-2	17.5	329	1250

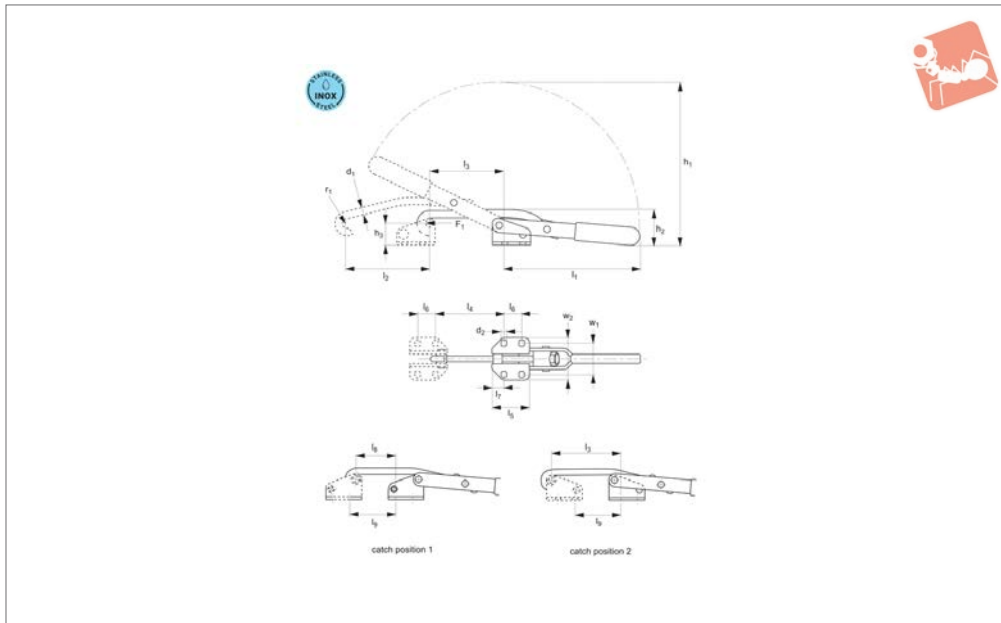
Order No.	$l_2$	$l_3$	$l_4$	$l_5$	$l_6$	$l_7$	$w_1$	$w_2$	$w_3$	$w_4$	$\alpha$
41001.W0301	44	20.5	15.0	40	13.5	6.0	27.2	14,7 - 19,5	5	4.3	80°
41001.W0302	71	39.0	14.0	52	26.0	7.0	46.0	23,5 - 34,0	8	6.5	90°
41001.W0303	74	41.5	20.6	56	26.2	6.5	49.2	27,5 - 38,0	8	6.5	90°
41001.W0304	120	69.0	23.0	76	41.5	10.5	60.0	34,5 - 45,0	10	8.6	90°



# Hook Type Toggle Clamps

stainless steel

# Stainless Steel Toggle Clamps



**41700.4**

STAINLESS STEEL TOGGLE CLAMPS

### Material

Body: stainless steel (AISI 304, 1.4301).  
 Rivets: stainless steel running in hardened bushes. Pre-lubricated bearings.  
 Handle: oil-resistant plastic with large grip

area.

### Technical Notes

For counter strike see part no. 41740.  
 W0011- .W0015.

**The length of the hook is adjustable by rotating the threaded hook to extend or contract its reach.**

Temperature range -10°C to +80°C.  
 Suitable for food industry.

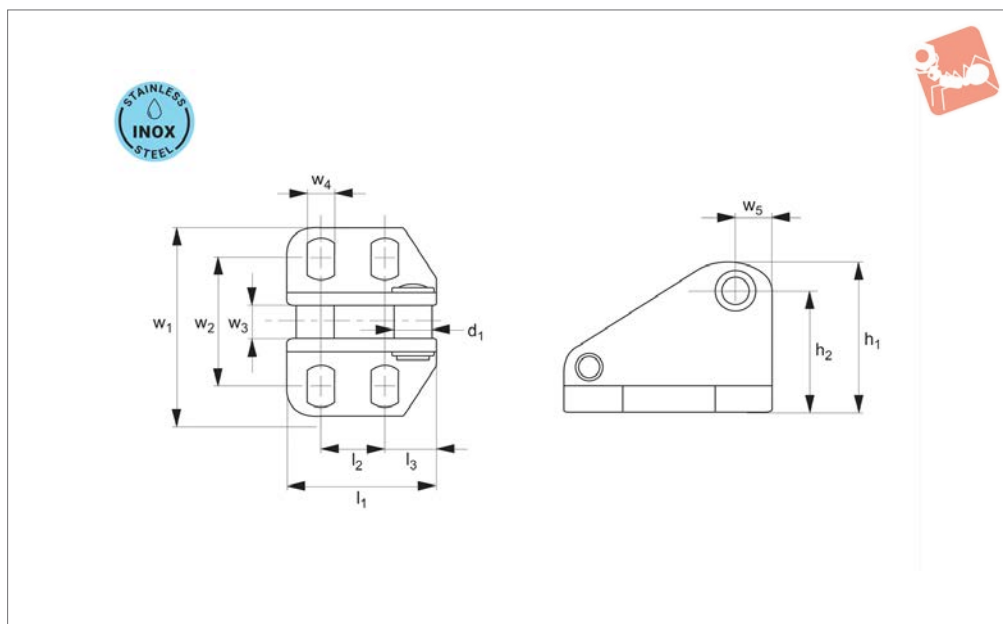
Order No.	Size	F <sub>1</sub> kN	h <sub>1</sub>	h <sub>2</sub>	h <sub>3</sub>	l <sub>1</sub>	l <sub>2</sub>	l <sub>3</sub>	l <sub>4</sub>	Weight g
41700.W0301	1	1.0	111	35.0	22.7	88	45	35,0-42,0	35,0-42,5	100
41700.W0303	3	1.5	179	36.5	22.7	148	97	65,5-77,0	72,5-84,0	270
41700.W0305	5	2.5	280	70.5	49.1	228	146	57,0-71,0	58,0-72,0	850

Order No.	l <sub>5</sub>	l <sub>6</sub>	l <sub>7</sub>	l <sub>8</sub>	l <sub>9</sub>	w <sub>1</sub>	w <sub>2</sub>	d <sub>1</sub>	d <sub>2</sub>	r <sub>1</sub>	Adj. distance
41700.W0301	31	19	6	16,5-23,5	16,0-23,0	40	25,5-30,5	6	4.5	4.5	8
41700.W0303	40	19	13	39,5-50,5	32,5-44,0	45	31,0-36,0	8	5.6	5.5	12
41700.W0305	55	29	13	27,5-42,0	26,5-40,0	85	56,0-63,5	12	11.2	8.0	14



### 41740.4



#### Material

Stainless steel (AISI 304, 1.4301), polished.

#### Tips

For zinc plated and passivated version see part no. 41740.W0011- .W0005.

#### Technical Notes

Catch for no. 41700.W0001- .W0005.

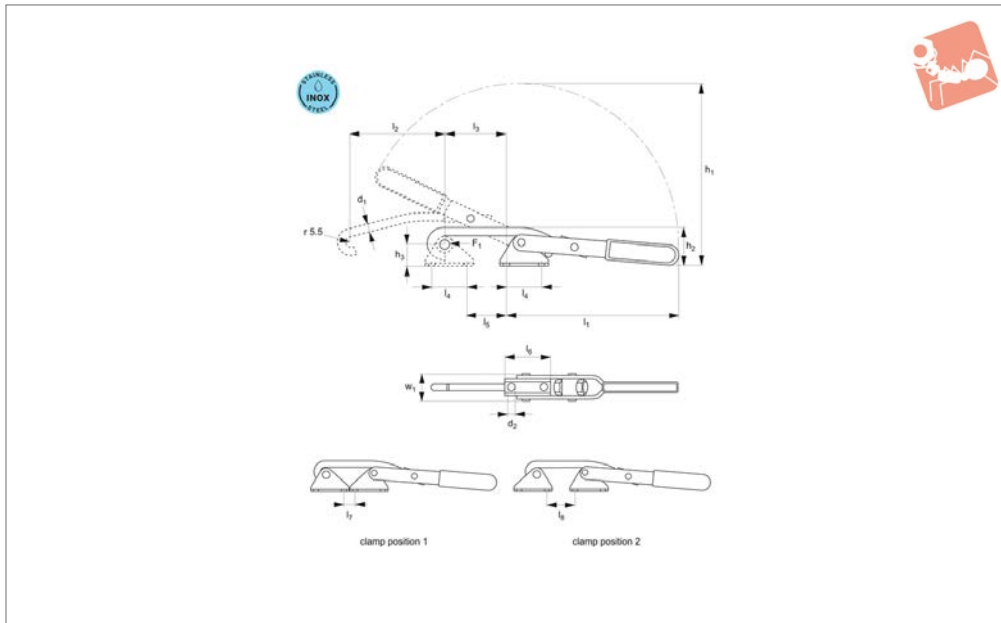
Order No.	Size	$h_1$	$h_2$	$l_1$	$l_2$	$l_3$	$w_1$	$w_2$	$w_3$	$w_4$	$w_5$	$d_1$	Weight g
41740.W0311	1	29	22.7	31	19	6	40	26,0-30,0	6.9	4.5	6	8	40
41740.W0313	3	29	22.7	40	19	13	45	31,3-35,8	10.9	5.6	6	10	70
41740.W0315	5	61	49.1	55	29	13	86	56,5-64,0	13.8	11.2	12	15	320



# Hook Type Toggle Clamp

stainless steel - narrow base

# Stainless Steel Toggle Clamps



## 41781.4

STAINLESS STEEL TOGGLE CLAMPS

### Material

Body: stainless steel (AISI 304, 1.4301).  
Rivets: stainless steel running in hardened bushes. Pre-lubricated bearings.  
Handle: oil-resistant plastic with large grip area.

### Technical Notes

Suitable for use as a toggle type fastener

for the lids or covers of fixed or rotating drums and containers. The length of the hook is adjustable.

Their narrow base makes them ideal for applications where space is limited but holding forces must not be compromised.

**The length of the hook is adjustable, up to 22mm. Adjustment made by rotating**

**the threaded hook to extend or contract its reach.**

Temperature range -10°C to +80°C.

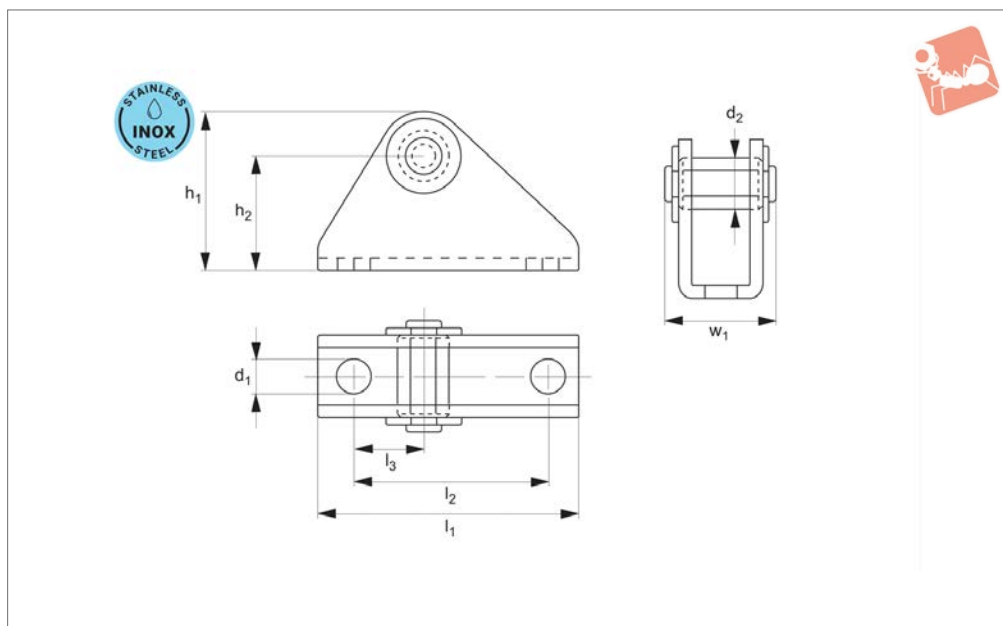
### Tips

See part no. 41791.W0313 for fixed catch.

Order No.	Size	F <sub>1</sub> kN	h <sub>1</sub>	h <sub>2</sub>	h <sub>3</sub>	l <sub>1</sub>	l <sub>2</sub>	l <sub>3</sub>	l <sub>4</sub>	l <sub>5</sub>	l <sub>6</sub>	l <sub>7</sub>	l <sub>8</sub>	w <sub>1</sub>	d <sub>1</sub>	d <sub>2</sub>	Adj. distance	Weight g
41781.W0303	3	1.5	179	37	23	169	98	44-55	38	15-41	52	15-20	29-41	26.5	8	6.5	22	270



### 41791.4



#### Material

Stainless steel (AISI 304, 1.4301), polished.

#### Technical Notes

The adjustment range of the clamp can be

altered by rotating the fixed catch.

Fixing catch for toggle clamp part no. 41791.W0003 Suitable for use in the food industry.

Order No.	Size	$h_1$	$h_2$	$l_1$	$l_2$	$l_3$	$w_1$	$d_1$	$d_2$	Weight g
41791.W0313	3	32	23	52	38	14	22	6.5	10	65

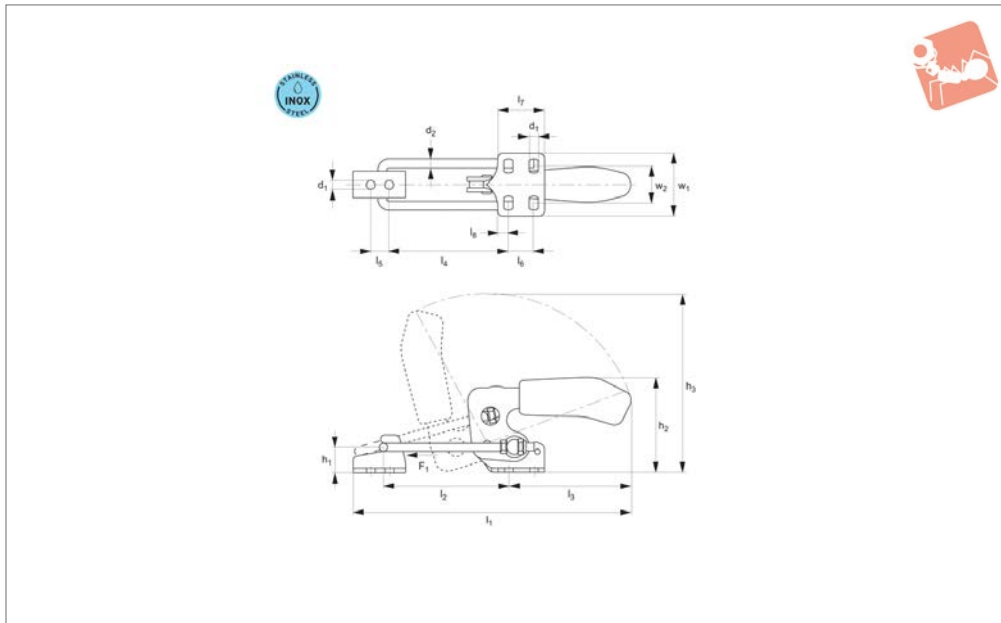




# Latch Type Toggle Clamps

stainless steel - horizontal acting

# Stainless Steel Toggle Clamps



## 41801.4

STAINLESS STEEL TOGGLE CLAMPS

### Material

Body: stainless steel (AISI 304, 1.4301).  
Rivets: stainless steel running in hardened bushes. Pre-lubricated bearings.

Ergonomic soft feel oil-resistant handle with large grip area.

### Technical Notes

Complete with counter strike, see part no. 41811.W0312 - .W0314.  
Temperature range -10°C to +80°C.

Order No.	Size	F <sub>1</sub> kN	h <sub>1</sub>	h <sub>2</sub>	h <sub>3</sub>	l <sub>1</sub> min.	l <sub>1</sub> max.	l <sub>2</sub> min.	l <sub>2</sub> max.	Weight g
41801.W0302	2	1.6	12	47.0	99	125	159	42.0	76	120
41801.W0303	3	3.2	19	71.0	137	170	217	53.5	101	330
41801.W0304	4	7.0	26	94.5	171	212	276	66.0	130	810

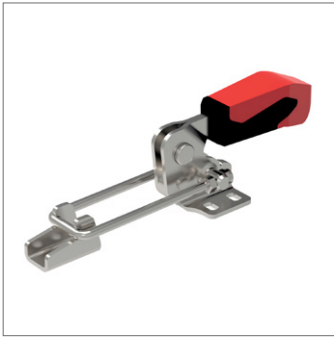
  

Order No.	l <sub>3</sub>	l <sub>4</sub> min.	l <sub>4</sub> max.	l <sub>5</sub>	l <sub>6</sub>	l <sub>7</sub>	l <sub>8</sub>	w <sub>1</sub>	w <sub>2</sub>	d <sub>1</sub>	d <sub>2</sub>
41801.W0302	69	38.0	72	11	13	26.0	6.4	38.0	19,5-23,5	5.2	4
41801.W0303	94	48.5	96	14	19	35.0	8.0	48.0	24,5-32,5	6.5	6
41801.W0304	114	59.0	123	19	32	53.5	9.5	64.5	35,0-46,0	8.5	8

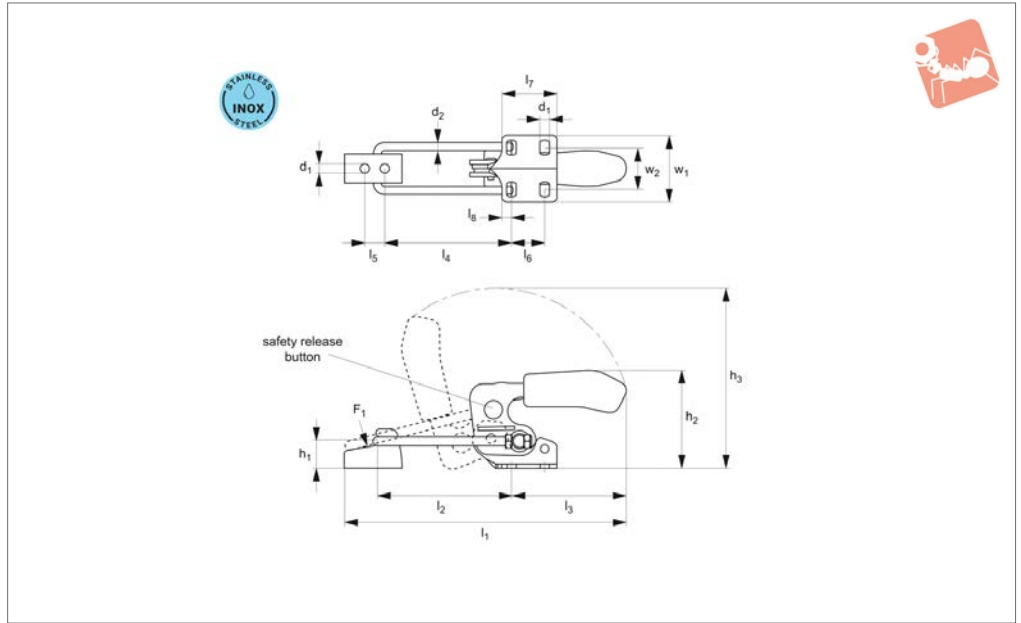
# Stainless Steel Toggle Clamps

## Latch Type Toggle Clamps

stainless - horizontal acting - safety button



**41805.4**



STAINLESS STEEL TOGGLE CLAMPS

**Material**

Body: stainless steel (AISI 304, 1.4301), polished.

Rivets: stainless steel running in hardened bushes. Pre-lubricated bearings.

Ergonomic soft feel oil-resistant handle

with large grip area.

Complete with counter strike.

**Technical Notes**

The safety latch holds the clamp in both the open and the closed position. This

prevents opening under vibration or inadvertent movement of the clamping arm when loading or unloading a fixture. Temperature range -10°C to +80°C.

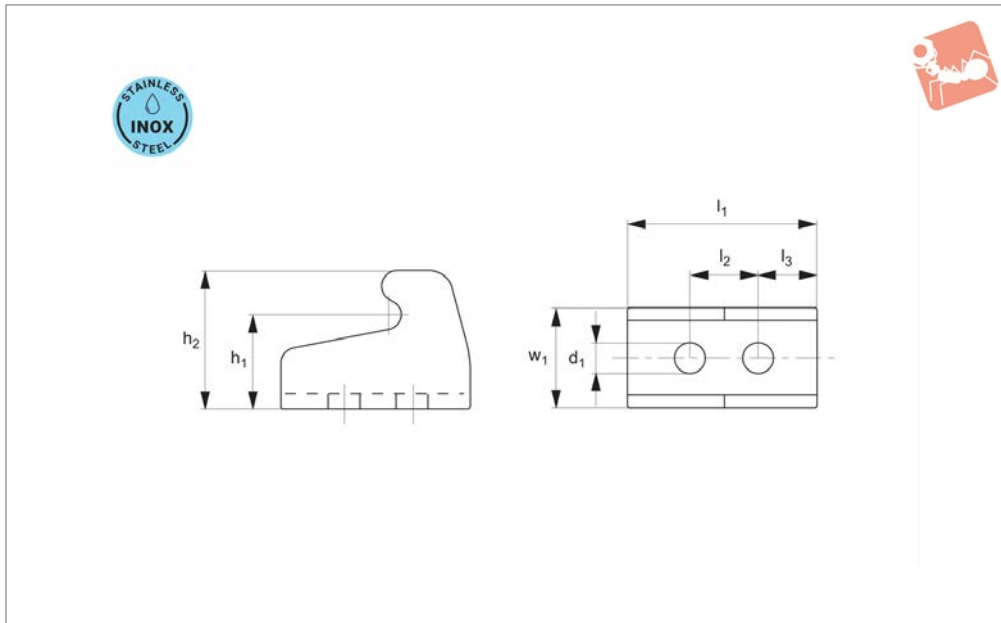
Order No.	Size	F <sub>1</sub> kN	h <sub>1</sub>	h <sub>2</sub>	h <sub>3</sub>	l <sub>1</sub> min.	l <sub>1</sub> max.	l <sub>2</sub> min.	l <sub>2</sub> max.	Weight g	
41805.W0304	4	7.0	26	94	168	209	273	66	130	850	
Order No.	l <sub>3</sub>	l <sub>4</sub> min.	l <sub>4</sub> max.	l <sub>5</sub>	l <sub>6</sub>	l <sub>7</sub>	l <sub>8</sub>	w <sub>1</sub>	w <sub>2</sub>	d <sub>1</sub>	d <sub>2</sub>
41805.W0304	111	59	123	19	32	53.5	9.5	64.5	35-46	8.5	8



# Fixed Catch

stainless steel - for 41811.W0002 - .W0004

# Stainless Steel Toggle Clamps



**41811.4**

STAINLESS STEEL TOGGLE CLAMPS

### Material

Stainless steel (AISI 304, 1.4301), polished.

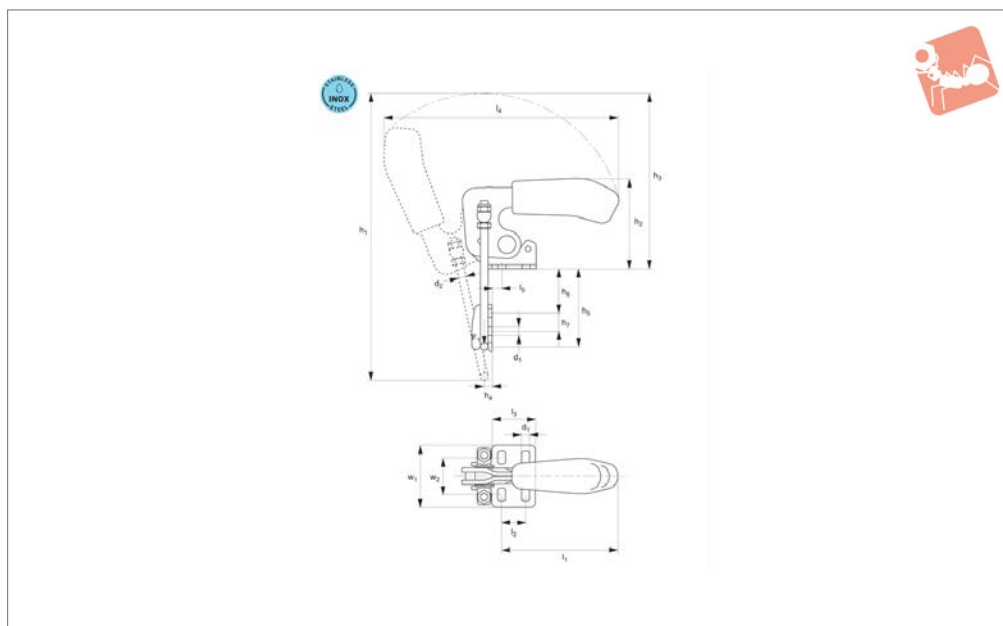
### Technical Notes

Catch for toggle clamp no. 41811.W0002 - .W0004.

Order No.	Size	$h_1$	$h_2$	$l_1$	$l_2$	$l_3$	$w_1$	$d_1$	Weight g
41811.W0312	2	12	18	26	11	8	18	5.2	16
41811.W0313	3	19	28	39	14	12	23	6.5	44
41811.W0314	4	26	38	56	19	17	30	8.5	108



## 41821.4



### Material

Body: stainless steel (AISI 304, 1.4301), polished.

Rivets: stainless steel running in greased bushes.

Ergonomic soft feel oil-resistant handle

with large grip area.

Complete with counter strike.

### Technical Notes

Temperature range -10°C to +80°C.

### Tips

Suitable for use in the food industry.

Also available in steel zinc plated version, see part no. 41821.W0002 - .W0004.

Order No.	Size	F <sub>1</sub> kN	h <sub>1</sub>	h <sub>2</sub>	h <sub>3</sub>	h <sub>4</sub>	h <sub>5</sub> min.	h <sub>5</sub> max.	h <sub>6</sub> min.	Weight g
41821.W0302	2	1.6	150	47.0	99	4.5	24	47	5.0	130
41821.W0303	3	3.2	172	70.0	137	6.0	33	63	6.5	340
41821.W0304	4	7.0	254	94.5	168	8.0	43	81	9.0	810

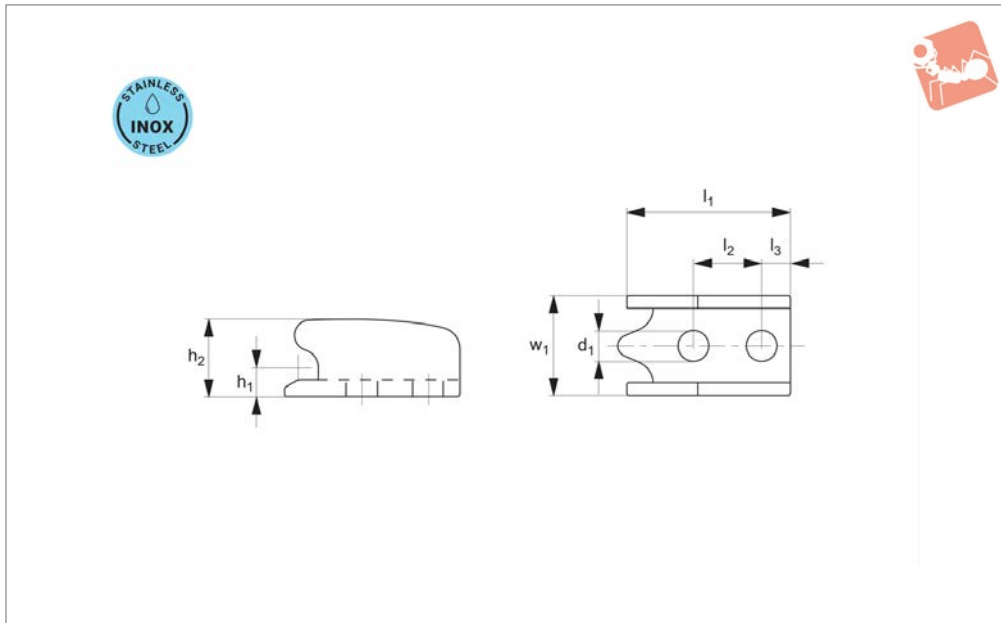
Order No.	h <sub>6</sub> max.	h <sub>7</sub>	l <sub>1</sub>	l <sub>2</sub>	l <sub>3</sub>	l <sub>4</sub>	l <sub>5</sub>	w <sub>1</sub>	w <sub>2</sub>	d <sub>1</sub>	d <sub>2</sub>
41821.W0302	28	11	69	13	26.0	158	6.8	38.0	19,5-23,5	5.2	4
41821.W0303	36	14	93	19	35.0	195	8.0	48.0	24,5-32,5	6.5	6
41821.W0304	47	19	111	32	53.5	239	9.5	64.5	35,0-46,0	8.5	8



# Fixed Catch

stainless steel - for 41821.W0002 - .W0004

# Stainless Steel Toggle Clamps



**41831.4**

STAINLESS STEEL TOGGLE CLAMPS

### Material

Stainless steel (AISI 304, 1.4301), polished.

### Technical Notes

For use with toggle clamp no. 41821.W0302 - .W0304.

Order No.	Size	$h_1$	$h_2$	$l_1$	$l_2$	$l_3$	$w_1$	$d_1$	Weight g
41831.W0312	2	5	12	26	11	5	18	5.2	14
41831.W0313	3	6	16	36	14	7	23	6.5	30
41831.W0314	4	8	22	48	19	9	30	8.5	66

# Stainless Steel Toggle Clamps

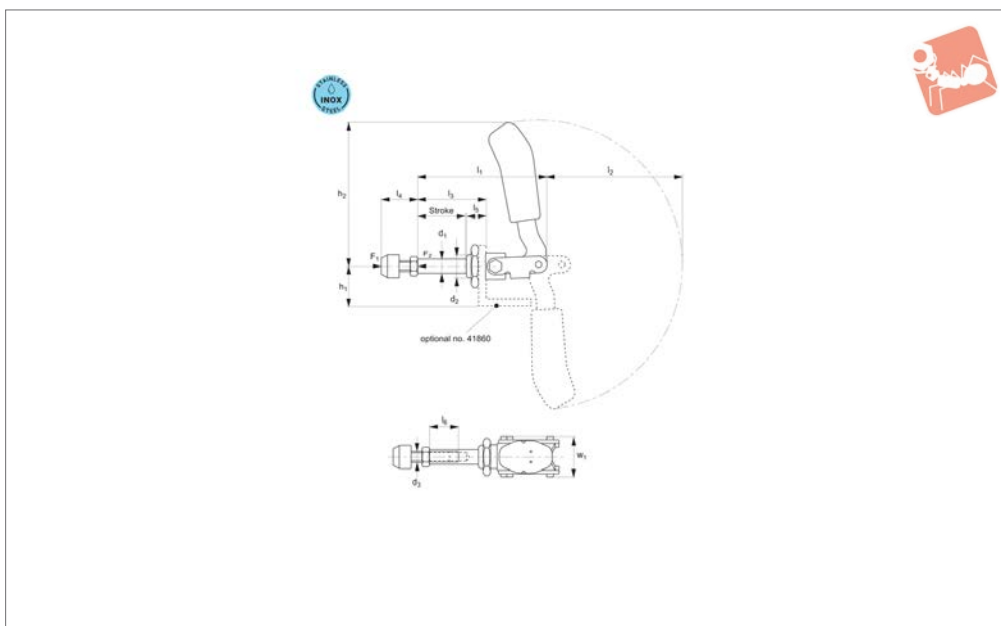
## Push-Pull Toggle Clamps stainless steel - compact version



STAINLESS STEEL TOGGLE CLAMPS



### 41840.4



#### Material

Body: stainless steel (AISI 304, 1.4301), polished.

Rivets: stainless steel running in hardened bushes. Pre-lubricated bearings.

Ergonomic soft feel oil-resistant handle with large grip area.

Supplied complete with stainless clamping screw (with rubber pad).

#### Technical Notes

Compact version with long rod guide. Temperature range -10°C to +80°C.

Order No.	Size	F <sub>1</sub> kN	F <sub>2</sub> kN	Clamping screw	Stroke s <sub>1</sub>	h <sub>1</sub>	h <sub>2</sub>	l <sub>1</sub>	l <sub>2</sub>	Weight g
41840.W0302	2	1.0	1.0	M 6x25	21.5	24	73.0	68.5	69	130
41840.W0303	3	2.5	2.5	M 8x35	40.0	33	120.5	108.0	115	320
41840.W0305	5	4.0	4.0	M12x50	67.0	37	149.0	175.0	139	1200

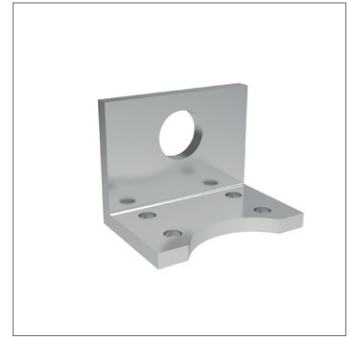
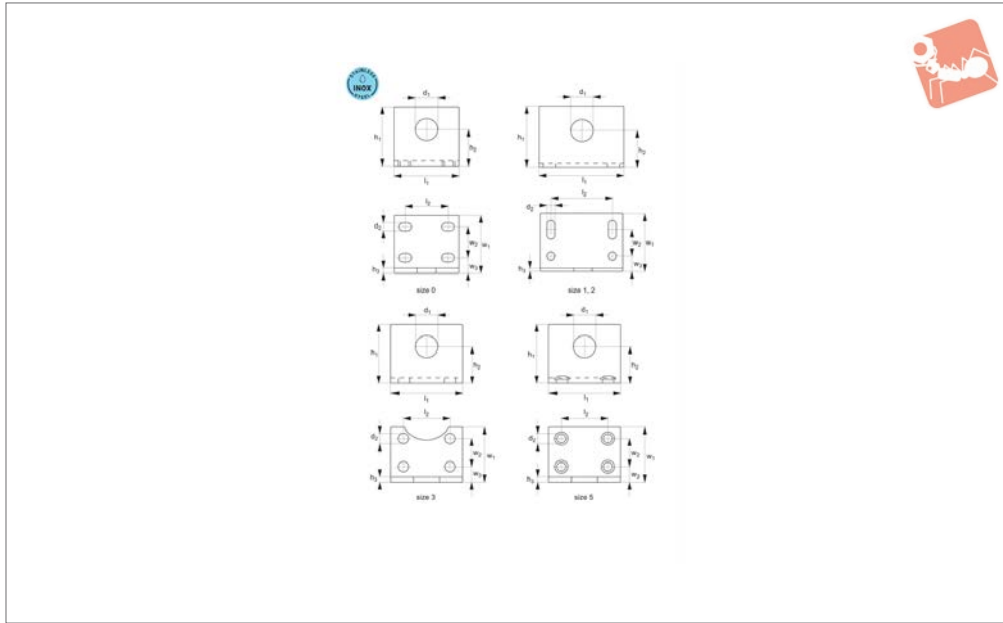
Order No.	l <sub>3</sub>	l <sub>4</sub> min.	l <sub>4</sub> max.	l <sub>5</sub>	l <sub>6</sub>	w <sub>1</sub>	d <sub>1</sub>	d <sub>2</sub>	d <sub>3</sub>
41840.W0302	36	17	27.0	13	15	30.5	10	M16x1,5	M 6
41840.W0303	57	22	37.5	16	25	33.0	12	M20x1,5	M 8
41840.W0305	92	30	50.0	24	45	49.0	16	M24x1,5	M12



# Angle Plates

stainless steel - for no's. 41840 and 41890

# Stainless Steel Toggle Clamps



**41880.4**

STAINLESS STEEL TOGGLE CLAMPS

**Material**

Stainless steel (AISI 304, 1.4301), polished.

**Technical Notes**

The increased height of the centre line

allows a wide range of applications. Fastening by means of four screws.

For use with toggle clamp nos. 41840. W0002- .W0005 and 41890.W0000- . W0003.

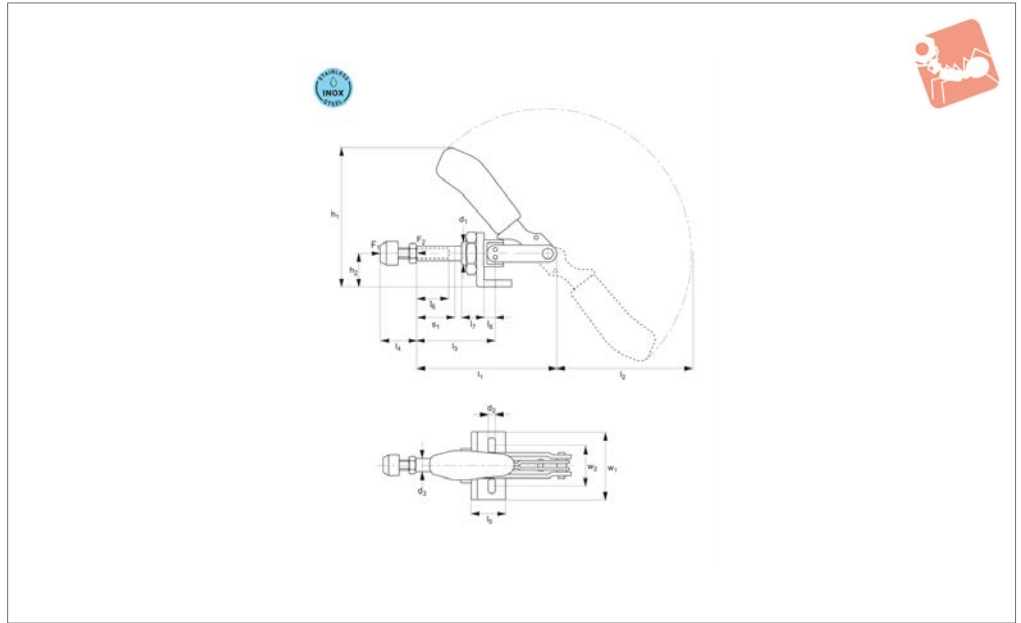
Order No.	Size	h <sub>1</sub>	h <sub>2</sub>	h <sub>3</sub>	l <sub>1</sub>	l <sub>2</sub>	w <sub>1</sub>	w <sub>2</sub>	w <sub>3</sub>	d <sub>1</sub>	d <sub>2</sub>	Weight g
41880.W0300	0	23	13	3	30	15,5-20,5	30	16	9.0	10.2	4.5	35
41880.W0302	2	40	24	5	60	40.0	40	18	11.0	16.2	6.7	170
41880.W0303	3	50	33	6	65	41.0	44	19	14.5	20.2	6.7	260
41880.W0305	5	60	37	8	70	45.0	60	32	17.0	24.0	9.0	480

# Stainless Steel Toggle Clamps

## Push-Pull Toggle Clamps stainless steel - angle bracket



**41890**



STAINLESS STEEL TOGGLE CLAMPS

**Material**

Body: stainless steel (AISI 304, 1.4301), polished.

Rivets: stainless steel running in hardened bushes. Pre-lubricated bearings.

Ergonomic soft feel, oil-resistant handle

with large grip area.

Supplied complete with stainless clamping screw (with rubber pad).

**Technical Notes**

Long clamping stroke. Lever can be set to

any angle relative to base.

Suitable for use in the food industry.

Temperature range -10°C to +80°C.

Order No.	Size	F <sub>1</sub> kN	F <sub>2</sub> kN	Clamping screw	Stroke s <sub>1</sub>	h <sub>1</sub>	h <sub>2</sub>	l <sub>1</sub>	l <sub>2</sub>	Weight g
41890.W0000	0	0.8	0.8	M 4x20	16	49.3	12	66.5	54	65
41890.W0003	3	2.5	2.5	M 8x35	32	110.0	25	140.0	132	445

Order No.	l <sub>3</sub> min.	l <sub>3</sub> max.	l <sub>4</sub> min.	l <sub>4</sub> max.	l <sub>5</sub>	l <sub>6</sub>	l <sub>7</sub>	l <sub>8</sub>	w <sub>1</sub>	w <sub>2</sub>	d <sub>1</sub>	d <sub>2</sub>	d <sub>3</sub>
41890.W0000	17	33	12	20	16	13	10	6.5	25	16.0	M10x1,0	4.5	6.5
41890.W0003	37	69	22	35	30	30	22	13.0	60	29,5-42,5	M20x1,5	6.5	12.0